



Chipsmall Limited consists of a professional team with an average of over 10 year of expertise in the distribution of electronic components. Based in Hongkong, we have already established firm and mutual-benefit business relationships with customers from,Europe,America and south Asia,supplying obsolete and hard-to-find components to meet their specific needs.

With the principle of “Quality Parts,Customers Priority,Honest Operation,and Considerate Service”,our business mainly focus on the distribution of electronic components. Line cards we deal with include Microchip,ALPS,ROHM,Xilinx,Pulse,ON,Everlight and Freescale. Main products comprise IC,Modules,Potentiometer,IC Socket,Relay,Connector.Our parts cover such applications as commercial,industrial, and automotives areas.

We are looking forward to setting up business relationship with you and hope to provide you with the best service and solution. Let us make a better world for our industry!



## Contact us

Tel: +86-755-8981 8866 Fax: +86-755-8427 6832

Email & Skype: info@chipsmall.com Web: www.chipsmall.com

Address: A1208, Overseas Decoration Building, #122 Zhenhua RD., Futian, Shenzhen, China



# 3M™ Mini-Clamp Socket

2 mm Boardmount, Straight Solder Tails

372 Series



- Compact design saves board space
- High number of mating cycles
- Mating latch features provide a reliable interconnection in demanding applications
- Enables easy and simple interconnecting of sensors or other devices
- Dust cap accessory available for use in harsh environments
- RoHS Compliant. See the Regulatory Information Appendix (RIA) in the “RoHS Compliance” section of [www.3Mconnector.com](http://www.3Mconnector.com) for compliance

Date Modified: September 3, 2010

TS-2093-E  
Sheet 1 of 5

---

## Physical

**Insulation:**

Material: Nylon  
Flammability: UL 94V-0  
Color: Black

**Contact:**

Material: Copper Alloy

**Plating:**

Underplating: 2.54  $\mu\text{m}$  [100  $\mu\text{”}$ ] minimum Nickel  
Wiping Area: 0.2  $\mu\text{m}$  [8  $\mu\text{”}$ ] minimum Gold with Lubricant

Soldertails: Gold Flash

**Marking:** 3M Logo, Position Indicator, Insulator Material

**Mating Compatibility:** 37103, 37104, 37106, 37108 Series. Must have same number of pins per row.

---

## Electrical

**Current Rating:** 3.0 Amps

**Voltage Rating:** 32 Volts

**Insulation Resistance:**  $>1 \times 10^6 \sim$  at 600  $V_{DC}$

**Withstanding Voltage:** 1,000  $V_{RMS}$  at sea level

---

## Environmental

**Temperature Rating:** -20°C to +85°C ambient (1.0 A max.)  
-20°C to +75°C ambient (2.0 A max.)  
-20°C to +60°C ambient (3.0 A max.)  
(Note: UL rating is 65°C at 3.0A, 32V)

**Process Rating:** 260°C max. for wave solder reflow  
390°C max. for soldering iron

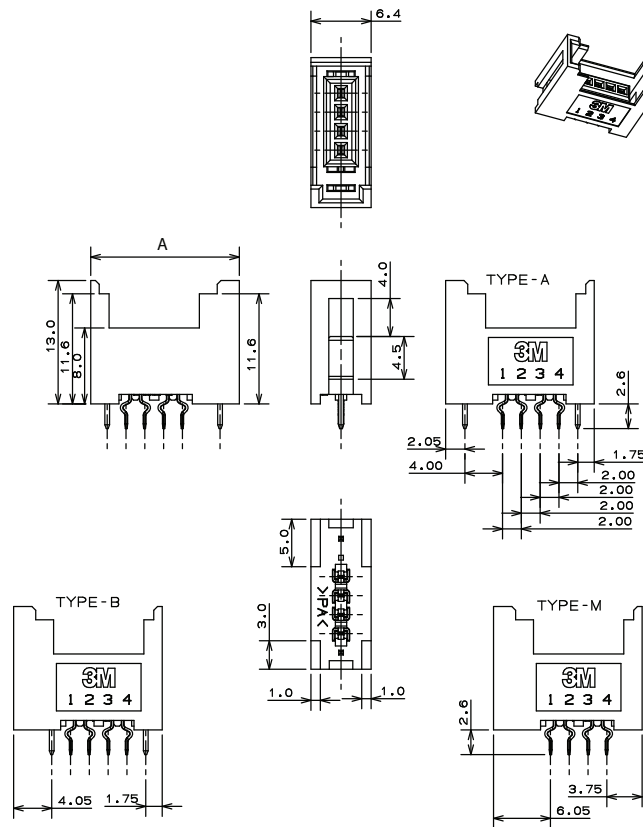
UL File No.: E68080

# 3M™ Mini-Clamp Socket

2 mm Boardmount, Straight Solder Tails

372 Series

## Single Row Style 3 and 4 position



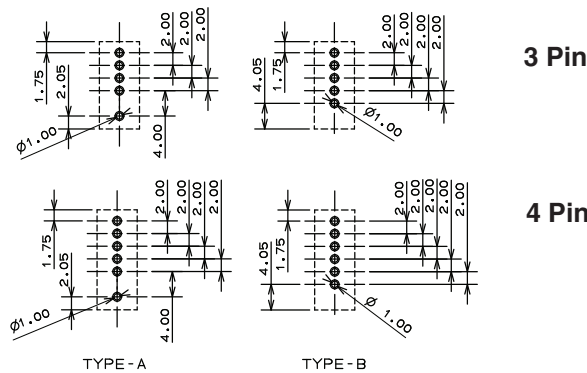
Pins	A
3	13.8 [0.54]
4	15.8 [0.62]

mm [inch]	
Tolerance Unless Noted	
mm	± .1
inch	± .010

[ ] Dimensions for Reference only



## Recommended Hole Pattern



## Ordering Information

**372XX - 62X3 - 00X PL** (RIA E1 & C1 apply)

Available Combinations:

- 37203-62A3-003 PL
- 37203-62B3-003 PL
- 37204-62A3-004 PL
- 37204-62B3-004 PL

Positions  
03 or 04

Positions / Pins per Row:  
3 or 4

Post Options:

- A = 2 Asymmetric Posts
- B = 2 Symmetrical Posts

TS-2093-E  
Sheet 2 of 5

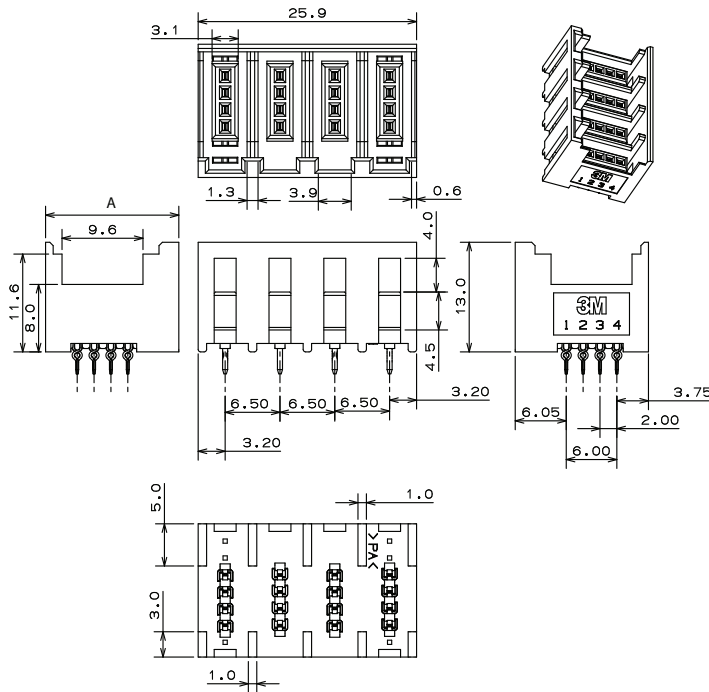


# 3M™ Mini-Clamp Socket

2 mm Boardmount, Straight Solder Tails

372 Series

## Four Row Style 12 or 16 position

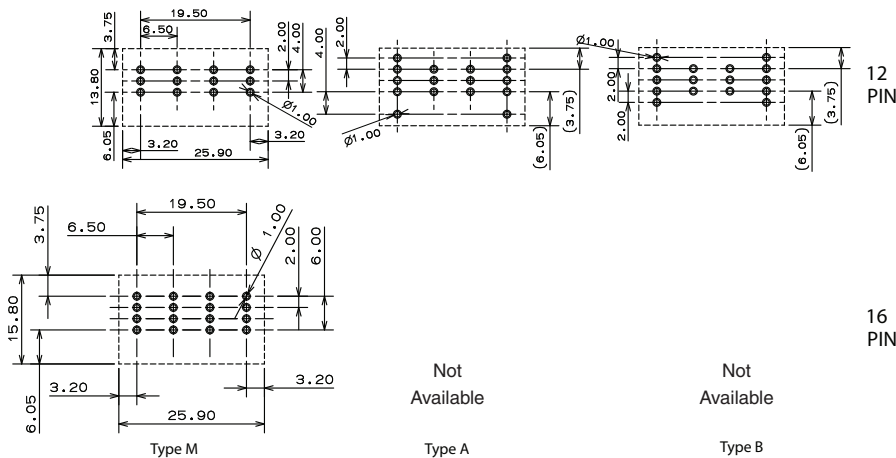


Pins	A
12	13.8 [0.54]
16	15.8 [0.62]

mm [inch]		
Tolerance Unless Noted		
	0.0	0.00
mm	± .1	± .10

[ ] Dimensions for Reference only

### Recommended Hole Pattern



## Ordering Information

**372XX - 62X3 - 00X PL** (RIA E1 & C1 apply)

Available Combinations:

- 37212-62M3-003 PL
- 37212-62A3-003 PL
- 37212-62B3-003 PL
- 37216-62M3-004 PL

Positions  
12 or 16

Post Options:

- M = No Posts
- A = 2 Asymmetric Posts (12 Pos. Only)
- B = 2 Symmetrical Posts (12 Pos. Only)

Positions / Pins per Row:  
3 or 4

TS-2093-E  
Sheet 4 of 5

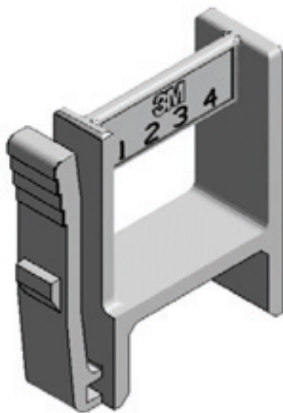
# 3M™ Mini-Clamp Socket

2 mm Boardmount, Straight Solder Tails

372 Series

## Accessories

### Dust Cover Accessory



Ordering Information:  
3 pos - 37803-1000-00  
4 pos - 37804-1000-00

TS-2093-E  
Sheet 5 of 5

**Important Notice**

All statements, technical information, and recommendations related to 3M's products are based on information believed to be reliable, but the accuracy or completeness is not guaranteed. Before using this product, you must evaluate it and determine if it is suitable for your intended application. You assume all risks and liability associated with such use. Any statements related to the product which are not contained in 3M's current publications, or any contrary statements contained on your purchase order shall have no force or effect unless expressly agreed upon, in writing, by an authorized officer of 3M.

**Warranty; Limited Remedy; Limited Liability.**

This product will be free from defects in material and manufacture for a period of one (1) year from the time of purchase. **3M MAKES NO OTHER WARRANTIES INCLUDING, BUT NOT LIMITED TO, ANY IMPLIED WARRANTY OF MERCHANTABILITY OR FITNESS FOR A PARTICULAR PURPOSE.** If this product is defective within the warranty period stated above, your exclusive remedy shall be, at 3M's option, to replace or repair the 3M product or refund the purchase price of the 3M product. **Except where prohibited by law, 3M will not be liable for any indirect, special, incidental or consequential loss or damage arising from this 3M product, regardless of the legal theory asserted.**

**3M Electronics Solutions Division**

6801 River Place Blvd.  
Austin, TX 78726-9000  
U.S.A.  
1-800-225-5373  
[www.3Mconnector.com](http://www.3Mconnector.com)

Please recycle. Printed in USA.  
© 3M 2010. All rights reserved.  
RIA-2217B-E

3M is a trademark of 3M Company.