



Chipsmall Limited consists of a professional team with an average of over 10 year of expertise in the distribution of electronic components. Based in Hongkong, we have already established firm and mutual-benefit business relationships with customers from,Europe,America and south Asia,supplying obsolete and hard-to-find components to meet their specific needs.

With the principle of “Quality Parts,Customers Priority,Honest Operation,and Considerate Service”,our business mainly focus on the distribution of electronic components. Line cards we deal with include Microchip,ALPS,ROHM,Xilinx,Pulse,ON,Everlight and Freescale. Main products comprise IC,Modules,Potentiometer,IC Socket,Relay,Connector.Our parts cover such applications as commercial,industrial, and automotives areas.

We are looking forward to setting up business relationship with you and hope to provide you with the best service and solution. Let us make a better world for our industry!



Contact us

Tel: +86-755-8981 8866 Fax: +86-755-8427 6832

Email & Skype: info@chipsmall.com Web: www.chipsmall.com

Address: A1208, Overseas Decoration Building, #122 Zhenhua RD., Futian, Shenzhen, China



inspired LED

24V 3.75 Amp DC Plug-in Power Supply

Inspired LED's **24V 3.75 Amp Plug-in Power Supply** is a simple, hassle-free way to power 24V DC LEDs. Featuring our standard 3.5mm x 1.3mm output, and a detachable power cable, this product combines easily with other 24V Inspired LED products to create the perfect plug-and-play lighting system for your home or business!



Product Features:

- Manufactured by BILLION (Model: BA090-240375MAX)
- Convenient plug & play install
- Central transformer
- Detachable outlet plug cable
- Level VI Compliant
- UL listed: E221886
- For indoor use



Specifications:

- 2.37" (W) x 1.31" (H) x 6.07" (L)
- 48" attached cable with 3.5mm x 1.3mm connector
- 48" detachable cable with grounded three prong outlet plug
- Input: 100 - 240V AC, ~2 AMP, 50/60Hz
- Output: 24V DC, 3.75 AMP
- Internal white sleeve houses (+) polarity

SKU #3781

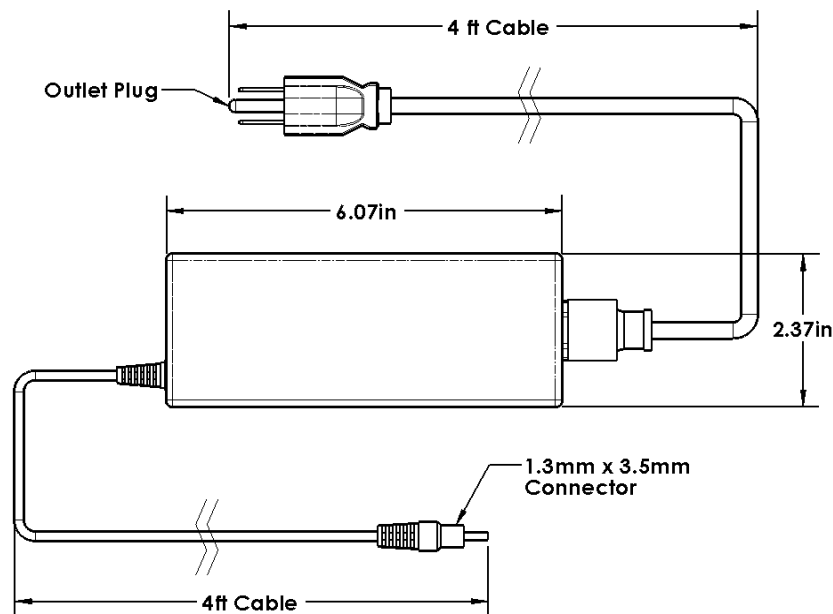
Instructions:

1. Install 24V LED lights and other system components according to their instructions
2. Connect detachable cable with standard outlet plug into the corresponding jack on the side of power supply
3. Connect 3.5 x 1.3mm plug into first run of 24V LED lights
4. Plug power supply into standard wall outlet and test system functionality

Power Requirements:

24V LED Flex	240 Ω LED	100 Ω LED	75 Ω LED
Max Length on 3.75 Amp (90 Watt)	405.5"	202.75"	145.75"
Max Length before Voltage Drop	244"	151.5"	130"

**Please Note: LED strips can be powered from center to prevent voltage drop. Power requirements will vary slightly based upon system configuration, contact us directly for more information on powering large or complex systems.*



inspiredled.com



orders@inspiredled.com



(480) 941-4286