



Chipsmall Limited consists of a professional team with an average of over 10 year of expertise in the distribution of electronic components. Based in Hongkong, we have already established firm and mutual-benefit business relationships with customers from,Europe,America and south Asia,supplying obsolete and hard-to-find components to meet their specific needs.

With the principle of “Quality Parts,Customers Priority,Honest Operation,and Considerate Service”,our business mainly focus on the distribution of electronic components. Line cards we deal with include Microchip,ALPS,ROHM,Xilinx,Pulse,ON,Everlight and Freescale. Main products comprise IC,Modules,Potentiometer,IC Socket,Relay,Connector.Our parts cover such applications as commercial,industrial, and automotives areas.

We are looking forward to setting up business relationship with you and hope to provide you with the best service and solution. Let us make a better world for our industry!



Contact us

Tel: +86-755-8981 8866 Fax: +86-755-8427 6832

Email & Skype: info@chipsmall.com Web: www.chipsmall.com

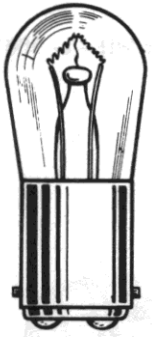
Address: A1208, Overseas Decoration Building, #122 Zhenhua RD., Futian, Shenzhen, China



Large Incandescent Indicators

MOUNT IN 1" CLEARANCE HOLE
FOR 24 TO 250V OPERATION

PER MIL- L-3661B



S 6
DOUBLE CONTACT
BAYONET BASE

See lamp ratings
on page K.

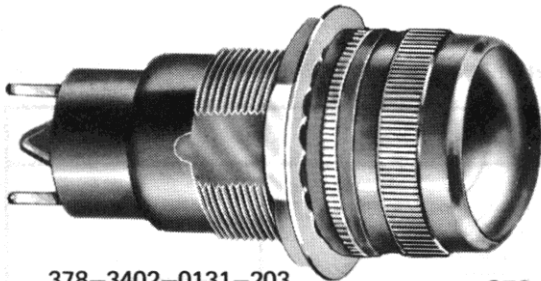
Recognized under the component
program of Underwriters'
Laboratories Inc.

75W., 125V.



MATERIALS FINISHES

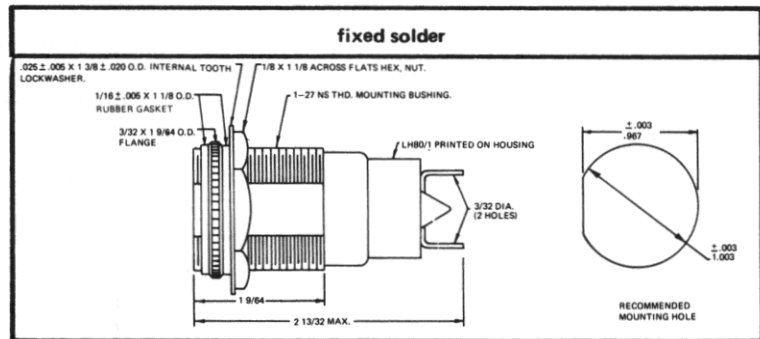
- Mounting Bushing: Black nickel finish.
- Lens Holder and Knurled Flange Ring: Black nickel finish.
- Mounting Nut: Brass, white nickel finish.
- Internal-tooth Lockwasher: Phosphor bronze, white nickel finish.
- Terminals: Solder – brass, hot tinned.



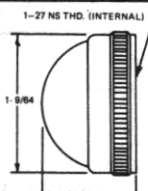
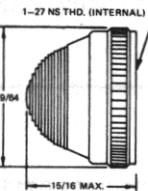
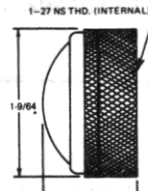
378-3402-0131-203
Convex lens

378 SERIES
379 SERIES
380 SERIES
381 SERIES

BASE PART NUMBER



(LH80/1) 378-3402-01-203

CAP PART NUMBER	COMPLETE ASSEMBLY PART NUMBERS
 <p>1-27 NS THD. (INTERNAL)</p> <p>1-9/64</p> <p>13/16 MAX.</p> <p>CONVEX LC21 51-0131-203 transparent</p>	378-3402-0131-203
 <p>1-27 NS THD. (INTERNAL)</p> <p>1-9/64</p> <p>15/16 MAX.</p> <p>TORPEDO LC22 80-0531-203 transparent</p>	379-3402-0531-203
 <p>1-27 NS THD. (INTERNAL)</p> <p>1-9/64</p> <p>15/16 MAX.</p> <p>CONVEX Mech. Dimmer LC23 209-0131-203 Complete blackout LC24 210-0131-203 Semi-blackout</p>	380-3402-0131-203 381-3402-0131-203

Order complete with lamp to be assured of receiving the indicator light and correct lamp together for immediate use.