



Chipsmall Limited consists of a professional team with an average of over 10 year of expertise in the distribution of electronic components. Based in Hongkong, we have already established firm and mutual-benefit business relationships with customers from,Europe,America and south Asia,supplying obsolete and hard-to-find components to meet their specific needs.

With the principle of “Quality Parts,Customers Priority,Honest Operation,and Considerate Service”,our business mainly focus on the distribution of electronic components. Line cards we deal with include Microchip,ALPS,ROHM,Xilinx,Pulse,ON,Everlight and Freescale. Main products comprise IC,Modules,Potentiometer,IC Socket,Relay,Connector.Our parts cover such applications as commercial,industrial, and automotives areas.

We are looking forward to setting up business relationship with you and hope to provide you with the best service and solution. Let us make a better world for our industry!



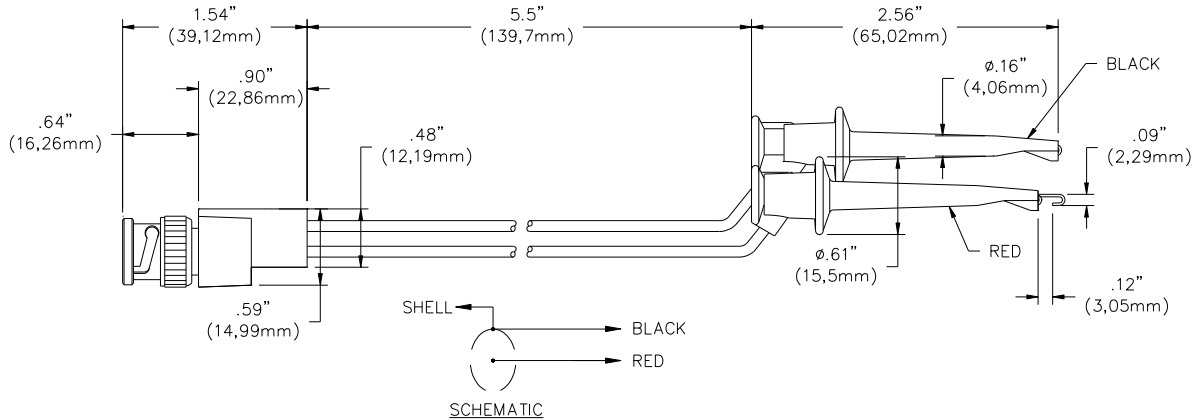
Contact us

Tel: +86-755-8981 8866 Fax: +86-755-8427 6832

Email & Skype: info@chipsmall.com Web: www.chipsmall.com

Address: A1208, Overseas Decoration Building, #122 Zhenhua RD., Futian, Shenzhen, China





FEATURES:

- Minigrabber® test clip hooks attach to terminal sizes up to .060" diameter
- Converts BNC (Female) jacks to Minigrabber test clips for test versatility
- BNC connector and Minigrabber test clip caps are molded directly onto the wire for pull strength durability and dust and moisture resistance
- Grabber hook and BNC center contact are Gold-plated Beryllium Copper for optimum strength, excellent corrosion resistance and low contact resistance to ensure test signal integrity
- Schematic: Black Minigrabber test clip to BNC shell, red Minigrabber test clip to BNC center contact

MATERIALS:

BNC: Nickel plated brass

Center Contact: Gold-plated brass

Insulation: polypropylene molded to BNC and wire

Wire: 20 AWG, PVC

Marking: "POMONA 3789"

Minigrabber® test clip:

Contact: Gold-plated Beryllium Copper,

Insulation: Glass filled nylon, color: red and black

Marking: "Pomona Electronics", "Minigrabber®"

RATINGS:

Operating Temperature: +55°C (+131°F) Max.

Operating Voltage: Hand-held testing: 30VAC/60VDC Max.

Hands free testing in controlled voltage environments: 300VRMS Max.

ORDERING INFORMATION: Model 3789

*Custom lengths are available, contact Pomona Technical support: 800-241-2060 (Technicalsupport@pomonatest.com)

All dimensions are in inches. Tolerances (except noted): .xx = ±.02" (.51 mm), .xxx = ±.005" (.127 mm).

All specifications are to the latest revisions. Specifications are subject to change without notice.

Registered trademarks are the property of their respective companies.