



Chipsmall Limited consists of a professional team with an average of over 10 year of expertise in the distribution of electronic components. Based in Hongkong, we have already established firm and mutual-benefit business relationships with customers from,Europe,America and south Asia,supplying obsolete and hard-to-find components to meet their specific needs.

With the principle of "Quality Parts,Customers Priority,Honest Operation,and Considerate Service",our business mainly focus on the distribution of electronic components. Line cards we deal with include Microchip,ALPS,ROHM,Xilinx,Pulse,ON,Everlight and Freescale. Main products comprise IC,Modules,Potentiometer,IC Socket,Relay,Connector.Our parts cover such applications as commercial,industrial, and automotives areas.

We are looking forward to setting up business relationship with you and hope to provide you with the best service and solution. Let us make a better world for our industry!



## Contact us

Tel: +86-755-8981 8866 Fax: +86-755-8427 6832

Email & Skype: info@chipsmall.com Web: www.chipsmall.com

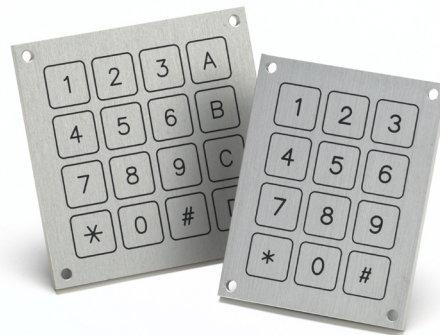
Address: A1208, Overseas Decoration Building, #122 Zhenhua RD., Futian, Shenzhen, China



**SERIES 37F**  
Piezo Keypads

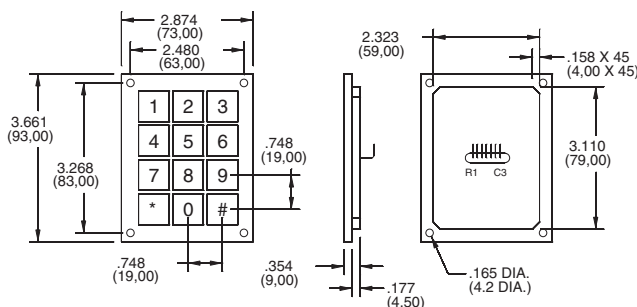
**FEATURES**

- Fully Sealed
- Virtually Indestructible
- Vandal Resistant
- Indoor and Outdoor Use

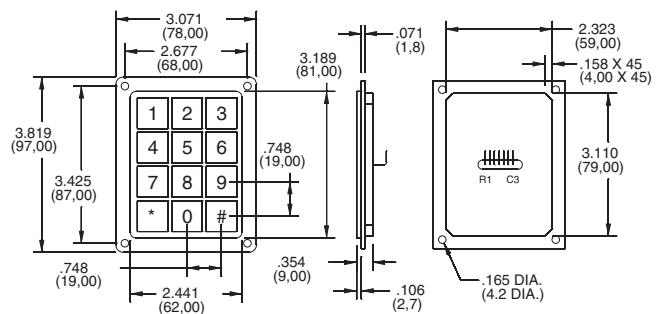


**DIMENSIONS** in inches (and millimeters)

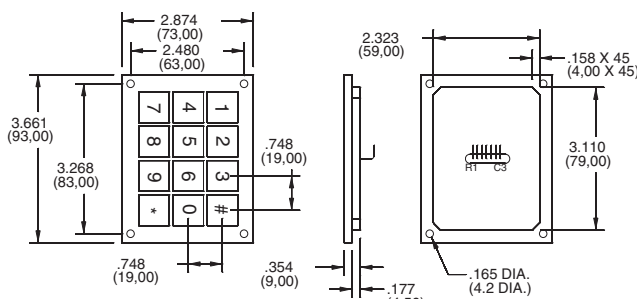
**3x4 Keypad**



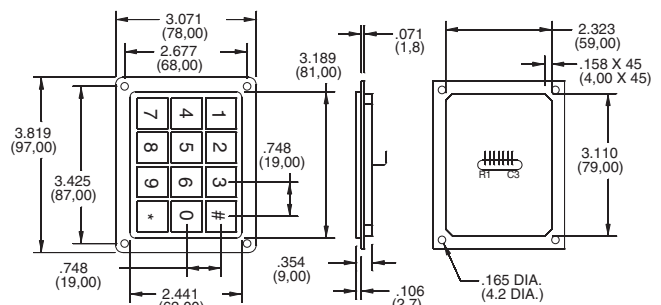
**FRONT MOUNT OPT- #1**



**REAR MOUNT OPT- #3**



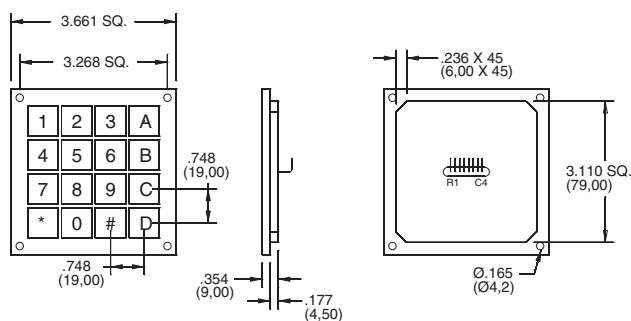
**FRONT MOUNT OPT- #2**



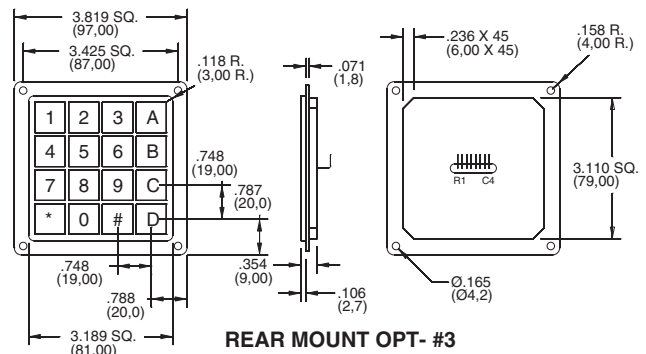
**REAR MOUNT OPT- #4**

**DIMENSIONS** in inches (and millimeters)

**4X4 Keypad**

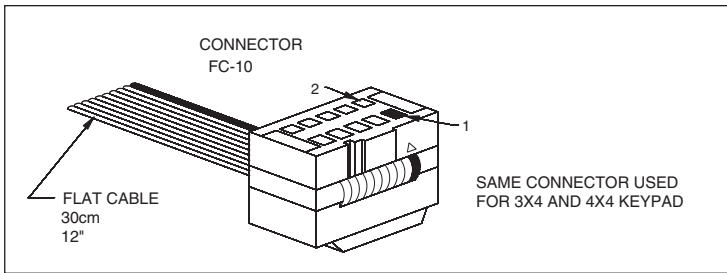


**FRONT MOUNT OPT- #1**



**REAR MOUNT OPT- #3**

CONNECTORS in inches (and millimeters)



Keyboards and Keypads

CODE AND TRUTH TABLES

Truth Table for 3x4 Keypads

SWITCH POSITION	CONNECTOR PIN#						
	1	2	3	4	5	6	7
1				●			●
2				●		●	
3				●	●		
4			●				●
5			●			●	
6			●		●		
7		●					●
8		●				●	
9		●			●		
10	●						●
11	●					●	
12	●			●			

Truth Table for 4x4 Keypads

SWITCH POSITION	CONNECTOR PIN#							
	1	2	3	4	5	6	7	8
1	●				●			
2	●					●		
3	●						●	
4	●							●
5		●			●			
6		●				●		
7		●					●	
8		●						●
9			●		●			
10			●			●		
11			●				●	
12			●					●
13				●	●			
14				●		●		
15				●			●	
16				●				●

SPECIFICATIONS

Rating Criteria  
 Rated Voltage: 0 – 24V AC/DC  
 Rated Current: 0 – 2 Amps.  
 Resistance “ON”: <10 Ohms.  
 Resistance “OFF”: >5 megohms

Switch Capacitance: 25pF  
 Switch Functioning: One Shot  
 Activation Force: 3-5N Typ.  
 Operating Temperature: -40°C to 85°C  
 (40° to 125°C upon requested)

Lifecycle: >50 million  
 EMI or RFI Effect: None  
 Housing Material: Aluminum  
 Protection System: IP68  
 according to IEC 529.

ORDERING INFORMATION

