



Chipsmall Limited consists of a professional team with an average of over 10 year of expertise in the distribution of electronic components. Based in Hongkong, we have already established firm and mutual-benefit business relationships with customers from,Europe,America and south Asia,supplying obsolete and hard-to-find components to meet their specific needs.

With the principle of "Quality Parts,Customers Priority,Honest Operation,and Considerate Service",our business mainly focus on the distribution of electronic components. Line cards we deal with include Microchip,ALPS,ROHM,Xilinx,Pulse,ON,Everlight and Freescale. Main products comprise IC,Modules,Potentiometer,IC Socket,Relay,Connector.Our parts cover such applications as commercial,industrial, and automotives areas.

We are looking forward to setting up business relationship with you and hope to provide you with the best service and solution. Let us make a better world for our industry!



## Contact us

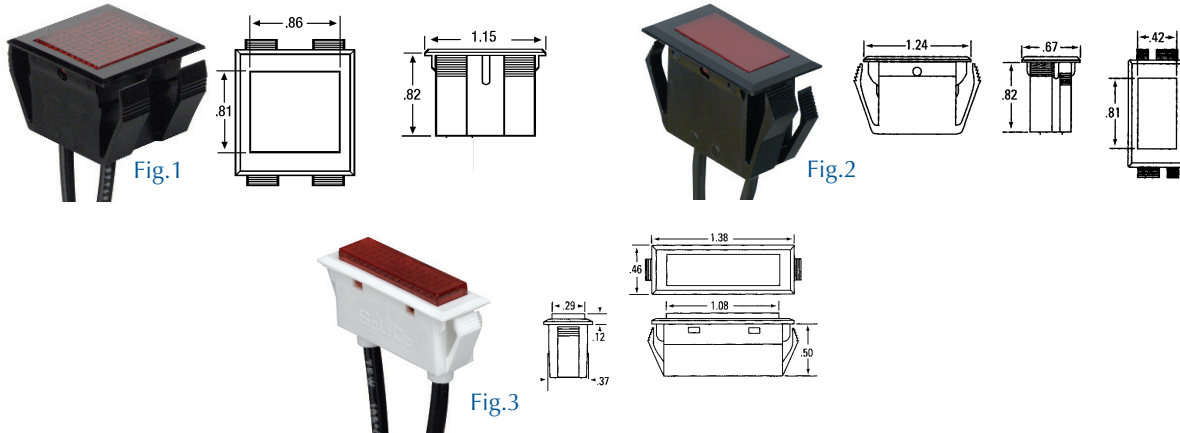
Tel: +86-755-8981 8866 Fax: +86-755-8427 6832

Email & Skype: info@chipsmall.com Web: www.chipsmall.com

Address: A1208, Overseas Decoration Building, #122 Zhenhua RD., Futian, Shenzhen, China



## PANEL LAMPS



### Large Rectangular Snap-in Panel Lamps

These press-to-fit panel lamps are available in several colors and voltages. They are made from Nylon material and have 18 AWG 6" wire leads.

Retail Part No.	Bulk Part No.	Figure No.	Lamp Voltage	Lamp Current	Lamp Type	Lamp Termination	Lamp Life	Lamp Shape	Lamp Color
38-1132-50	38-1132-50BU	1	125V		Neon	Wire Leads	25,000	Square	Red
38-1132-12	38-1132-12BU	1	12V/14V	.08A	Incandescent	Wire Leads	50,000	Square	Red
38-1133-50	38-1133-50BU	1	125V		Neon	Wire Leads	25,000	Square	Amber
38-1133-12	38-1133-12BU	1	12V/14V	.08A	Incandescent	Wire Leads	50,000	Square	Amber
38-1135-50	38-1135-50BU	1	125V		Neon	Wire Leads	25,000	Square	Green
38-1135-12	38-1135-12BU	1	12V/14V	.08A	Incandescent	Wire Leads	50,000	Square	Green
38-1139-50	38-1139-50BU	1	125V		Neon	Wire Leads	25,000	Square	White
38-1139-12	38-1139-12BU	1	12V/14V	.08A	Incandescent	Wire Leads	50,000	Square	White

### Rectangular Snap-in Panel Lamps

This is the most popular of the rectangular lamps used today. The device snaps into a panel cutout with a minimum panel thickness of .020"-.025". All lamps are made of a Nylon material with 18 AWG 6" wire leads.

Retail Part No.	Bulk Part No.	Figure No.	Lamp Voltage	Lamp Current	Lamp Type	Lamp Termination	Lamp Life	Lamp Shape	Lamp Color
38-1022-50	38-1022-50BU	2	125V		Neon	Wire Leads	25,000	Rectangular	Red
38-1022-12	38-1022-12BU	2	12V/14V	.08A	Incandescent	Wire Leads	50,000	Rectangular	Red
38-1023-50	38-1023-50BU	2	125V		Neon	Wire Leads	25,000	Rectangular	Amber
38-1023-12	38-1023-12BU	2	12V/14V	.08A	Incandescent	Wire Leads	50,000	Rectangular	Amber
38-1025-50	38-1025-50BU	2	125V		Neon	Wire Leads	25,000	Rectangular	Green
38-1025-12	38-1025-12BU	2	12V/14V	.08A	Incandescent	Wire Leads	50,000	Rectangular	Green
38-1029-50	38-1029-50BU	2	125V		Neon	Wire Leads	25,000	Rectangular	White
38-1029-12	38-1029-12BU	2	12V/14V	.08A	Incandescent	Wire Leads	50,000	Rectangular	White

### 3/8 Snap-in Rectangular Panel Lamps

Snaps into panel cutout of .375" x 1.28" x 0.5". The Nylon body comes with 6" 18 AWG wire leads.

Retail Part No.	Bulk Part No.	Figure No.	Lamp Voltage	Lamp Current	Lamp Type	Lamp Termination	Lamp Life	Lamp Shape	Lamp Color
38-3002-50	38-3002-50BU	3	125V		Neon	Wire Leads	25,000	Rectangular	Red
38-3003-50	38-3003-50BU	3	125V		Neon	Wire Leads	25,000	Rectangular	Amber
38-3005-50	38-3005-50BU	3	125V		Neon	Wire Leads	25,000	Rectangular	Green