



Chipsmall Limited consists of a professional team with an average of over 10 year of expertise in the distribution of electronic components. Based in Hongkong, we have already established firm and mutual-benefit business relationships with customers from,Europe,America and south Asia,supplying obsolete and hard-to-find components to meet their specific needs.

With the principle of “Quality Parts,Customers Priority,Honest Operation,and Considerate Service”,our business mainly focus on the distribution of electronic components. Line cards we deal with include Microchip,ALPS,ROHM,Xilinx,Pulse,ON,Everlight and Freescale. Main products comprise IC,Modules,Potentiometer,IC Socket,Relay,Connector.Our parts cover such applications as commercial,industrial, and automotives areas.

We are looking forward to setting up business relationship with you and hope to provide you with the best service and solution. Let us make a better world for our industry!



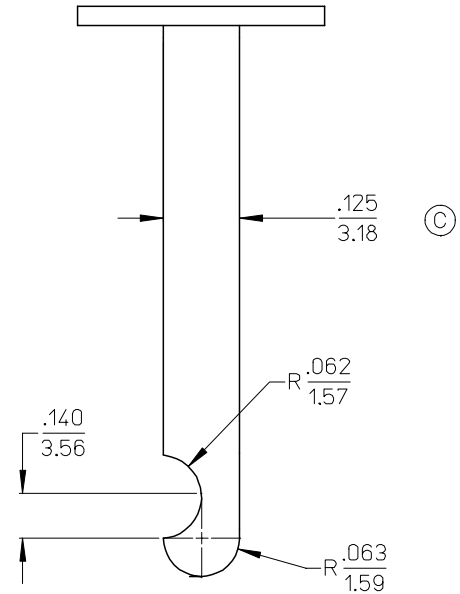
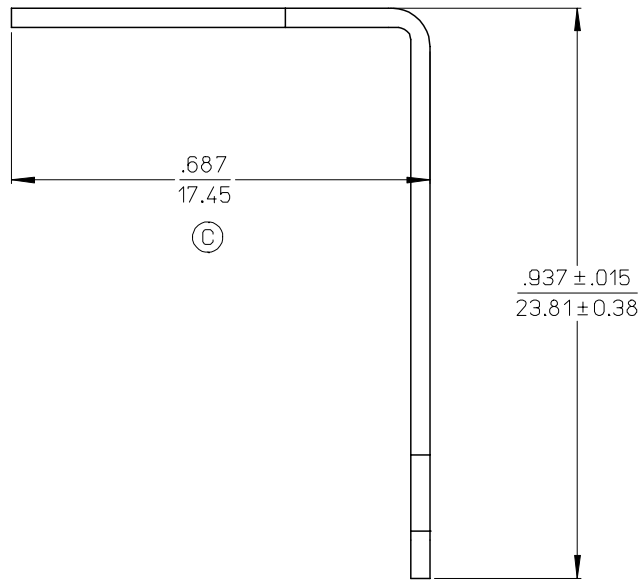
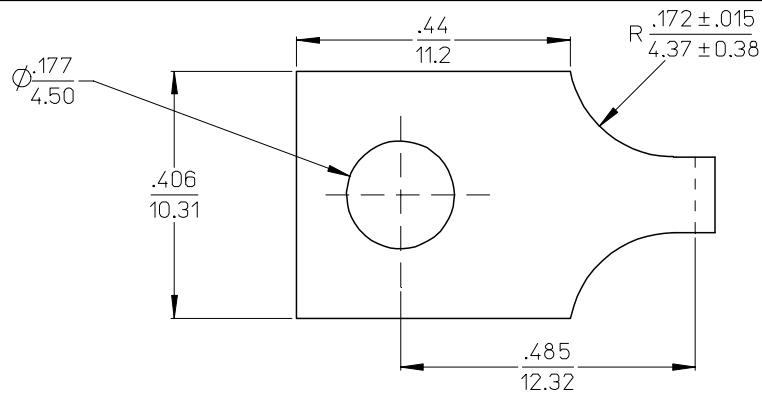
Contact us

Tel: +86-755-8981 8866 Fax: +86-755-8427 6832

Email & Skype: info@chipsmall.com Web: www.chipsmall.com

Address: A1208, Overseas Decoration Building, #122 Zhenhua RD., Futian, Shenzhen, China





NOTES:

1. MATERIAL: BRASS
2. FINISHES: SEE TABLE
3. USED WITH: 2100 & 2200 SERIES TERMINAL STRIPS.
4. PART IS RoHS COMPLIANT

ITEM	QTY.	DESCRIPTION	MATERIAL NO.	ENGINEERING NO.	FINISH
1	1	TERMINAL	38002-0325	2104-0401-A260	TIN
1	1	TERMINAL	38002-0324	2104-0401-A110	PLAIN

CHANGED DIMENSION
 EC NO: ETC2007-0187
 DRWN: JLOMASTRO 2006/11/29
 CHKD: JMACNIEL 2006/11/29
 APPR: JMACNIEL 2006/11/29

QUALITY SYMBOLS
 = 0
 = 0

GENERAL TOLERANCES (UNLESS SPECIFIED)

	mm	INCH
4 PLACES	± ---	± .0015
3 PLACES	± 0.038	± .005
2 PLACES	± 0.13	± .01
1 PLACE	± 0.25	± ---

ANGULAR ± 2 °

DRAFT WHERE APPLICABLE
 MUST REMAIN WITHIN DIMENSIONS

DIMENSION STYLE IN/MM

DRAWN BY	DATE
HCH	69/08/20
CHECKED BY	DATE
RNEFF	69/08/20
APPROVED BY	DATE
RNEFF	69/08/20

MATERIAL NO. SEE CHART

SCALE 5:1

DESIGN UNITS INCH

THIRD ANGLE PROJECTION

TITLE TERMINAL, SOLDER Y SHORT CAT #2131

MOLEX MOLEX INCORPORATED

DOCUMENT NO. SD-38002-022

SHEET NO. 1 OF 1

THIS DRAWING CONTAINS INFORMATION THAT IS PROPRIETARY TO MOLEX INCORPORATED AND SHOULD NOT BE USED WITHOUT WRITTEN PERMISSION