



Chipsmall Limited consists of a professional team with an average of over 10 year of expertise in the distribution of electronic components. Based in Hongkong, we have already established firm and mutual-benefit business relationships with customers from,Europe,America and south Asia,supplying obsolete and hard-to-find components to meet their specific needs.

With the principle of “Quality Parts,Customers Priority,Honest Operation,and Considerate Service”,our business mainly focus on the distribution of electronic components. Line cards we deal with include Microchip,ALPS,ROHM,Xilinx,Pulse,ON,Everlight and Freescale. Main products comprise IC,Modules,Potentiometer,IC Socket,Relay,Connector.Our parts cover such applications as commercial,industrial, and automotives areas.

We are looking forward to setting up business relationship with you and hope to provide you with the best service and solution. Let us make a better world for our industry!



## Contact us

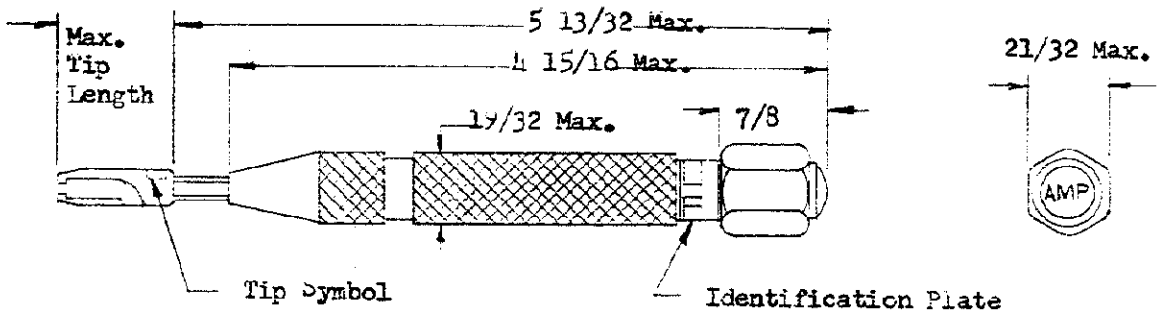
Tel: +86-755-8981 8866 Fax: +86-755-8427 6832

Email & Skype: info@chipsmall.com Web: www.chipsmall.com

Address: A1208, Overseas Decoration Building, #122 Zhenhua RD., Futian, Shenzhen, China



NUMBER  
C-380430



Tool Number	Trip Force	Tip Number	Tip Symbol	Tip Length
* 380430-1	20-22	380429-1	E1	① 1 9/64
380430-2	12-13	380429-1	E1	① 1 9/64
380430-3	12-13	811013-1	L1	1 1/32
* 380430-4	20-22	811013-1	L1	1 1/32

\* 20-22 pound tool to be used exclusively for inserting terminals into receptacles mounted in resilient material.

APPLICATION TOOLING ENGRG.  
CONNECTOR PRODUCTS DIV.

1. For Tool usage, see Instruction Sheet # 7077.
2. For Tip dimensions, see Tip Customer Drawing.
3. For readjustment or replacement of parts other than Tips, return Tool to AMP, Inc., Mt. Joy, Penna. to insure proper calibration.
4. Trip force is the force in pounds, required to trip the tool.

DIMENSIONS IN INCHES. DO NOT SCALE PRINT.

				© 1957 BY AMP INCORPORATED. ALL RIGHTS RESERVED. AMP PRODUCTS COVERED BY PATENTS AND/OR PATENTS PENDING.		<b>CUSTOMER COPY REFERENCE ONLY</b>	
F-1 LOC. M WAS E				Steel-Plated; Aluminum		<b>AMP</b> AMP INCORPORATED HARRISBURG, PENNA.	
F 1 9/64 WAS 1 ON-15-2				Weight 3 1/2 ± 1/2 Oz.		CLASS _____	
E-1 ADDED 20-22" NOTE				WIRE — RANGE — INSULATION		TYPE _____	
E REV & REDRAWN				TOLERANCE EXCEPT AS NOTED		LOC <b>M</b> NO <b>A</b>	
L-TR REVISION RECORD				= .015 = 1° 0'		C-380430	
DR <b>JES</b> 1/15/63				SCALE <b>1/1</b>		REV <b>F-1</b>	
CHK <b>RT</b> 1/15/63				NAME <b>TOOL STANDARD CERTI-LOK INSERTION</b>			