



Chipsmall Limited consists of a professional team with an average of over 10 year of expertise in the distribution of electronic components. Based in Hongkong, we have already established firm and mutual-benefit business relationships with customers from,Europe,America and south Asia,supplying obsolete and hard-to-find components to meet their specific needs.

With the principle of “Quality Parts,Customers Priority,Honest Operation,and Considerate Service”,our business mainly focus on the distribution of electronic components. Line cards we deal with include Microchip,ALPS,ROHM,Xilinx,Pulse,ON,Everlight and Freescale. Main products comprise IC,Modules,Potentiometer,IC Socket,Relay,Connector.Our parts cover such applications as commercial,industrial, and automotives areas.

We are looking forward to setting up business relationship with you and hope to provide you with the best service and solution. Let us make a better world for our industry!



Contact us

Tel: +86-755-8981 8866 Fax: +86-755-8427 6832

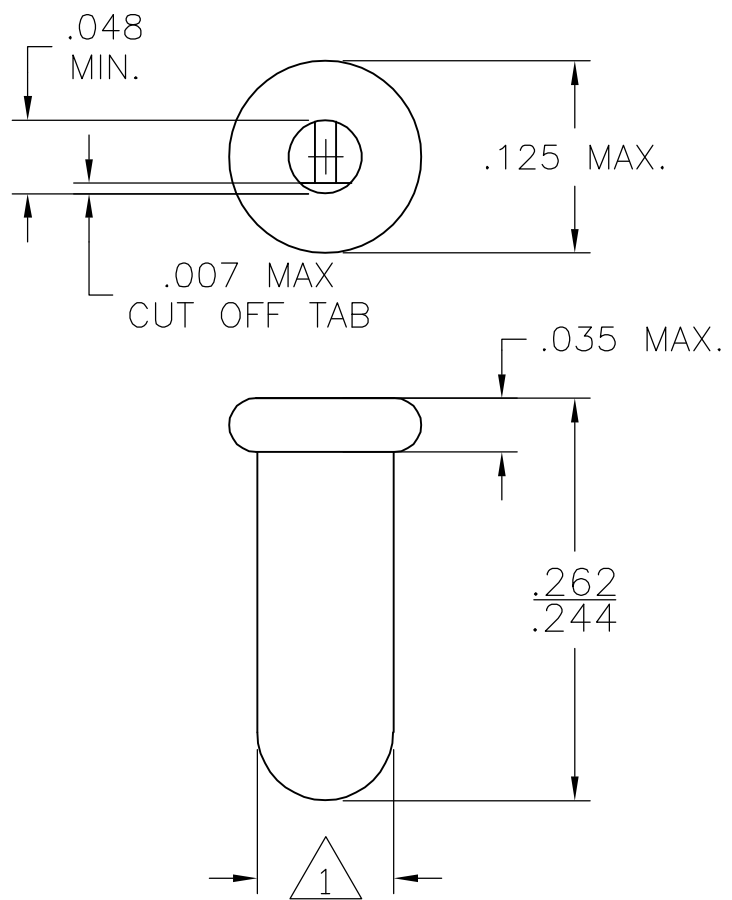
Email & Skype: info@chipsmall.com Web: www.chipsmall.com

Address: A1208, Overseas Decoration Building, #122 Zhenhua RD., Futian, Shenzhen, China



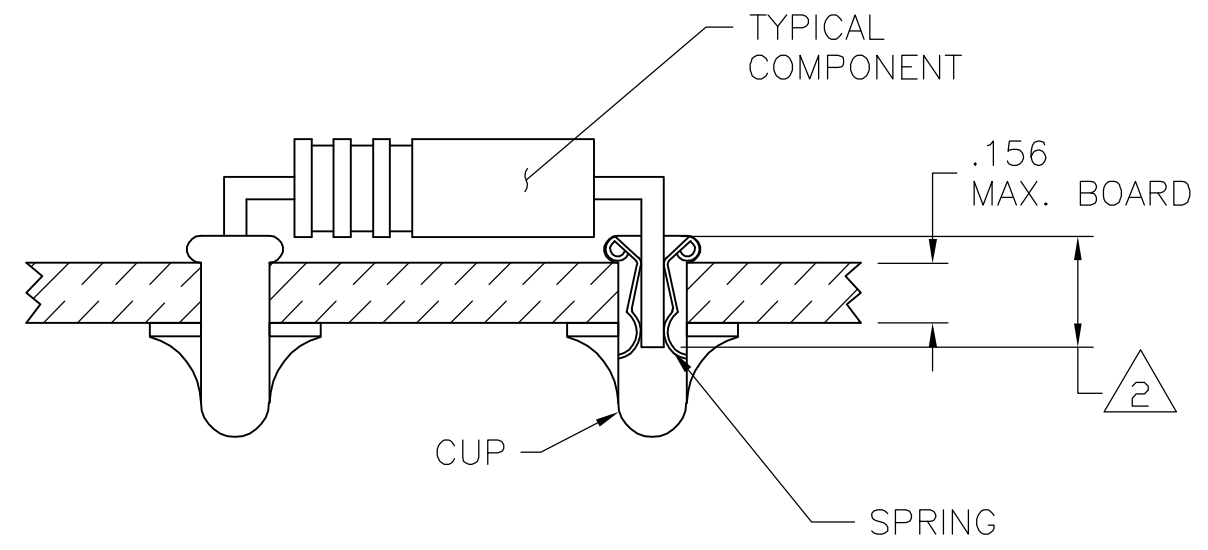
THIS DRAWING IS UNPUBLISHED. RELEASED FOR PUBLICATION
 © COPYRIGHT BY TYCO ELECTRONICS CORPORATION. ALL RIGHTS RESERVED.

LOC	DIST	REVISIONS			
P	LTR	DESCRIPTION	DATE	DWN	APVD
		AF1	REVISED PER ECO-06-018765	13APR07	DH DB



- 1 PART FITS INTO A #43 DRILLED HOLE(.089±.0015) FOR HAND INSERTION AND A #44 DRILLED HOLE(.086±.0015) FOR MACHINE INSERTION.
- 2 .145 MIN. INSERTION DEPTH REQUIRED FOR A RELIABLE CONNECTION.
- 3. SPRING TO BE SECURED IN CUP WITH NO SPRING ROTATION PERMISSIBLE.
- 4. LEAD RANGES & PERFORMANCE RESULTS.

LEAD RANGES (DIA)	.018-.020	.025-.032	.035-.040
MAX. INSERTION FORCE	17 oz.	37 oz.	48 oz.
MIN. EXTRACTION FORCE	1.0 oz.	1.5 oz.	2.0 oz.
MILLIVOLT DROP (MAX.)	2.00 MV	1.75 MV	1.50 MV



OBSOLETE	.000150 MIN BRIGHT TIN	.000030 MIN GOLD OVER .000030 MIN NICKEL	380598-6
OBSOLETE	.000050 MIN GOLD OVER .000050 MIN NICKEL	.000050 MIN GOLD OVER .000050 MIN NICKEL	380598-5
OBSOLETE	TIN-LEAD	TIN-LEAD	380598-4
OBSOLETE			380598-3
			.000030 MIN GOLD OVER .000030 MIN NICKEL
	.000030 MIN GOLD OVER .000030 MIN NICKEL	.000030 MIN GOLD OVER .000030 MIN NICKEL	380598-1
NOTES	FINISH		PART NO.
	CUP	SPRING	

THIS DRAWING IS A CONTROLLED DOCUMENT.		DWN D. HUMBERT	13APR2007	Tyco Electronics Corporation Harrisburg, PA 17105-3608	
DIMENSIONS: INCHES		TOLERANCES UNLESS OTHERWISE SPECIFIED:		REUSEABLE COMPONENT RECEPTACLE	
		0 PLC	± -	NAME	
		1 PLC	± -	PRODUCT SPEC	
		2 PLC	± -	APPLICATION SPEC	
		3 PLC	± -	SIZE	
		4 PLC	± -	CAGE CODE	
		ANGLES	± -	DRAWING NO	
MATERIAL		FINISH		RESTRICTED TO	
CUP - Cu		SEE TABLE		A3 00779 C-380598	
SPRING - BeCu				CUSTOMER DRAWING	
				SCALE	SHEET
				NTS	1 OF 1
				REV AF1	