



Chipsmall Limited consists of a professional team with an average of over 10 year of expertise in the distribution of electronic components. Based in Hongkong, we have already established firm and mutual-benefit business relationships with customers from,Europe,America and south Asia,supplying obsolete and hard-to-find components to meet their specific needs.

With the principle of "Quality Parts,Customers Priority,Honest Operation,and Considerate Service",our business mainly focus on the distribution of electronic components. Line cards we deal with include Microchip,ALPS,ROHM,Xilinx,Pulse,ON,Everlight and Freescale. Main products comprise IC,Modules,Potentiometer,IC Socket,Relay,Connector.Our parts cover such applications as commercial,industrial, and automotives areas.

We are looking forward to setting up business relationship with you and hope to provide you with the best service and solution. Let us make a better world for our industry!



Contact us

Tel: +86-755-8981 8866 Fax: +86-755-8427 6832

Email & Skype: info@chipsmall.com Web: www.chipsmall.com

Address: A1208, Overseas Decoration Building, #122 Zhenhua RD., Futian, Shenzhen, China



THIS DRAWING IS UNPUBLISHED. RELEASED FOR PUBLICATION
 © COPYRIGHT - BY TYCO ELECTRONICS CORPORATION. ALL RIGHTS RESERVED.

LOC	DIST	REVISIONS			
P	LTR	DESCRIPTION	DATE	DWN	APVD
		REVISED PER ECO-06-018765	13APR07	DH	DB

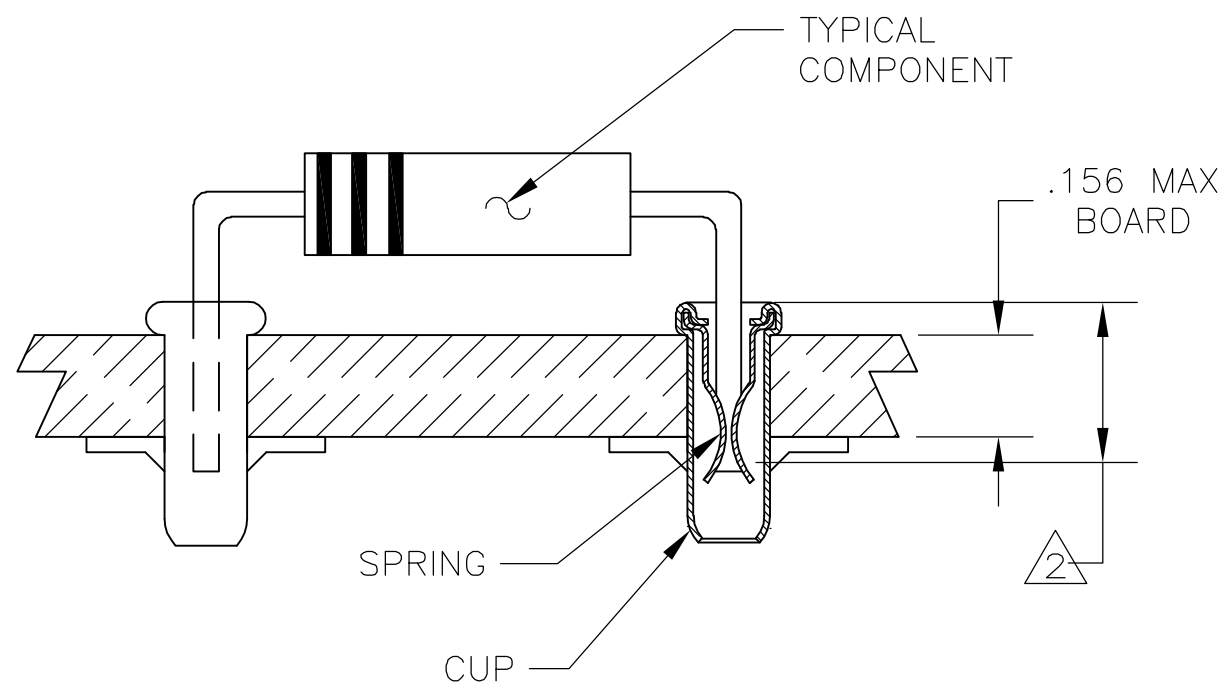
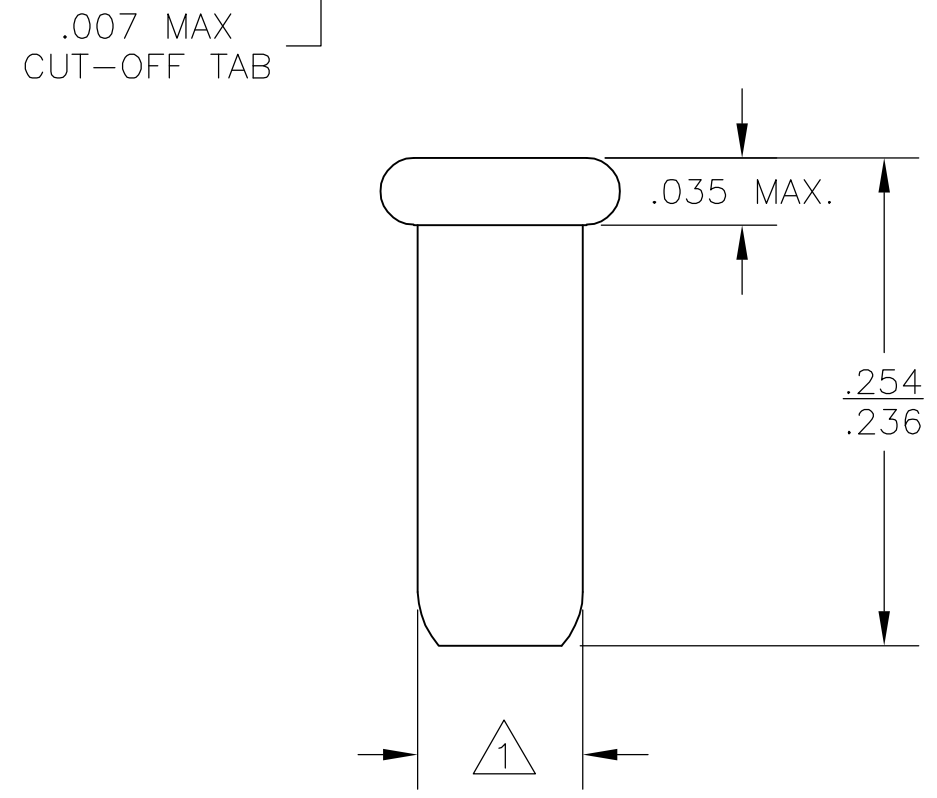
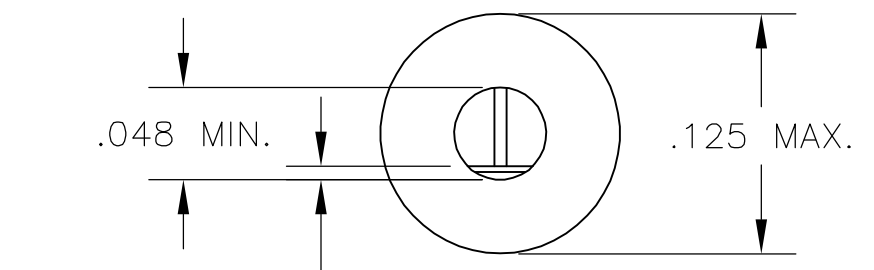
1 PART FITS IN TO A #43 DRILLED HOLE (.089±.0015) FOR HAND INSERTION, AND A #44 DRILLED HOLE (.086±.0015) FOR MACHINE INSERTION.

2 .145 MIN INSERTION DEPTH REQUIRED FOR A RELIABLE CONNECTION.

3. SPRING IS SECURED IN CUP WITH NO SPRING ROTATION PERMISSABLE.

4. LEAD RANGES & PERFORMANCE RESULTS:

LEAD RANGES (DIA)	.018-.020	.025-.032	.035-.040
MAX INSERTION FORCE	17 OZ	37 OZ	48 OZ
MIN EXTRACTION FORCE	1.0 OZ	1.5 OZ	2.0 OZ
MILLVOLT DROP (MAX)	2.00 mV	1.75 mV	1.50 mV



OBSOLETE	TIN-LEAD	PRE-TIN	380635-5
SUPSD BY 380635-2	TIN-LEAD	.000050 MIN Au OVER	380635-4
OBSOLETE	.000050 MIN Au OVER	.000050 MIN NICKEL	380635-3
OBSOLETE	TIN-LEAD	.000030 MIN Au OVER	380635-2
	.000030 MIN Au OVER	.000030 MIN NICKEL	380635-1
	CUP	SPRING	PART NO.
FINISH			

THIS DRAWING IS A CONTROLLED DOCUMENT.		DWN D.HUMBERT 07FEB2007	Tyco Electronics Corporation Harrisburg, PA 17105-3608	
DIMENSIONS: INCHES	TOLERANCES UNLESS OTHERWISE SPECIFIED:	CHK J.HAVENER	REUSABLE COMPONENT RECEPTACLE	
	0 PLC ± -	APVD J.HAVENER	NAME	
	1 PLC ± -	PRODUCT SPEC	SIZE CAGE CODE DRAWING NO RESTRICTED TO	
	2 PLC ± -	APPLICATION SPEC	A3 00779 C-380635	
	3 PLC ± -		SCALE NTS SHEET 1 OF 1 REV W2	
	4 PLC ± -			
	ANGLES ± -			
MATERIAL	FINISH	WEIGHT		
CUP - COPPER	SEE TABLE	-		
SPRING - Be-Cu				