



Chipsmall Limited consists of a professional team with an average of over 10 year of expertise in the distribution of electronic components. Based in Hongkong, we have already established firm and mutual-benefit business relationships with customers from,Europe,America and south Asia,supplying obsolete and hard-to-find components to meet their specific needs.

With the principle of “Quality Parts,Customers Priority,Honest Operation,and Considerate Service”,our business mainly focus on the distribution of electronic components. Line cards we deal with include Microchip,ALPS,ROHM,Xilinx,Pulse,ON,Everlight and Freescale. Main products comprise IC,Modules,Potentiometer,IC Socket,Relay,Connector.Our parts cover such applications as commercial,industrial, and automotives areas.

We are looking forward to setting up business relationship with you and hope to provide you with the best service and solution. Let us make a better world for our industry!



Contact us

Tel: +86-755-8981 8866 Fax: +86-755-8427 6832

Email & Skype: info@chipsmall.com Web: www.chipsmall.com

Address: A1208, Overseas Decoration Building, #122 Zhenhua RD., Futian, Shenzhen, China



Type 380LQ 85 °C Compact, High Capacitance, Snap-In Aluminum

High Capacitance per Case Size



Type 380LQ is on average 27% smaller and more than 10 mm shorter than Type 380LX. This is achieved with a new can-closure method that permits installing capacitor elements into smaller cans. Approaching the capability of the 380LX, the new 380LQ enables you to shrink equipment size and retain the original performance.

Highlights

- New, more capacitance per case
- Compare to Type 380LX
- New, lower voltages down to 16 V

Specifications

| Temperature Range | -40 °C to + 85 °C ≤ 315 Vdc -25 °C to + 85 °C ≥ 350 Vdc | | | | | | | | | | | | | | | | | | | | | | | | | | | | | |
|---------------------------------|---|-------|--------|---------|-------|-------------|------|------|------|---------|-------|-------|--------|---------|-------|-------------|-----------|------|------|------|------|------|------|------------|------|------|------|------|------|------|
| Rated Voltage Range | 16 Vdc to 450 Vdc | | | | | | | | | | | | | | | | | | | | | | | | | | | | | |
| Capacitance Range | 82 µF to 100,000 µF | | | | | | | | | | | | | | | | | | | | | | | | | | | | | |
| Capacitance Tolerance | ±20% | | | | | | | | | | | | | | | | | | | | | | | | | | | | | |
| Leakage Current | ≤ 3 \sqrt{CV} µA, 4 mA max, 5 minutes | | | | | | | | | | | | | | | | | | | | | | | | | | | | | |
| Ripple Current Multipliers | <p>Ambient Temperature</p> <table border="1"> <thead> <tr> <th>45 °C</th> <th>60 °C</th> <th>70 °C</th> <th>85 °C</th> </tr> </thead> <tbody> <tr> <td>1.50</td> <td>1.40</td> <td>1.30</td> <td>1.00</td> </tr> </tbody> </table> <p>Frequency</p> <table border="1"> <thead> <tr> <th>Voltage</th> <th>50 Hz</th> <th>60 Hz</th> <th>120 Hz</th> <th>500 kHz</th> <th>1 kHz</th> <th>10 kHz & Up</th> </tr> </thead> <tbody> <tr> <td>16–100 WV</td> <td>0.93</td> <td>0.95</td> <td>1.00</td> <td>1.05</td> <td>1.08</td> <td>1.15</td> </tr> <tr> <td>160–450 WV</td> <td>0.75</td> <td>0.80</td> <td>1.00</td> <td>1.20</td> <td>1.25</td> <td>1.40</td> </tr> </tbody> </table> | 45 °C | 60 °C | 70 °C | 85 °C | 1.50 | 1.40 | 1.30 | 1.00 | Voltage | 50 Hz | 60 Hz | 120 Hz | 500 kHz | 1 kHz | 10 kHz & Up | 16–100 WV | 0.93 | 0.95 | 1.00 | 1.05 | 1.08 | 1.15 | 160–450 WV | 0.75 | 0.80 | 1.00 | 1.20 | 1.25 | 1.40 |
| 45 °C | 60 °C | 70 °C | 85 °C | | | | | | | | | | | | | | | | | | | | | | | | | | | |
| 1.50 | 1.40 | 1.30 | 1.00 | | | | | | | | | | | | | | | | | | | | | | | | | | | |
| Voltage | 50 Hz | 60 Hz | 120 Hz | 500 kHz | 1 kHz | 10 kHz & Up | | | | | | | | | | | | | | | | | | | | | | | | |
| 16–100 WV | 0.93 | 0.95 | 1.00 | 1.05 | 1.08 | 1.15 | | | | | | | | | | | | | | | | | | | | | | | | |
| 160–450 WV | 0.75 | 0.80 | 1.00 | 1.20 | 1.25 | 1.40 | | | | | | | | | | | | | | | | | | | | | | | | |
| Low Temperature Characteristics | Impedance ratio: $Z_{-20^{\circ}\text{C}}/Z_{+25^{\circ}\text{C}}$ ≤ 8 (16–50 Vdc) ≤ 4 (63–100 Vdc) ≤ 3 (150–450 Vdc) | | | | | | | | | | | | | | | | | | | | | | | | | | | | | |
| Endurance Life Test | 2000 h at full load at 85 °C Δ Capacitance ±20% ESR 200% of limit DCL 100% of limit | | | | | | | | | | | | | | | | | | | | | | | | | | | | | |
| Shelf Life Test | 1000 h at 85 °C Δ Capacitance ±20% ESR 200% of limit DCL 100% of limit | | | | | | | | | | | | | | | | | | | | | | | | | | | | | |
| Vibration | 10 to 55 Hz, 0.06" and 10 g max, 2 h each plane | | | | | | | | | | | | | | | | | | | | | | | | | | | | | |
| RoHS Compliant | | | | | | | | | | | | | | | | | | | | | | | | | | | | | | |

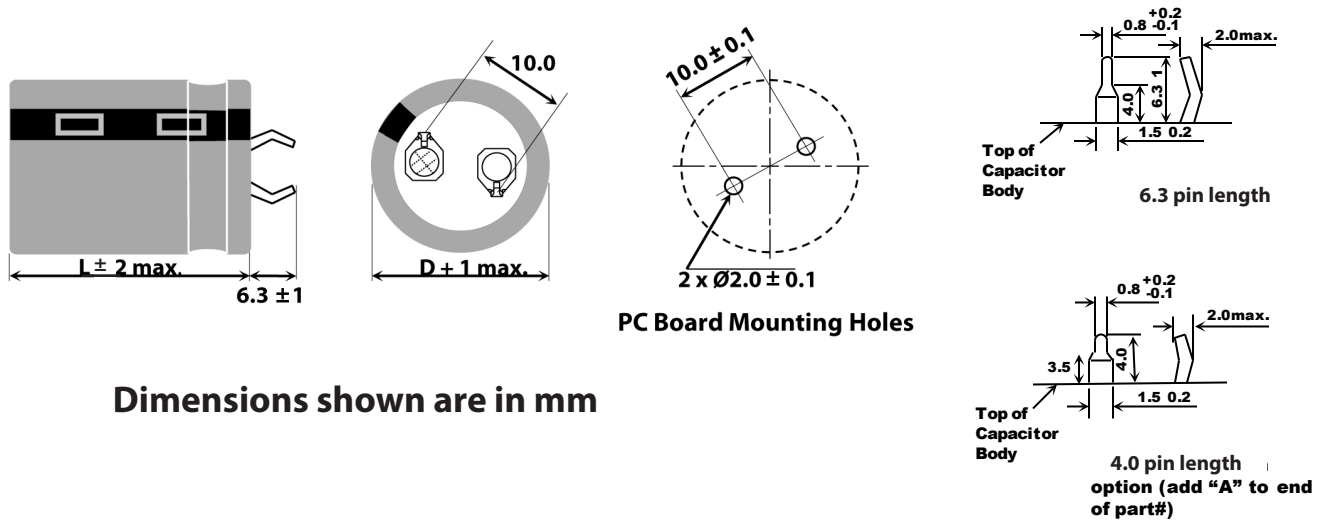
Type 380LQ 85 °C Compact, High Capacitance Snap-in Capacitors

High Capacitance per Case Size

Part Numbering System

| | | | | | | |
|--------------|----------------------|------------------|----------------------|------------------|-------------------|---------------------------|
| 380LQ | 272 | M | 200 | A05 | 2 | A |
| | | | | | | |
| Type | Cap | Tolerance | Voltage | Case Code | Insulation | Pin Styles |
| 380LQ | 561 = 560 μF | M = ±20% | 016 = 16 Vdc | | 2 = PVC | Blank = 2 pins |
| | 272 = 2700 μF | | 200 = 200 Vdc | | | snap-in 6.3 mm L |
| | 392 = 3900 μF | | 450 = 450 Vdc | | | A = 2 pins snap-in |
| | | | | | | 4.0 mm L |

Outline Drawing



Insulated Case Dimensions

| Case Code | DIAMETER D | | LENGTH L | | Typical Weight (grams) | Case Code | DIAMETER D | | LENGTH L | | Typical Weight (grams) |
|-----------|------------|--------|----------|--------|------------------------|-----------|------------|--------|----------|--------|------------------------|
| | mm | inches | mm | inches | | | mm | inches | mm | inches | |
| H01 | 22 | 0.87 | 25 | 0.98 | 16 | K01 | 30 | 1.18 | 25 | 0.98 | 30 |
| H02 | 22 | 0.87 | 30 | 1.18 | 19 | K02 | 30 | 1.18 | 30 | 1.18 | 35 |
| H03 | 22 | 0.87 | 35 | 1.38 | 22 | K03 | 30 | 1.18 | 35 | 1.38 | 40 |
| H04 | 22 | 0.87 | 40 | 1.57 | 24 | K04 | 30 | 1.18 | 40 | 1.57 | 44 |
| H45 | 22 | 0.87 | 45 | 1.77 | 28 | K45 | 30 | 1.18 | 45 | 1.77 | 49 |
| H05 | 22 | 0.87 | 50 | 1.97 | 31 | K05 | 30 | 1.18 | 50 | 1.97 | 53 |
| J01 | 25 | 0.98 | 25 | 0.98 | 20 | A01 | 35 | 1.38 | 25 | 0.98 | 42 |
| J02 | 25 | 0.98 | 30 | 1.18 | 24 | A02 | 35 | 1.38 | 30 | 1.18 | 48 |
| J03 | 25 | 0.98 | 35 | 1.38 | 27 | A03 | 35 | 1.38 | 35 | 1.38 | 54 |
| J04 | 25 | 0.98 | 40 | 1.57 | 31 | A04 | 35 | 1.38 | 40 | 1.57 | 60 |
| J45 | 25 | 0.98 | 45 | 1.77 | 35 | A45 | 35 | 1.38 | 45 | 1.77 | 67 |
| J05 | 25 | 0.98 | 50 | 1.97 | 38 | A05 | 35 | 1.38 | 50 | 1.97 | 74 |

Type 380LQ 85 °C Compact, High Capacitance Snap-in Capacitors

High Capacitance per Case Size

Ratings

| Cap. (uF) | Catalog Part Number | Max. ESR @ +25°C | | Ripple Amps @ +85°C | | Nominal Size D x L (mm) |
|------------------------------|---------------------|---------------------|--------|------------------------|--------|----------------------------------|
| | | 120 Hz | 20 kHz | 120 Hz | 20 kHz | |
| | | (ohms) | (ohms) | (A) | (A) | |
| 16 Vdc (20 Vdc Surge) | | | | | | |
| 12000 | 380LQ123M016H022 | 0.069 | 0.059 | 3.13 | 3.60 | 22 x 30 |
| 15000 | 380LQ153M016H032 | 0.055 | 0.047 | 3.69 | 4.24 | 22 x 35 |
| 18000 | 380LQ183M016H032 | 0.046 | 0.039 | 3.10 | 4.58 | 22 x 35 |
| 22000 | 380LQ223M016H042 | 0.038 | 0.032 | 4.52 | 5.20 | 22 x 40 |
| 27000 | 380LQ273M016H052 | 0.031 | 0.026 | 6.31 | 7.26 | 22 x 50 |
| 33000 | 380LQ333M016K032 | 0.025 | 0.021 | 6.84 | 7.87 | 30 x 35 |
| 39000 | 380LQ393M016K042 | 0.024 | 0.020 | 6.94 | 7.98 | 30 x 40 |
| 47000 | 380LQ473M016K452 | 0.023 | 0.019 | 7.47 | 8.59 | 30 x 45 |
| 56000 | 380LQ563M016A452 | 0.022 | 0.018 | 8.73 | 10.04 | 35 x 45 |
| 68000 | 380LQ683M016A452 | 0.021 | 0.018 | 9.05 | 10.41 | 35 x 45 |
| 82000 | 380LQ823M016A052 | 0.020 | 0.018 | 9.49 | 10.91 | 35 x 50 |
| 100000 | 380LQ104M016A052 | 0.019 | 0.018 | 10.18 | 11.71 | 35 x 50 |
| 25 Vdc (32 Vdc Surge) | | | | | | |
| 8200 | 380LQ822M025H022 | 0.081 | 0.065 | 2.86 | 3.29 | 22 x 30 |
| 12000 | 380LQ123M025J022 | 0.055 | 0.044 | 4.10 | 4.72 | 25 x 30 |
| 15000 | 380LQ153M025J032 | 0.044 | 0.035 | 4.63 | 5.32 | 25 x 35 |
| 18000 | 380LQ183M025J042 | 0.037 | 0.029 | 5.47 | 6.29 | 25 x 40 |
| 18000 | 380LQ183M025K012 | 0.037 | 0.029 | 4.66 | 5.36 | 30 x 25 |
| 22000 | 380LQ223M025J452 | 0.030 | 0.024 | 6.10 | 7.02 | 25 x 45 |
| 27000 | 380LQ273M025K042 | 0.025 | 0.020 | 6.21 | 7.14 | 30 x 40 |
| 33000 | 380LQ333M025K452 | 0.020 | 0.016 | 6.84 | 7.87 | 30 x 45 |
| 39000 | 380LQ393M025A452 | 0.020 | 0.016 | 7.36 | 8.46 | 35 x 45 |
| 47000 | 380LQ473M025A052 | 0.019 | 0.015 | 8.00 | 9.20 | 35 x 50 |
| 56000 | 380LQ563M025A052 | 0.019 | 0.016 | 8.91 | 10.25 | 35 x 50 |
| 35 Vdc (44 Vdc Surge) | | | | | | |
| 5600 | 380LQ562M035H022 | 0.104 | 0.078 | 2.79 | 3.20 | 22 x 30 |
| 8200 | 380LQ822M035J022 | 0.071 | 0.053 | 4.00 | 4.60 | 25 x 30 |
| 10000 | 380LQ103M035J022 | 0.058 | 0.044 | 4.42 | 5.08 | 25 x 30 |
| 10000 | 380LQ103M035J032 | 0.058 | 0.044 | 4.42 | 5.08 | 25 x 35 |
| 12000 | 380LQ123M035J042 | 0.048 | 0.036 | 5.05 | 5.81 | 25 x 40 |
| 12000 | 380LQ123M035K012 | 0.048 | 0.036 | 4.15 | 4.77 | 30 x 25 |
| 15000 | 380LQ153M035K042 | 0.036 | 0.027 | 5.60 | 6.40 | 30 x 40 |
| 18000 | 380LQ183M035K452 | 0.032 | 0.024 | 5.68 | 6.53 | 30 x 45 |
| 22000 | 380LQ223M035K452 | 0.026 | 0.020 | 6.10 | 7.02 | 30 x 45 |
| 27000 | 380LQ273M035A052 | 0.021 | 0.016 | 6.84 | 7.87 | 35 x 50 |
| 33000 | 380LQ333M035A052 | 0.018 | 0.014 | 7.15 | 8.22 | 35 x 50 |
| 39000 | 380LQ393M035A052 | 0.017 | 0.014 | 7.91 | 9.10 | 35 x 50 |
| 47000 | 380LQ473M035A552 | 0.017 | 0.014 | 8.56 | 9.84 | 35 x 55 |
| 50 Vdc (63 Vdc Surge) | | | | | | |
| 3300 | 380LQ332M050H012 | 0.151 | 0.113 | 2.41 | 2.77 | 22 x 25 |
| 4700 | 380LQ472M050H032 | 0.106 | 0.079 | 3.03 | 3.48 | 22 x 35 |
| 5600 | 380LQ562M050J032 | 0.089 | 0.067 | 3.42 | 3.93 | 25 x 35 |

Type 380LQ 85 °C Compact, High Capacitance Snap-in Capacitors

High Capacitance per Case Size

| Cap. (uF) | Catalog Part Number | Max. ESR @ +25°C | | Ripple Amps @ +85°C | | Nominal Size D x L (mm) |
|--------------------------------|---------------------|---------------------|------------------|------------------------|---------------|----------------------------------|
| | | 120 Hz (ohms) | 20 kHz (ohms) | 120 Hz (A) | 20 kHz (A) | |
| 50 Vdc (63 Vdc Surge) | | | | | | |
| 6800 | 380LQ682M050H452 | 0.073 | 0.055 | 3.85 | 4.43 | 22 x 45 |
| 6800 | 380LQ682M050J022 | 0.073 | 0.055 | 3.22 | 3.71 | 25 x 30 |
| 8200 | 380LQ822M050H452 | 0.061 | 0.045 | 4.41 | 5.07 | 22 x 45 |
| 8200 | 380LQ822M050J032 | 0.061 | 0.045 | 4.41 | 5.07 | 25 x 35 |
| 10000 | 380LQ103M050J052 | 0.050 | 0.037 | 4.97 | 5.72 | 25 x 50 |
| 10000 | 380LQ103M050A032 | 0.050 | 0.037 | 4.97 | 5.72 | 35 x 35 |
| 12000 | 380LQ123M050A032 | 0.041 | 0.031 | 5.58 | 6.42 | 35 x 35 |
| 18000 | 380LQ183M050A452 | 0.028 | 0.021 | 6.94 | 7.98 | 35 x 45 |
| 22000 | 380LQ223M050A052 | 0.023 | 0.018 | 7.57 | 8.71 | 35 x 50 |
| 27000 | 380LQ273M050A052 | 0.018 | 0.015 | 8.96 | 10.30 | 35 x 50 |
| 63 Vdc (79 Vdc Surge) | | | | | | |
| 2200 | 380LQ222M063H022 | 0.188 | 0.141 | 2.35 | 2.70 | 22 x 30 |
| 3300 | 380LQ332M063H042 | 0.126 | 0.094 | 2.72 | 3.13 | 22 x 40 |
| 3900 | 380LQ392M063J022 | 0.106 | 0.080 | 3.13 | 3.60 | 25 x 30 |
| 4700 | 380LQ472M063J032 | 0.088 | 0.066 | 3.59 | 4.13 | 25 x 35 |
| 4700 | 380LQ472M063K022 | 0.061 | 0.046 | 3.89 | 4.48 | 30 x 30 |
| 5600 | 380LQ562M063K042 | 0.074 | 0.056 | 4.11 | 4.72 | 30 x 40 |
| 6800 | 380LQ682M063K042 | 0.061 | 0.046 | 4.55 | 5.24 | 30 x 40 |
| 8200 | 380LQ822M063A032 | 0.051 | 0.038 | 4.68 | 5.38 | 35 x 35 |
| 10000 | 380LQ103M063K042 | 0.041 | 0.031 | 5.35 | 6.15 | 30 x 40 |
| 10000 | 380LQ103M063K452 | 0.041 | 0.031 | 6.52 | 7.50 | 30 x 45 |
| 12000 | 380LQ123M063K052 | 0.035 | 0.026 | 7.15 | 8.22 | 30 x 50 |
| 15000 | 380LQ153M063A052 | 0.028 | 0.021 | 7.91 | 9.10 | 35 x 50 |
| 18000 | 380LQ183M063A552 | 0.023 | 0.018 | 8.55 | 9.83 | 35 x 55 |
| 80 Vdc (100 Vdc Surge) | | | | | | |
| 1500 | 380LQ152M080H022 | 0.221 | 0.166 | 2.01 | 2.31 | 22 x 30 |
| 1800 | 380LQ182M080H032 | 0.184 | 0.138 | 2.11 | 2.43 | 22 x 35 |
| 2200 | 380LQ222M080H042 | 0.151 | 0.113 | 2.73 | 3.14 | 22 x 40 |
| 2700 | 380LQ272M080J042 | 0.123 | 0.092 | 2.78 | 3.20 | 25 x 40 |
| 3300 | 380LQ332M080J042 | 0.100 | 0.075 | 3.21 | 3.69 | 25 x 40 |
| 3900 | 380LQ392M080K042 | 0.085 | 0.064 | 3.59 | 4.13 | 30 x 40 |
| 4700 | 380LQ472M080K042 | 0.071 | 0.053 | 4.09 | 4.70 | 30 x 40 |
| 5600 | 380LQ562M080K452 | 0.059 | 0.044 | 4.55 | 5.23 | 30 x 45 |
| 6800 | 380LQ682M080K052 | 0.049 | 0.037 | 5.16 | 5.93 | 30 x 50 |
| 8200 | 380LQ822M080A452 | 0.040 | 0.030 | 5.83 | 6.70 | 35 x 45 |
| 10000 | 380LQ103M080A052 | 0.040 | 0.030 | 5.83 | 6.70 | 35 x 50 |
| 100 Vdc (125 Vdc Surge) | | | | | | |
| 1000 | 380LQ102M100H022 | 0.332 | 0.216 | 2.12 | 2.44 | 22 x 30 |
| 1200 | 380LQ122M100H022 | 0.276 | 0.180 | 2.12 | 2.44 | 22 x 30 |
| 1500 | 380LQ152M100K012 | 0.221 | 0.144 | 2.57 | 2.96 | 30 x 25 |
| 1800 | 380LQ182M100H042 | 0.184 | 0.120 | 2.60 | 2.99 | 22 x 40 |
| 2200 | 380LQ222M100J452 | 0.151 | 0.098 | 3.14 | 3.61 | 25 x 45 |

Type 380LQ 85 °C Compact, High Capacitance Snap-in Capacitors

High Capacitance per Case Size

| Cap. (uF) | Catalog Part Number | Max. ESR @ +25°C | | Ripple Amps @ +85°C | | Nominal Size D x L (mm) |
|--------------------------------|---------------------|---------------------|--------|------------------------|--------|----------------------------------|
| | | 120 Hz | 20 kHz | 120 Hz | 20 kHz | |
| | | (ohms) | (ohms) | (A) | (A) | |
| 100 Vdc (125 Vdc Surge) | | | | | | |
| 2200 | 380LQ222M100K012 | 0.151 | 0.098 | 3.14 | 3.61 | 30 x 25 |
| 2700 | 380LQ272M100J452 | 0.123 | 0.080 | 3.66 | 4.21 | 25 x 45 |
| 2700 | 380LQ272M100A022 | 0.123 | 0.080 | 3.71 | 4.27 | 35 x 30 |
| 3300 | 380LQ332M100A022 | 0.100 | 0.065 | 4.06 | 4.67 | 35 x 30 |
| 3900 | 380LQ392M100K052 | 0.085 | 0.055 | 4.54 | 5.22 | 30 x 50 |
| 4700 | 380LQ472M100K052 | 0.071 | 0.046 | 5.13 | 5.90 | 30 x 50 |
| 5600 | 380LQ562M100A052 | 0.059 | 0.041 | 5.75 | 6.61 | 35 x 50 |
| 6800 | 380LQ682M100A052 | 0.049 | 0.034 | 6.60 | 7.59 | 35 x 50 |
| 160 Vdc (200 Vdc Surge) | | | | | | |
| 560 | 380LQ561M160H042 | 0.355 | 0.160 | 2.25 | 3.15 | 22 x 40 |
| 680 | 380LQ681M160H042 | 0.293 | 0.132 | 2.35 | 3.29 | 22 x 40 |
| 820 | 380LQ821M160J042 | 0.243 | 0.109 | 2.75 | 3.85 | 25 x 40 |
| 1000 | 380LQ102M160J042 | 0.199 | 0.090 | 3.00 | 4.20 | 25 x 40 |
| 1200 | 380LQ122M160K032 | 0.166 | 0.075 | 3.25 | 4.55 | 30 x 35 |
| 1500 | 380LQ152M160K452 | 0.133 | 0.060 | 3.73 | 5.22 | 30 x 45 |
| 1800 | 380LQ182M160K452 | 0.111 | 0.050 | 4.20 | 5.88 | 30 x 45 |
| 2200 | 380LQ222M160K052 | 0.098 | 0.049 | 4.78 | 6.69 | 30 x 50 |
| 2700 | 380LQ272M160A042 | 0.080 | 0.040 | 5.45 | 7.63 | 35 x 40 |
| 2700 | 380LQ272M160A052 | 0.074 | 0.033 | 5.45 | 7.63 | 35 x 50 |
| 3300 | 380LQ332M160A052 | 0.070 | 0.035 | 5.75 | 8.05 | 35 x 50 |
| 180 Vdc (225 Vdc Surge) | | | | | | |
| 470 | 380LQ471M180H022 | 0.423 | 0.190 | 1.91 | 2.68 | 22 x 30 |
| 560 | 380LQ561M180H042 | 0.355 | 0.160 | 2.25 | 3.15 | 22 x 40 |
| 680 | 380LQ681M180J032 | 0.290 | 0.130 | 1.70 | 2.38 | 25 x 35 |
| 820 | 380LQ821M180H452 | 0.240 | 0.110 | 2.00 | 2.80 | 22 x 45 |
| 1000 | 380LQ102M180H052 | 0.200 | 0.090 | 2.99 | 4.19 | 22 x 50 |
| 1200 | 380LQ122M180J052 | 0.170 | 0.080 | 3.31 | 4.63 | 25 x 50 |
| 1500 | 380LQ152M180J052 | 0.130 | 0.060 | 3.83 | 5.36 | 25 x 50 |
| 1800 | 380LQ182M180K052 | 0.120 | 0.054 | 4.32 | 6.05 | 30 x 50 |
| 2200 | 380LQ222M180K052 | 0.100 | 0.050 | 4.86 | 6.81 | 30 x 50 |
| 2700 | 380LQ272M180A052 | 0.090 | 0.040 | 5.30 | 7.42 | 35 x 50 |
| 200 Vdc (250 Vdc Surge) | | | | | | |
| 390 | 380LQ391M200H022 | 0.510 | 0.230 | 1.68 | 2.35 | 22 x 30 |
| 470 | 380LQ471M200H022 | 0.423 | 0.190 | 1.85 | 2.59 | 22 x 30 |
| 560 | 380LQ561M200H042 | 0.360 | 0.160 | 2.18 | 3.05 | 22 x 40 |
| 680 | 380LQ681M200J032 | 0.290 | 0.130 | 2.48 | 3.47 | 25 x 35 |
| 820 | 380LQ821M200H452 | 0.240 | 0.110 | 2.75 | 3.85 | 22 x 45 |
| 1000 | 380LQ102M200H452 | 0.199 | 0.090 | 3.25 | 4.55 | 22 x 45 |
| 1000 | 380LQ102M200H052 | 0.200 | 0.090 | 3.20 | 4.48 | 22 x 50 |
| 1000 | 380LQ102M200K022 | 0.199 | 0.090 | 3.25 | 4.55 | 30 x 30 |
| 1200 | 380LQ122M200J052 | 0.166 | 0.075 | 3.50 | 4.90 | 25 x 50 |
| 1200 | 380LQ122M200K022 | 0.166 | 0.075 | 3.50 | 4.90 | 30 x 30 |

Type 380LQ 85 °C Compact, High Capacitance Snap-in Capacitors

High Capacitance per Case Size

| Cap. (uF) | Catalog Part Number | Max. ESR @ +25°C | | Ripple Amps @ +85°C | | Nominal Size D x L (mm) |
|--------------------------------|---------------------|---------------------|------------------|------------------------|---------------|----------------------------------|
| | | 120 Hz (ohms) | 20 kHz (ohms) | 120 Hz (A) | 20 kHz (A) | |
| 200 Vdc (250 Vdc Surge) | | | | | | |
| 1500 | 380LQ152M200K052 | 0.130 | 0.070 | 3.87 | 5.12 | 30 x 50 |
| 1800 | 380LQ182M200K052 | 0.160 | 0.080 | 4.32 | 6.05 | 30 x 50 |
| 1800 | 380LQ182M200A032 | 0.120 | 0.060 | 4.32 | 6.05 | 35 x 35 |
| 2200 | 380LQ222M200K052 | 0.098 | 0.049 | 4.92 | 6.89 | 30 x 50 |
| 2200 | 380LQ222M200A042 | 0.105 | 0.053 | 4.81 | 6.73 | 35 x 40 |
| 2700 | 380LQ272M200A052 | 0.105 | 0.052 | 5.00 | 7.00 | 35 x 50 |
| 250 Vdc (300 Vdc Surge) | | | | | | |
| 270 | 380LQ271M250H022 | 0.737 | 0.332 | 1.31 | 1.83 | 22 x 30 |
| 330 | 380LQ331M250H022 | 0.603 | 0.271 | 1.66 | 2.32 | 22 x 30 |
| 390 | 380LQ391M250J032 | 0.510 | 0.230 | 1.91 | 2.67 | 25 x 35 |
| 470 | 380LQ471M250J032 | 0.420 | 0.190 | 2.11 | 2.95 | 25 x 35 |
| 470 | 380LQ471M250J042 | 0.423 | 0.190 | 2.11 | 2.95 | 25 x 40 |
| 560 | 380LQ561M250J022 | 0.355 | 0.160 | 2.20 | 3.08 | 25 x 30 |
| 560 | 380LQ561M250J032 | 0.355 | 0.160 | 2.25 | 3.15 | 25 x 35 |
| 680 | 380LQ681M250H052 | 0.293 | 0.132 | 2.30 | 3.20 | 22 x 50 |
| 680 | 380LQ681M250J032 | 0.293 | 0.132 | 2.50 | 3.50 | 25 x 35 |
| 680 | 380LQ681M250K022 | 0.293 | 0.132 | 2.50 | 3.50 | 30 x 30 |
| 820 | 380LQ821M250J452 | 0.240 | 0.110 | 2.77 | 3.88 | 25 x 45 |
| 820 | 380LQ821M250K022 | 0.243 | 0.109 | 2.77 | 3.88 | 30 x 30 |
| 1000 | 380LQ102M250K032 | 0.199 | 0.090 | 3.32 | 4.65 | 30 x 35 |
| 1000 | 380LQ102M250A022 | 0.199 | 0.090 | 3.32 | 4.65 | 35 x 30 |
| 1200 | 380LQ122M250K042 | 0.166 | 0.075 | 3.53 | 4.94 | 30 x 40 |
| 1200 | 380LQ122M250A032 | 0.166 | 0.083 | 3.53 | 4.94 | 35 x 35 |
| 1500 | 380LQ152M250K052 | 0.133 | 0.066 | 4.04 | 5.66 | 30 x 50 |
| 1500 | 380LQ152M250A042 | 0.133 | 0.066 | 4.04 | 5.66 | 35 x 40 |
| 1800 | 380LQ182M250A452 | 0.111 | 0.055 | 4.55 | 6.37 | 35 x 45 |
| 2200 | 380LQ222M250A052 | 0.105 | 0.052 | 5.00 | 7.00 | 35 x 50 |
| 315 Vdc (365 Vdc Surge) | | | | | | |
| 180 | 380LQ181M315H022 | 1.100 | 0.553 | 1.21 | 1.69 | 22 x 30 |
| 220 | 380LQ221M315H032 | 0.900 | 0.452 | 1.41 | 1.97 | 22 x 35 |
| 270 | 380LQ271M315J032 | 0.740 | 0.370 | 1.60 | 2.24 | 25 x 35 |
| 330 | 380LQ331M315J042 | 0.600 | 0.300 | 1.82 | 2.55 | 25 x 40 |
| 390 | 380LQ391M315J042 | 0.510 | 0.255 | 2.01 | 2.81 | 25 x 40 |
| 390 | 380LQ391M315K022 | 0.510 | 0.255 | 2.01 | 2.81 | 30 x 30 |
| 470 | 380LQ471M315J042 | 0.420 | 0.270 | 2.27 | 3.18 | 25 x 40 |
| 470 | 380LQ471M315K022 | 0.423 | 0.212 | 2.27 | 3.18 | 30 x 30 |
| 560 | 380LQ561M315J052 | 0.360 | 0.200 | 2.49 | 3.56 | 25 x 50 |
| 560 | 380LQ561M315K032 | 0.355 | 0.178 | 2.56 | 3.58 | 30 x 35 |
| 680 | 380LQ681M315K042 | 0.293 | 0.148 | 2.87 | 4.02 | 30 x 40 |
| 680 | 380LQ681M315A032 | 0.293 | 0.146 | 2.87 | 4.55 | 35 x 35 |
| 820 | 380LQ821M315K452 | 0.243 | 0.121 | 3.25 | 4.55 | 30 x 45 |
| 820 | 380LQ821M315A042 | 0.243 | 0.121 | 3.25 | 4.55 | 35 x 40 |

Type 380LQ 85 °C Compact, High Capacitance Snap-in Capacitors

High Capacitance per Case Size

| Cap. (μ F) | Catalog Part Number | Max. ESR @ +25°C | | Ripple Amps @ +85°C | | Nominal Size |
|--------------------------------|---------------------|---------------------|--------|------------------------|--------|-----------------|
| | | 120 Hz | 20 kHz | 120 Hz | 20 kHz | D x L |
| | | (ohms) | (ohms) | (A) | (A) | (mm) |
| 315 Vdc (365 Vdc Surge) | | | | | | |
| 1000 | 380LQ102M315K052 | 0.199 | 0.090 | 3.63 | 5.08 | 30 x 50 |
| 1000 | 380LQ102M315A452 | 0.199 | 0.109 | 3.63 | 5.08 | 35 x 45 |
| 350 Vdc (400 Vdc Surge) | | | | | | |
| 150 | 380LQ151M350H022 | 1.330 | 0.660 | 1.12 | 1.57 | 22 x 30 |
| 180 | 380LQ181M350H022 | 1.106 | 0.497 | 1.20 | 1.70 | 22 x 30 |
| 220 | 380LQ221M350H032 | 0.900 | 0.452 | 1.44 | 2.02 | 22 x 35 |
| 270 | 380LQ271M350H452 | 0.737 | 0.376 | 1.66 | 2.32 | 22 x 45 |
| 270 | 380LQ271M350J022 | 0.737 | 0.376 | 1.66 | 2.32 | 25 x 30 |
| 330 | 380LQ331M350J032 | 0.603 | 0.301 | 1.88 | 2.63 | 25 x 35 |
| 330 | 380LQ331M350J042 | 0.600 | 0.300 | 1.88 | 2.63 | 25 x 40 |
| 390 | 380LQ391M350J042 | 0.510 | 0.260 | 2.06 | 2.88 | 25 x 40 |
| 390 | 380LQ391M350K022 | 0.510 | 0.255 | 2.06 | 2.88 | 30 x 30 |
| 470 | 380LQ471M350K032 | 0.423 | 0.211 | 2.40 | 3.36 | 30 x 35 |
| 470 | 380LQ471M350A022 | 0.420 | 0.211 | 2.39 | 3.35 | 35 x 30 |
| 560 | 380LQ561M350K042 | 0.355 | 0.178 | 2.60 | 3.64 | 30 x 40 |
| 680 | 380LQ681M350K452 | 0.293 | 0.146 | 2.96 | 4.14 | 30 x 45 |
| 680 | 380LQ681M350A032 | 0.293 | 0.146 | 2.96 | 4.14 | 35 x 35 |
| 820 | 380LQ821M350K052 | 0.243 | 0.121 | 3.25 | 4.55 | 30 x 50 |
| 820 | 380LQ821M350A452 | 0.243 | 0.121 | 3.25 | 4.55 | 35 x 45 |
| 1000 | 380LQ102M350A052 | 0.199 | 0.109 | 3.54 | 4.96 | 35 x 50 |
| 400 Vdc (450 Vdc Surge) | | | | | | |
| 150 | 380LQ151M400H022 | 1.659 | 0.748 | 0.70 | 0.98 | 22 x 30 |
| 180 | 380LQ181M400J032 | 1.105 | 0.550 | 1.44 | 2.02 | 25 x 35 |
| 220 | 380LQ221M400H042 | 0.900 | 0.450 | 1.49 | 2.09 | 22 x 40 |
| 220 | 380LQ221M400J022 | 0.905 | 0.452 | 1.49 | 2.09 | 25 x 30 |
| 270 | 380LQ271M400H452 | 0.737 | 0.368 | 1.67 | 2.34 | 22 x 45 |
| 270 | 380LQ271M400K022 | 0.737 | 0.368 | 1.67 | 2.34 | 30 x 30 |
| 330 | 380LQ331M400K022 | 0.603 | 0.301 | 1.90 | 2.66 | 30 x 30 |
| 330 | 380LQ331M400K032 | 0.603 | 0.300 | 1.90 | 2.66 | 30 x 35 |
| 330 | 380LQ331M400A012 | 0.603 | 0.301 | 1.90 | 2.66 | 35 x 25 |
| 390 | 380LQ391M400J452 | 0.510 | 0.255 | 2.13 | 2.98 | 25 x 45 |
| 390 | 380LQ391M400K032 | 0.510 | 0.255 | 2.13 | 2.98 | 30 x 35 |
| 390 | 380LQ391M400A022 | 0.510 | 0.255 | 2.13 | 2.98 | 35 x 30 |
| 470 | 380LQ471M400K042 | 0.423 | 0.212 | 2.39 | 3.35 | 30 x 40 |
| 470 | 380LQ471M400A032 | 0.420 | 0.210 | 2.39 | 3.35 | 35 x 35 |
| 560 | 380LQ561M400K452 | 0.355 | 0.178 | 2.69 | 3.77 | 30 x 45 |
| 560 | 380LQ561M400A032 | 0.355 | 0.178 | 2.69 | 3.77 | 35 x 35 |
| 680 | 380LQ681M400K052 | 0.293 | 0.148 | 2.96 | 4.14 | 30 x 50 |
| 680 | 380LQ681M400A042 | 0.293 | 0.148 | 2.70 | 3.80 | 35 x 40 |
| 680 | 380LQ681M400A452 | 0.293 | 0.148 | 2.96 | 4.14 | 35 x 45 |
| 820 | 380LQ821M400A452 | 0.243 | 0.122 | 2.95 | 4.15 | 35 x 45 |
| 820 | 380LQ821M400A052 | 0.243 | 0.122 | 3.25 | 4.55 | 35 x 50 |

Type 380LQ 85 °C Compact, High Capacitance Snap-in Capacitors

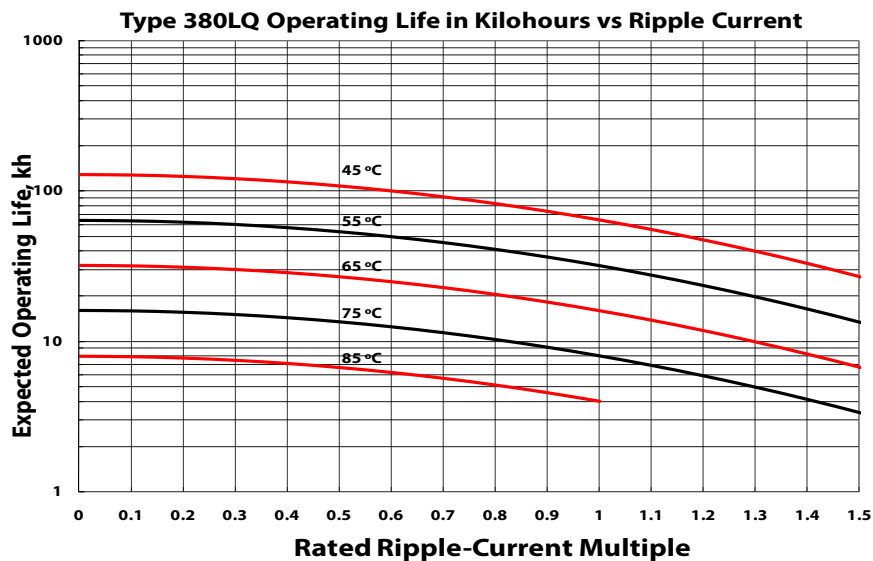
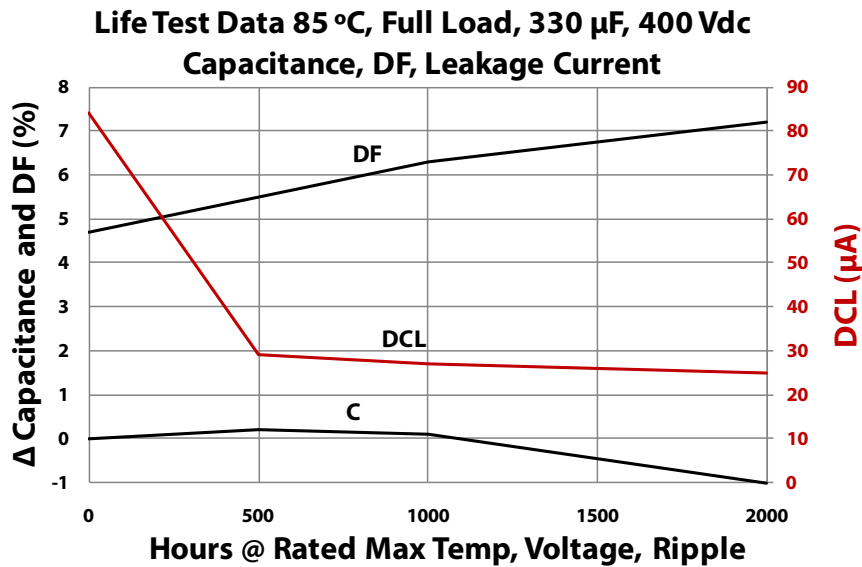
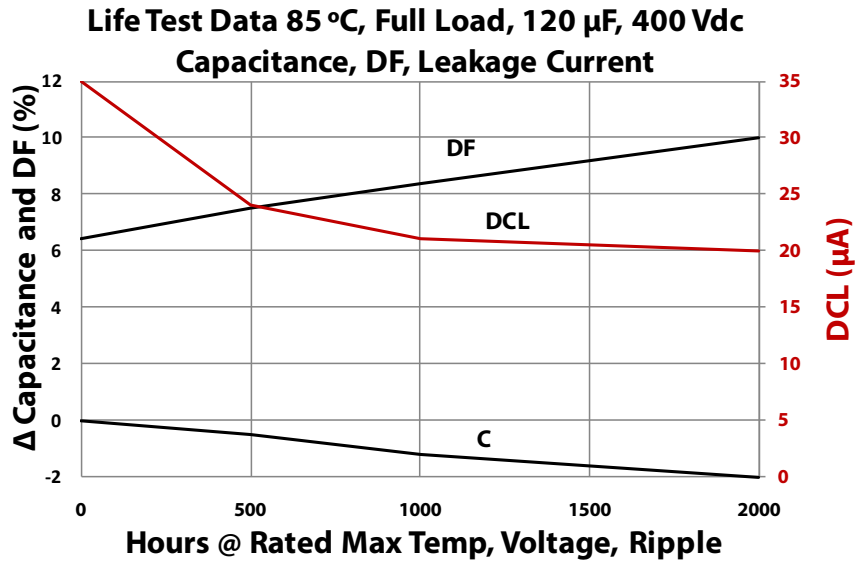
High Capacitance per Case Size

| Cap. (uF) | Catalog Part Number | Max. ESR @ +25°C | | Ripple Amps @ +85°C | | Nominal Size |
|--------------------------------|---------------------|---------------------|--------|------------------------|--------|-----------------|
| | | 120 Hz | 20 kHz | 120 Hz | 20 kHz | D x L |
| | | (ohms) | (ohms) | (A) | (A) | (mm) |
| 420 Vdc (470 Vdc Surge) | | | | | | |
| 220 | 380LQ221M420H452 | 0.905 | 0.407 | 1.50 | 2.10 | 22 x 45 |
| 270 | 380LQ271M420J452 | 0.737 | 0.332 | 1.70 | 2.30 | 25 x 45 |
| 330 | 380LQ331M420J052 | 0.603 | 0.302 | 2.01 | 2.81 | 25 x 50 |
| 330 | 380LQ331M420K022 | 0.603 | 0.302 | 1.95 | 2.75 | 30 x 30 |
| 390 | 380LQ391M420K032 | 0.510 | 0.255 | 2.15 | 3.05 | 30 x 35 |
| 390 | 380LQ391M420K042 | 0.510 | 0.255 | 2.10 | 3.00 | 30 x 40 |
| 470 | 380LQ471M420K042 | 0.423 | 0.212 | 2.45 | 3.40 | 30 x 40 |
| 470 | 380LQ471M420A032 | 0.423 | 0.212 | 2.45 | 3.40 | 35 x 35 |
| 560 | 380LQ561M420K452 | 0.355 | 0.178 | 2.75 | 3.85 | 30 x 45 |
| 560 | 380LQ561M420A042 | 0.355 | 0.178 | 2.75 | 3.85 | 35 x 40 |
| 680 | 380LQ681M420A452 | 0.293 | 0.146 | 3.10 | 4.35 | 35 x 45 |
| 450 Vdc (500 Vdc Surge) | | | | | | |
| 82 | 380LQ820M450H022 | 2.430 | 1.210 | 0.83 | 1.16 | 22 x 30 |
| 100 | 380LQ101M450H022 | 1.990 | 0.985 | 0.93 | 1.30 | 22 x 30 |
| 120 | 380LQ121M450H022 | 1.656 | 0.829 | 1.04 | 1.46 | 22 x 30 |
| 150 | 380LQ151M450H032 | 1.330 | 0.660 | 1.19 | 1.67 | 22 x 35 |
| 180 | 380LQ181M450H042 | 1.110 | 0.550 | 1.32 | 1.85 | 22 x 40 |
| 180 | 380LQ181M450J022 | 1.105 | 0.553 | 1.35 | 1.89 | 25 x 30 |
| 220 | 380LQ221M450H452 | 0.900 | 0.450 | 1.32 | 1.84 | 22 x 45 |
| 220 | 380LQ221M450J042 | 0.904 | 0.452 | 1.55 | 2.17 | 25 x 40 |
| 220 | 380LQ221M450K022 | 0.904 | 0.452 | 1.55 | 2.17 | 30 x 30 |
| 220 | 380LQ221M450A012 | 0.904 | 0.452 | 1.55 | 2.17 | 35 x 25 |
| 270 | 380LQ271M450H052 | 0.740 | 0.370 | 1.72 | 2.42 | 22 x 50 |
| 270 | 380LQ271M450K022 | 0.737 | 0.368 | 1.78 | 2.49 | 30 x 30 |
| 330 | 380LQ331M450J052 | 0.600 | 0.300 | 2.01 | 2.81 | 25 x 50 |
| 330 | 380LQ331M450K032 | 0.603 | 0.302 | 1.90 | 2.60 | 30 x 35 |
| 330 | 380LQ331M450K042 | 0.603 | 0.302 | 2.01 | 2.81 | 30 x 40 |
| 330 | 380LQ331M450A022 | 0.600 | 0.300 | 2.01 | 2.81 | 35 x 30 |
| 390 | 380LQ391M450K042 | 0.510 | 0.255 | 2.24 | 3.14 | 30 x 40 |
| 390 | 380LQ391M450A032 | 0.510 | 0.255 | 2.24 | 3.14 | 35 x 35 |
| 470 | 380LQ471M450K452 | 0.423 | 0.212 | 2.53 | 3.54 | 30 x 45 |
| 470 | 380LQ471M450A042 | 0.423 | 0.212 | 2.53 | 3.54 | 35 x 40 |
| 560 | 380LQ561M450K052 | 0.355 | 0.178 | 2.82 | 3.95 | 30 x 50 |
| 560 | 380LQ561M450A452 | 0.355 | 0.178 | 2.82 | 3.95 | 35 x 45 |
| 680 | 380LQ681M450A052 | 0.293 | 0.146 | 3.00 | 4.25 | 35 x 50 |

Type 380LQ 85 °C Compact, High Capacitance Snap-in Capacitors

High Capacitance per Case Size

Typical Performance Curves



Notice and Disclaimer: All product drawings, descriptions, specifications, statements, information and data (collectively, the "Information") in this datasheet or other publication are subject to change. The customer is responsible for checking, confirming and verifying the extent to which the Information contained in this datasheet or other publication is applicable to an order at the time the order is placed. All Information given herein is believed to be accurate and reliable, but it is presented without any guarantee, warranty, representation or responsibility of any kind, expressed or implied. Statements of suitability for certain applications are based on the knowledge that the Cornell Dubilier company providing such statements ("Cornell Dubilier") has of operating conditions that such Cornell Dubilier company regards as typical for such applications, but are not intended to constitute any guarantee, warranty or representation regarding any such matter – and Cornell Dubilier specifically and expressly disclaims any guarantee, warranty or representation concerning the suitability for a specific customer application, use, storage, transportation, or operating environment. The Information is intended for use only by customers who have the requisite experience and capability to determine the correct products for their application. Any technical advice inferred from this Information or otherwise provided by Cornell Dubilier with reference to the use of any Cornell Dubilier products is given gratis (unless otherwise specified by Cornell Dubilier), and Cornell Dubilier assumes no obligation or liability for the advice given or results obtained. Although Cornell Dubilier strives to apply the most stringent quality and safety standards regarding the design and manufacturing of its products, in light of the current state of the art, isolated component failures may still occur. Accordingly, customer applications which require a high degree of reliability or safety should employ suitable designs or other safeguards (such as installation of protective circuitry or redundancies or other appropriate protective measures) in order to ensure that the failure of an electrical component does not result in a risk of personal injury or property damage. Although all product-related warnings, cautions and notes must be observed, the customer should not assume that all safety measures are indicated in such warnings, cautions and notes, or that other safety measures may not be required.