



Chipsmall Limited consists of a professional team with an average of over 10 year of expertise in the distribution of electronic components. Based in Hongkong, we have already established firm and mutual-benefit business relationships with customers from,Europe,America and south Asia,supplying obsolete and hard-to-find components to meet their specific needs.

With the principle of “Quality Parts,Customers Priority,Honest Operation,and Considerate Service”,our business mainly focus on the distribution of electronic components. Line cards we deal with include Microchip,ALPS,ROHM,Xilinx,Pulse,ON,Everlight and Freescale. Main products comprise IC,Modules,Potentiometer,IC Socket,Relay,Connector.Our parts cover such applications as commercial,industrial, and automotives areas.

We are looking forward to setting up business relationship with you and hope to provide you with the best service and solution. Let us make a better world for our industry!



## Contact us

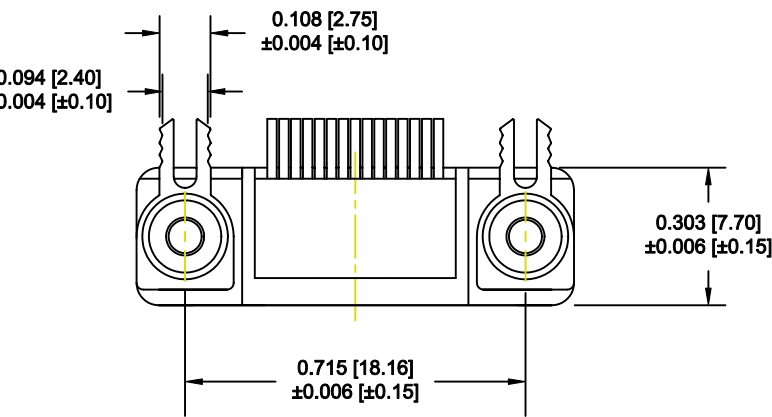
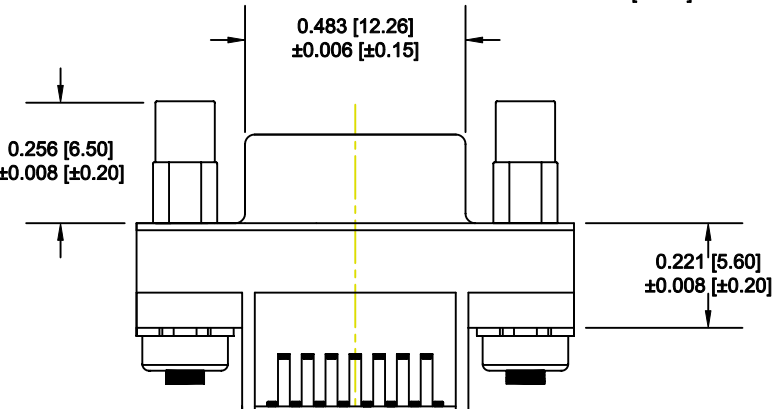
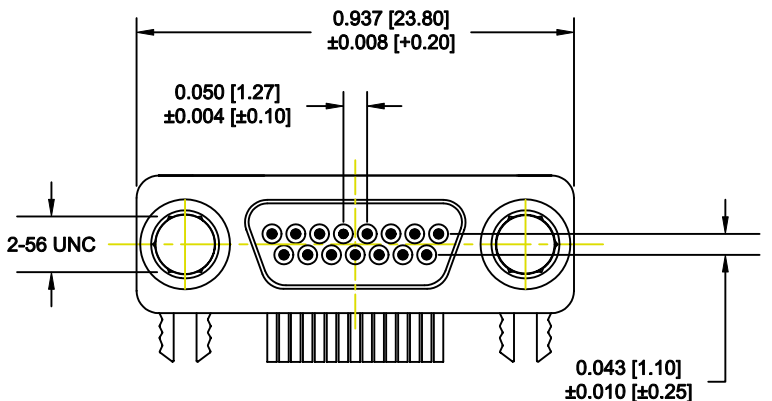
Tel: +86-755-8981 8866 Fax: +86-755-8427 6832

Email & Skype: info@chipsmall.com Web: www.chipsmall.com

Address: A1208, Overseas Decoration Building, #122 Zhenhua RD., Futian, Shenzhen, China



DESCRIPTION: MICRO D-SUB CONNECTOR - MALE - RIGHT ANGLE



**ELECTRICAL**

CONTACT CURRENT RATING: 1 AMP  
 DIELECTRIC WITHSTANDING VOLTAGE: 500 VAC  
 INSULATION RESISTANCE: 1000 MOhms MIN.  
 CONTACT RESISTANCE: 45 MILLI Ohms MAX.  
 OPERATING TEMPERATURE: -55°C TO +85°C

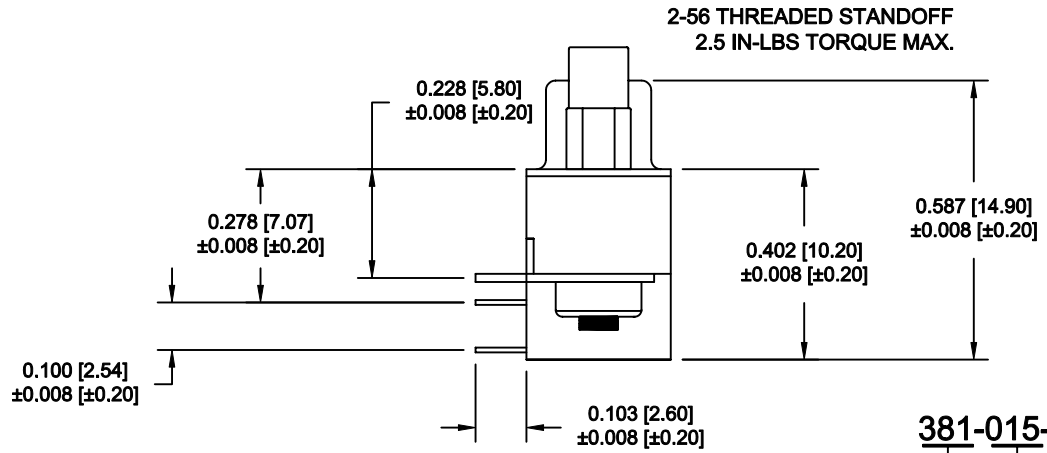
**MATERIALS**

CONTACTS: COPPER ALLOY  
 INSULATOR: THERMOPLASTIC 94V-0  
 SHELL: COLD ROLLER STEEL

**FINISHES**

CONTACT: 15 μ" MIN. GOLD ON MATING END  
 TIN ON TERMINATION END  
 ALL UNDERPLATING NICKEL  
 SHELL: BRIGHT TIN OVER COPPER

**HARDWARE**



2-56 THREADED STANDOFF  
 2.5 IN-LBS TORQUE MAX.

**381-015-112L5Y5**

SERIES  
 POSITIONS  
 GENDER  
 1 = MALE  
 TERMINATION  
 1 = DIP SOLDER  
 SHELL PLATING  
 2 = TIN  
 RoHS COMPLIANT  
 HARDWARE OPTIONS  
 1 = BOARDLOCKS ONLY  
 6 = STANDOFFS & BOARDLOCKS  
 PLATING OPTIONS  
 5 = 15u" GOLD PLATING

DO NOT SCALE FROM DRAWING

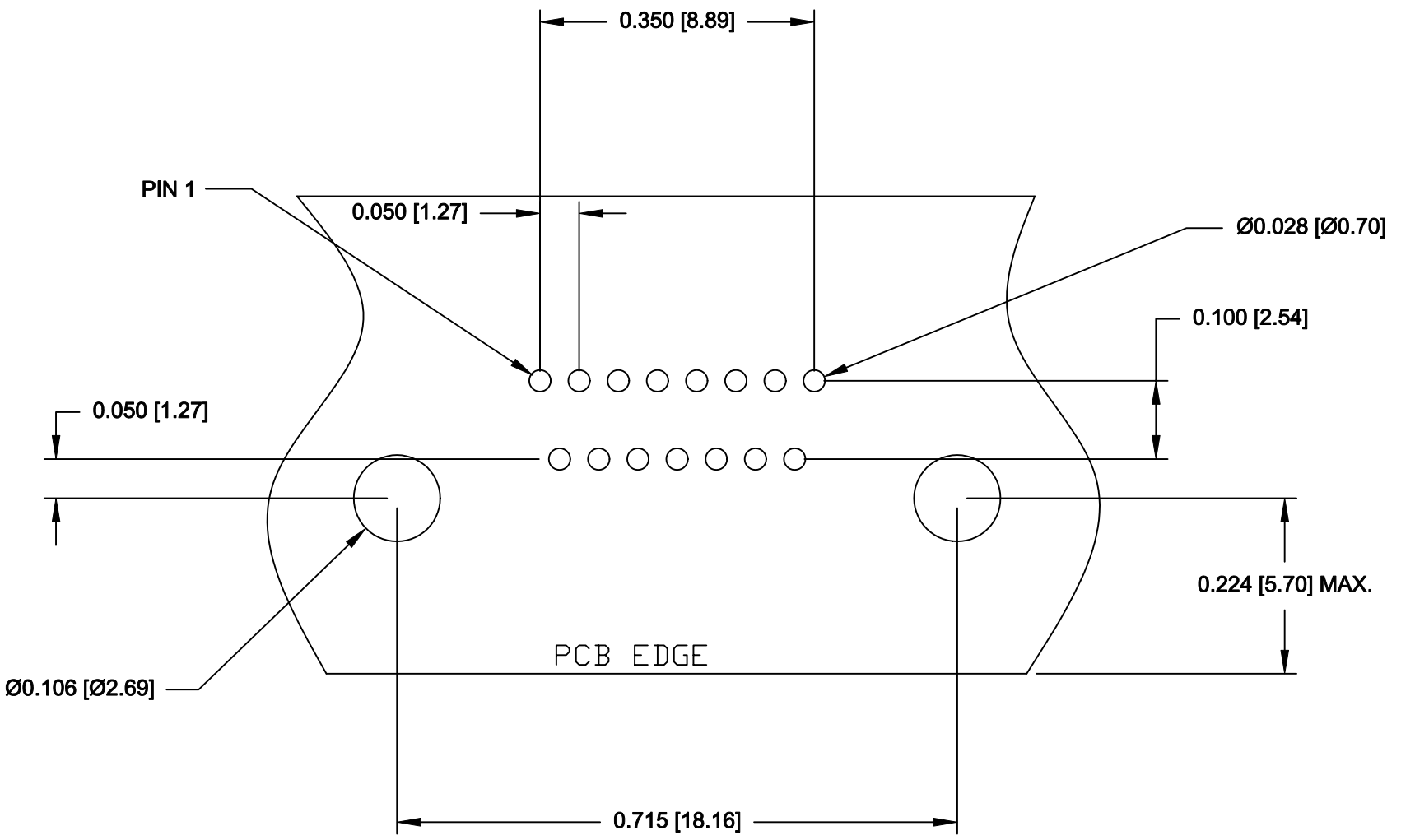


THESE DRAWINGS AND SPECIFICATIONS ARE THE PROPERTY OF NorComp AND SHALL NOT BE REPRODUCED, COPIED OR USED AS THE BASIS FOR THE MANUFACTURE OF SALE OF APPARATUS WITHOUT WRITTEN PERMISSION.

|                                   |                   |                          |                 |
|-----------------------------------|-------------------|--------------------------|-----------------|
| DRAWN:<br><b>M. SIGMON</b>        |                   | DATE:<br><b>08-22-11</b> |                 |
| CHECKED:                          |                   | DATE:                    |                 |
| SCALE:<br><b>2.5 : 1</b>          | SHEET<br><b>1</b> | OF<br><b>2</b>           | REV<br><b>3</b> |
| DWG NO.<br><b>381-015-112L565</b> |                   |                          |                 |


**RoHS COMPLIANT**

**NorComp**



RECOMMENDED PC BOARD LAYOUT  
(15 POSITION ONLY) TOLERANCE ±0.002 [±0.05]

DO NOT SCALE FROM DRAWING

|  |   |                                |                                  |                          |
|--|---|--------------------------------|----------------------------------|--------------------------|
|  | THESE DRAWINGS AND SPECIFICATIONS ARE THE PROPERTY OF NorComp AND SHALL NOT BE REPRODUCED, COPIED OR USED AS THE BASIS FOR THE MANUFACTURE OF SALE OF APPARATUS WITHOUT WRITTEN PERMISSION. |                                | DRAWN:<br><b>M. SIGMON</b>       | DATE:<br><b>08-22-11</b> |
|  |   |                                | CHECKED:                         | DATE:                    |
| <h1>NorComp</h1>   |   | SCALE:<br><b>5 : 1</b>         | SHEET<br><b>2</b> OF<br><b>2</b> | REV<br><b>3</b>          |
|  |   | DWG NO. <b>381-015-112L565</b> |                                  |                          |

RoHS COMPLIANT