



Chipsmall Limited consists of a professional team with an average of over 10 year of expertise in the distribution of electronic components. Based in Hongkong, we have already established firm and mutual-benefit business relationships with customers from,Europe,America and south Asia,supplying obsolete and hard-to-find components to meet their specific needs.

With the principle of “Quality Parts,Customers Priority,Honest Operation,and Considerate Service”,our business mainly focus on the distribution of electronic components. Line cards we deal with include Microchip,ALPS,ROHM,Xilinx,Pulse,ON,Everlight and Freescale. Main products comprise IC,Modules,Potentiometer,IC Socket,Relay,Connector.Our parts cover such applications as commercial,industrial, and automotives areas.

We are looking forward to setting up business relationship with you and hope to provide you with the best service and solution. Let us make a better world for our industry!



Contact us

Tel: +86-755-8981 8866 Fax: +86-755-8427 6832

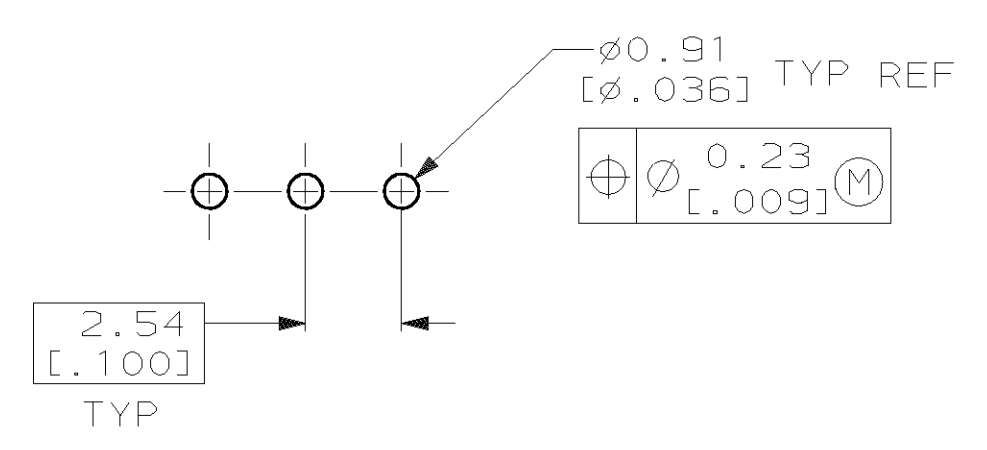
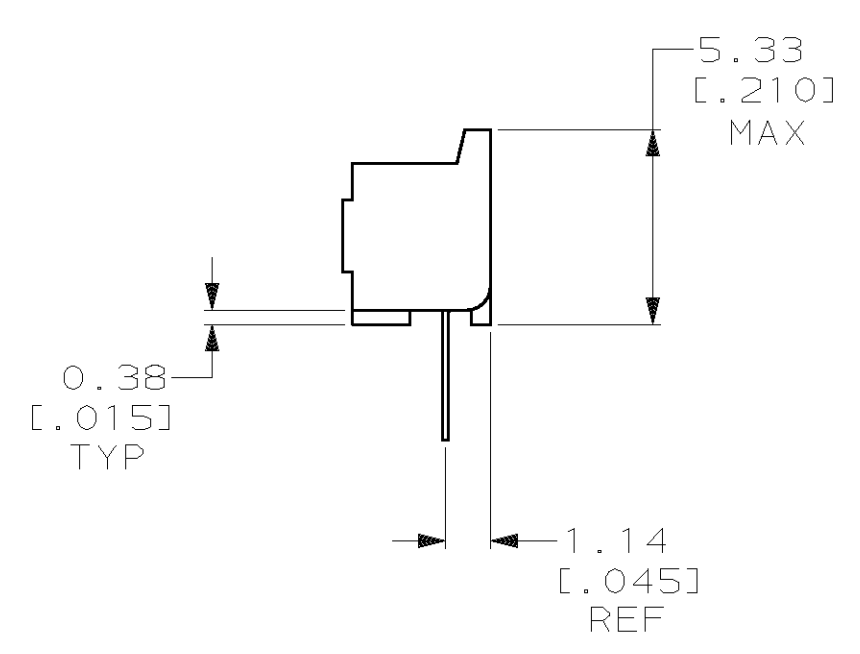
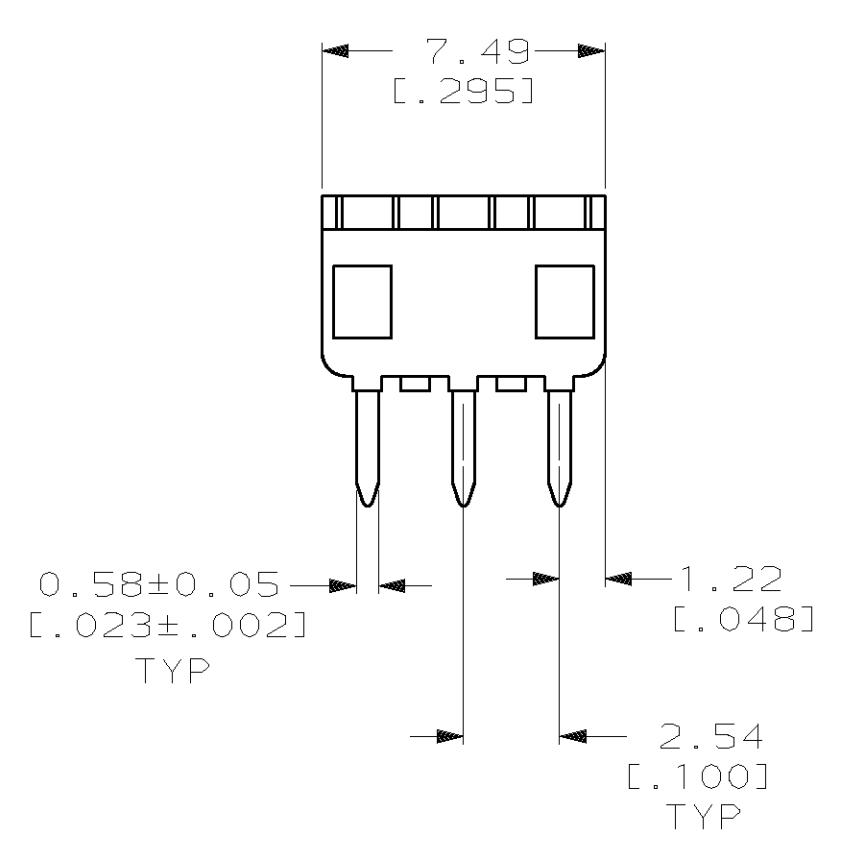
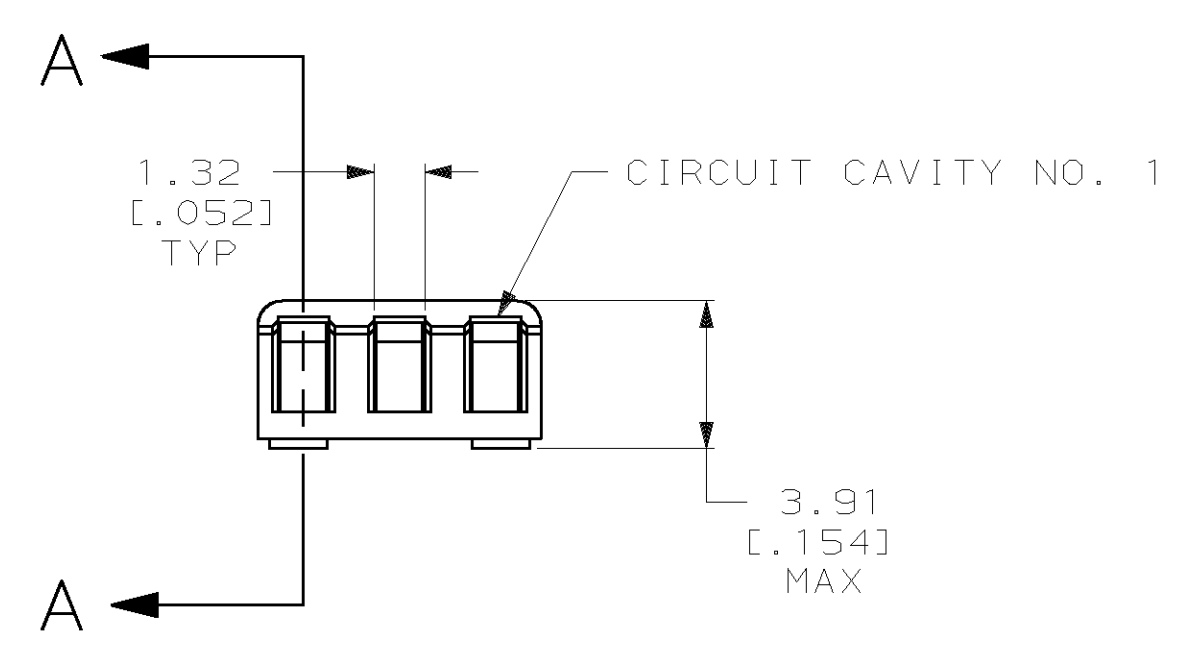
Email & Skype: info@chipsmall.com Web: www.chipsmall.com

Address: A1208, Overseas Decoration Building, #122 Zhenhua RD., Futian, Shenzhen, China

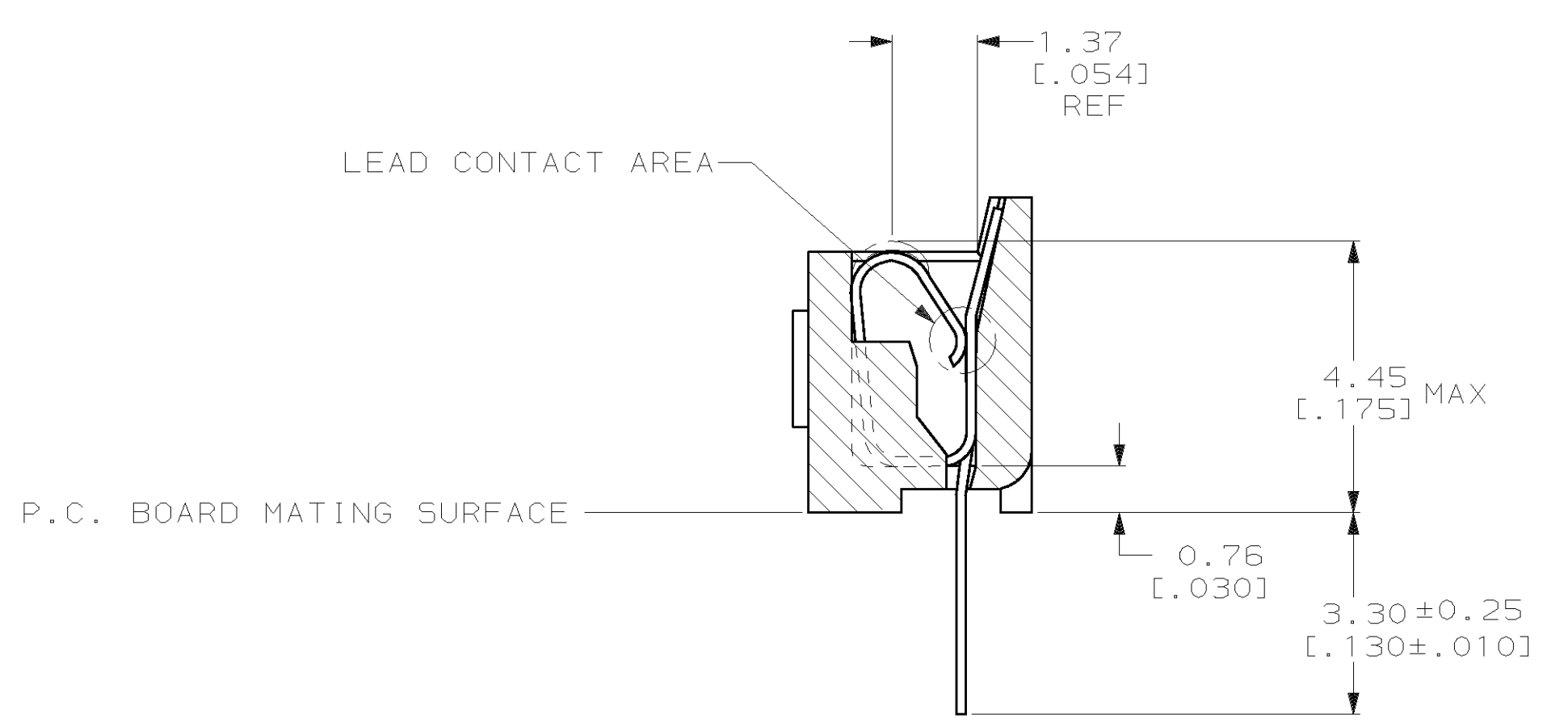


LOC		DIST		REVISIONS			
FT	64	TR	LYR	DESCRIPTION	DATE	DWN	APVD
		D	REV PER	063C-0104-01	19JUL01	RB	JO

- RECEPTACLE ACCEPTS AN 0.20-0.36 [.008-.014] THK I.C. LEAD.
- TWO 0.00076 [.000030] MIN THK GOLD STRIPES IN CONTACT AREA, TIN-LEAD ON CONTACT LEGS, BALANCE OF CONTACT NICKEL PLATED.



RECOMMENDED MOUNTING HOLE PATTERN



SECTION A-A
 ROTATED 90° CW
 SCALE 10:1

OBSOLETE	TINNED	PHOS.BRZ.	GLASS-FILLED THERMOPLASTIC, 94V-0, BLACK	382437-3
		BE.CU.	GLASS-FILLED THERMOPLASTIC, 94V-0, BLACK	382437-2
	TINNED	BE.CU.	GLASS-FILLED THERMOPLASTIC, 94V-0, BLACK	382437-1
	CONTACT FINISH	CONTACT MAT'L	HOUSING MATERIAL	PART NO.

THIS DRAWING IS A CONTROLLED DOCUMENT.

DIMENSIONS: mm (INCHES)	TOLERANCES UNLESS OTHERWISE SPECIFIED:	DWN: K. SALMON 16 JAN 90	AMP Incorporated Harrisburg, PA 17105-3608
0 PLC ±-	1 PLC ±-	CHK: R. MILLER 16 JAN 90	NAME: R. PRIDDY 25 JAN 90
2 PLC ±0.13 [.005]	3 PLC ±-	PRODUCT SPEC: 108-1066	SIZE: A1
4 PLC ±-	ANGLES ±-	APPLICATION SPEC: 114-1049	CAGE CODE: DRAWING NO: 00779C-382437
MATERIAL: SEE TABLE	FINISH: SEE TABLE	WEIGHT: -	RESTRICTED TO: -
CUSTOMER DRAWING		SCALE: 5:1	SHEET 1 OF 1 REV 0