



Chipsmall Limited consists of a professional team with an average of over 10 year of expertise in the distribution of electronic components. Based in Hongkong, we have already established firm and mutual-benefit business relationships with customers from,Europe,America and south Asia,supplying obsolete and hard-to-find components to meet their specific needs.

With the principle of “Quality Parts,Customers Priority,Honest Operation,and Considerate Service”,our business mainly focus on the distribution of electronic components. Line cards we deal with include Microchip,ALPS,ROHM,Xilinx,Pulse,ON,Everlight and Freescale. Main products comprise IC,Modules,Potentiometer,IC Socket,Relay,Connector.Our parts cover such applications as commercial,industrial, and automotives areas.

We are looking forward to setting up business relationship with you and hope to provide you with the best service and solution. Let us make a better world for our industry!



Contact us

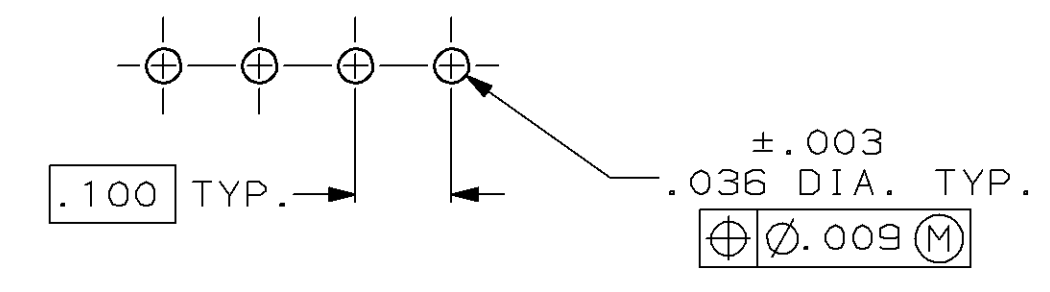
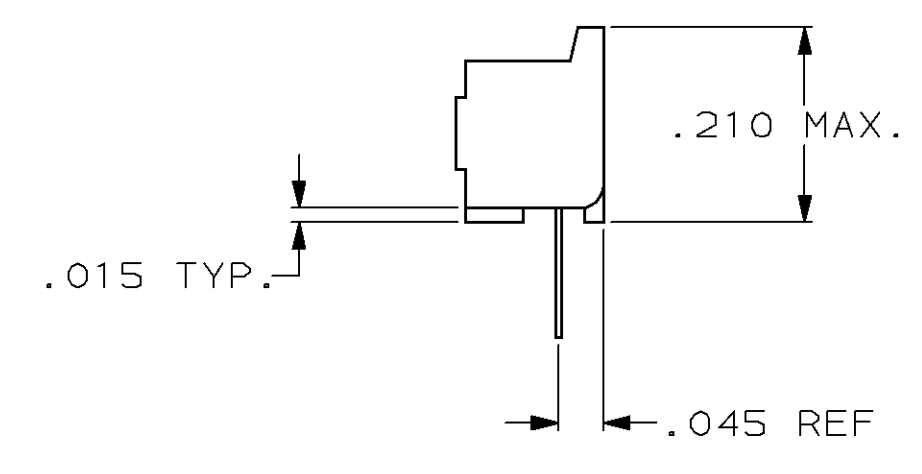
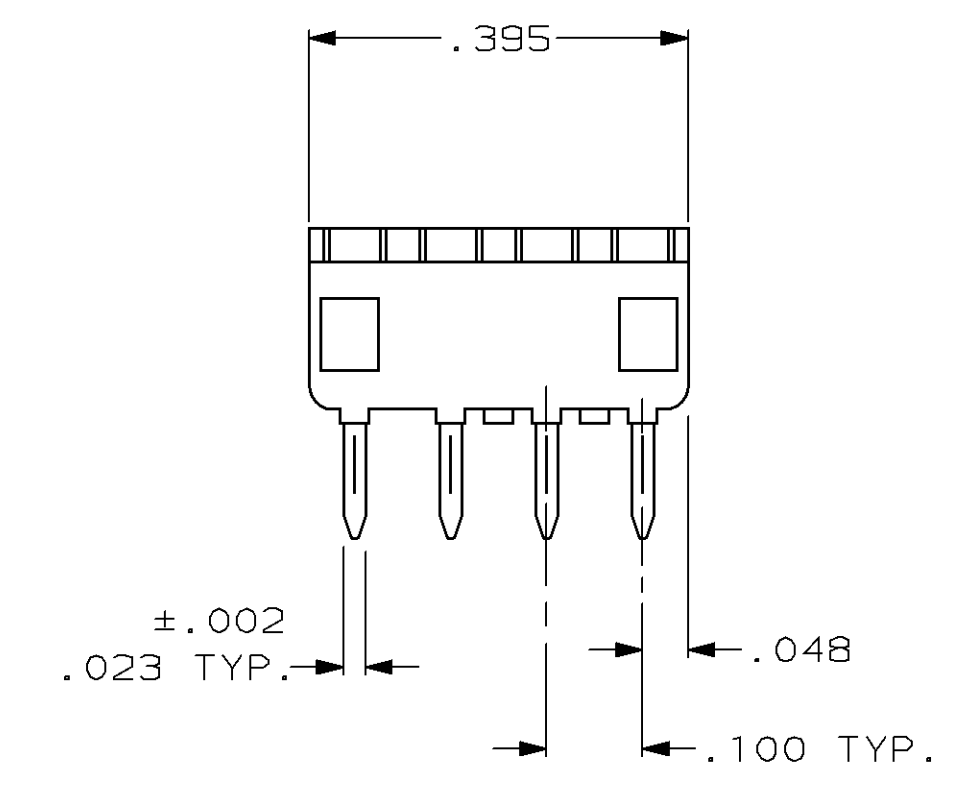
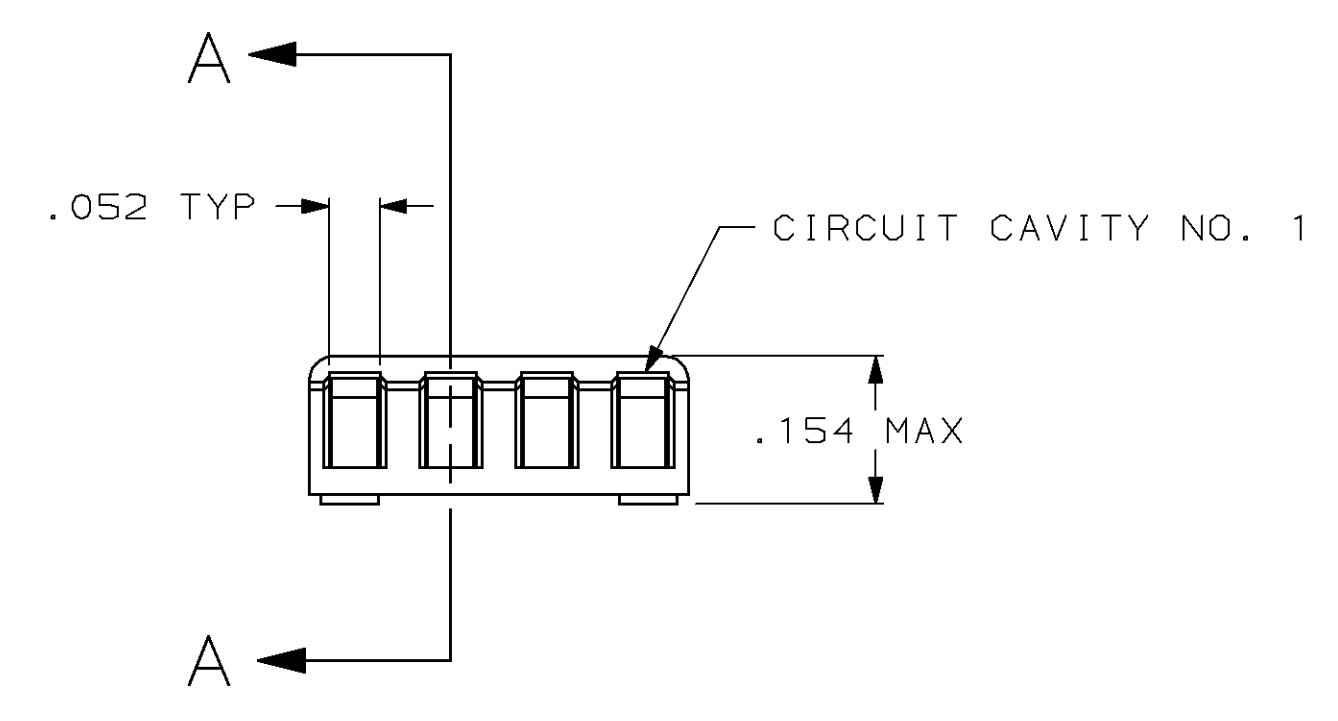
Tel: +86-755-8981 8866 Fax: +86-755-8427 6832

Email & Skype: info@chipsmall.com Web: www.chipsmall.com

Address: A1208, Overseas Decoration Building, #122 Zhenhua RD., Futian, Shenzhen, China

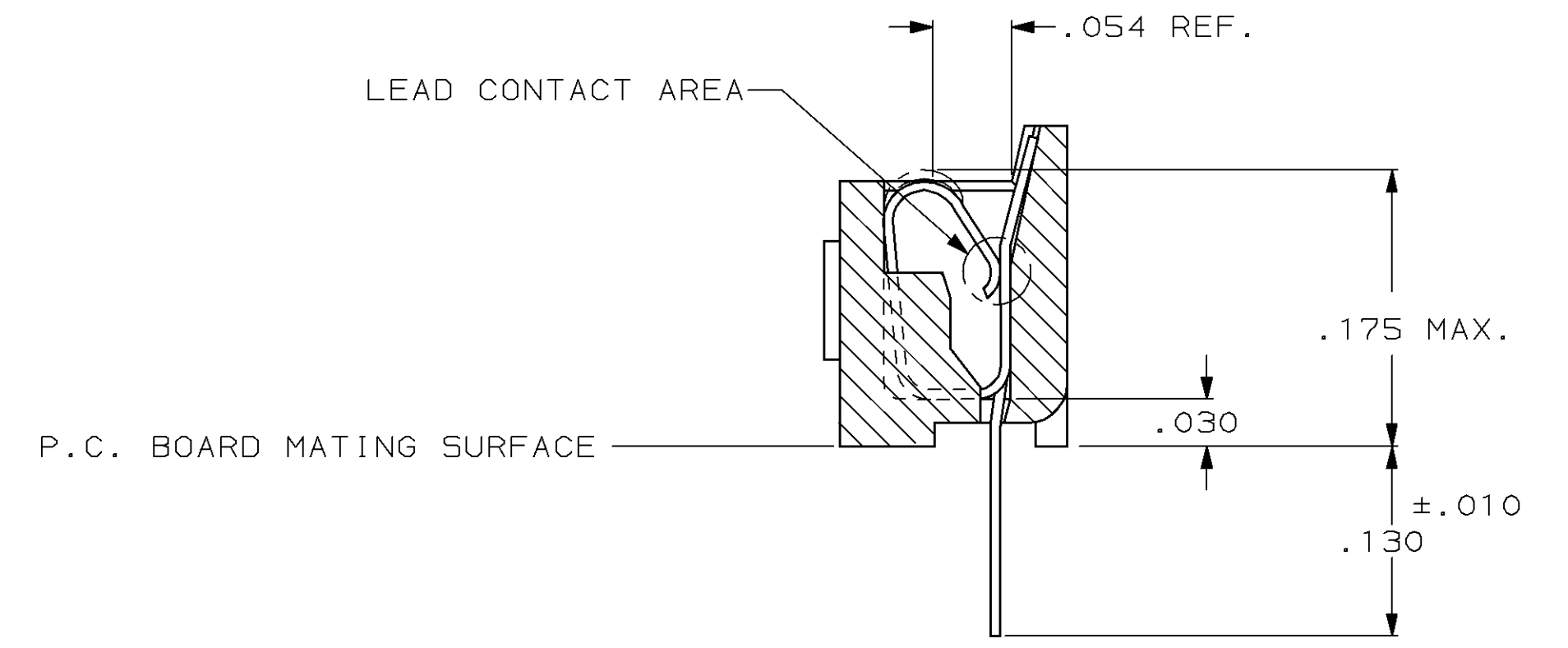


LOC	DIST	REVISIONS			
P	LTR	DESCRIPTION	DATE	DWN	APVD
FT	64				
C		REV PER EC 0320-138-97	28 APR 97	BC	GJ
D		REV PER EC 0330-35-97	21 JUL 97	DH	GJ



RECOMMENDED MOUNTING HOLE PATTERN

1. RECEPTACLE ACCEPTS AN .008-.014 THK. I.C. LEAD.



SECTION A-A
 ROTATED 90° CW
 SCALE 10:1

TINNED	PHOS.BRZ.	GLASS-FILLED THERMOPLASTIC, 94V-0, BLACK	382438-3
TINNED	BE.CU.	GLASS-FILLED THERMOPLASTIC, 94V-0, BLACK	382438-1
CONTACT FINISH	CONTACT MAT'L	HOUSING MATERIAL	PART NO.

THIS DRAWING IS A CONTROLLED DOCUMENT.		DWN K. SALMON	28 APR 97	AMP AMP Incorporated Harrisburg, PA 17105-3508
DIMENSIONS INCHES		CHK R. MILLER		
TOLERANCES UNLESS OTHERWISE SPECIFIED:		APVD R. PRIDDY		NAME
0 PLC	±-	PRODUCT SPEC		108-1066
1 PLC	±-	APPLICATION SPEC		114-1049
2 PLC	±-	WEIGHT		A1 00779
3 PLC	±.005			382438
4 PLC	±-			
ANGLES	±-			
FINISH	SEE TABLE			