



Chipsmall Limited consists of a professional team with an average of over 10 year of expertise in the distribution of electronic components. Based in Hongkong, we have already established firm and mutual-benefit business relationships with customers from,Europe,America and south Asia,supplying obsolete and hard-to-find components to meet their specific needs.

With the principle of “Quality Parts,Customers Priority,Honest Operation,and Considerate Service”,our business mainly focus on the distribution of electronic components. Line cards we deal with include Microchip,ALPS,ROHM,Xilinx,Pulse,ON,Everlight and Freescale. Main products comprise IC,Modules,Potentiometer,IC Socket,Relay,Connector.Our parts cover such applications as commercial,industrial, and automotives areas.

We are looking forward to setting up business relationship with you and hope to provide you with the best service and solution. Let us make a better world for our industry!



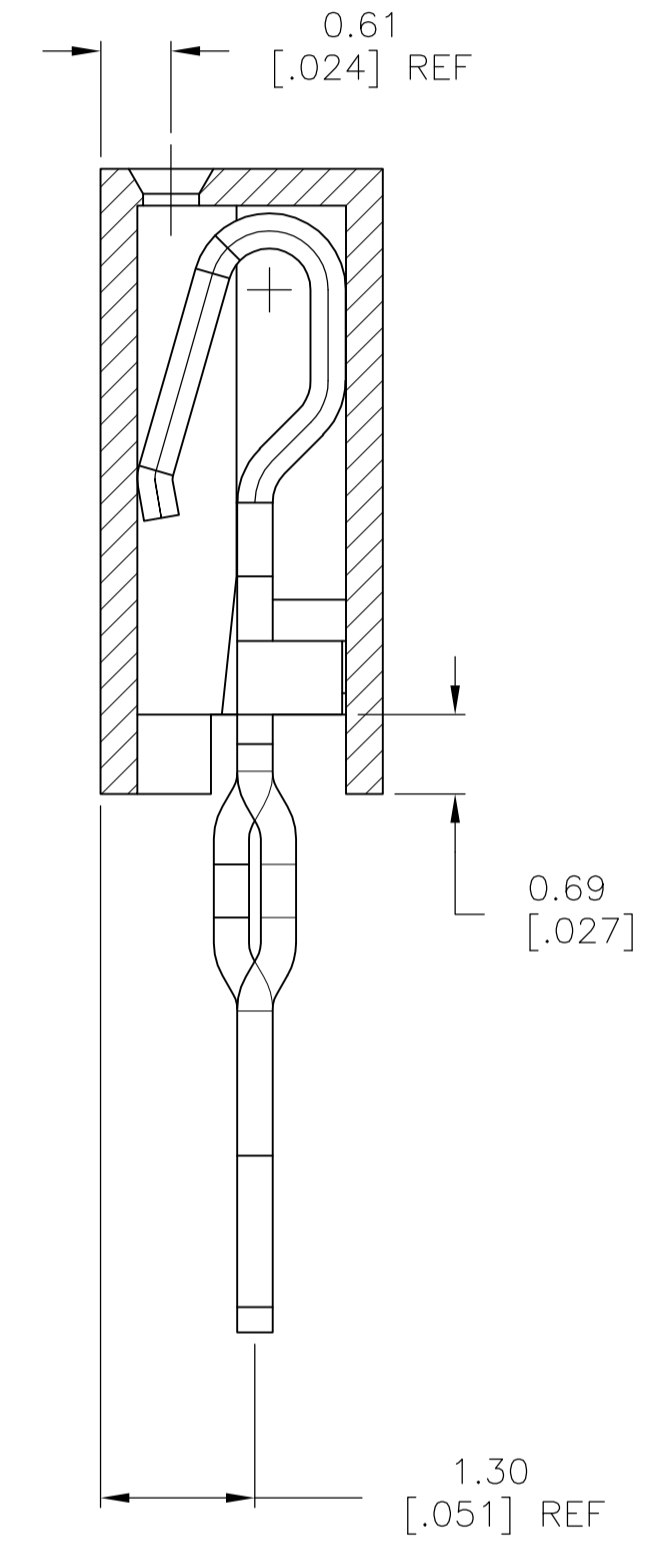
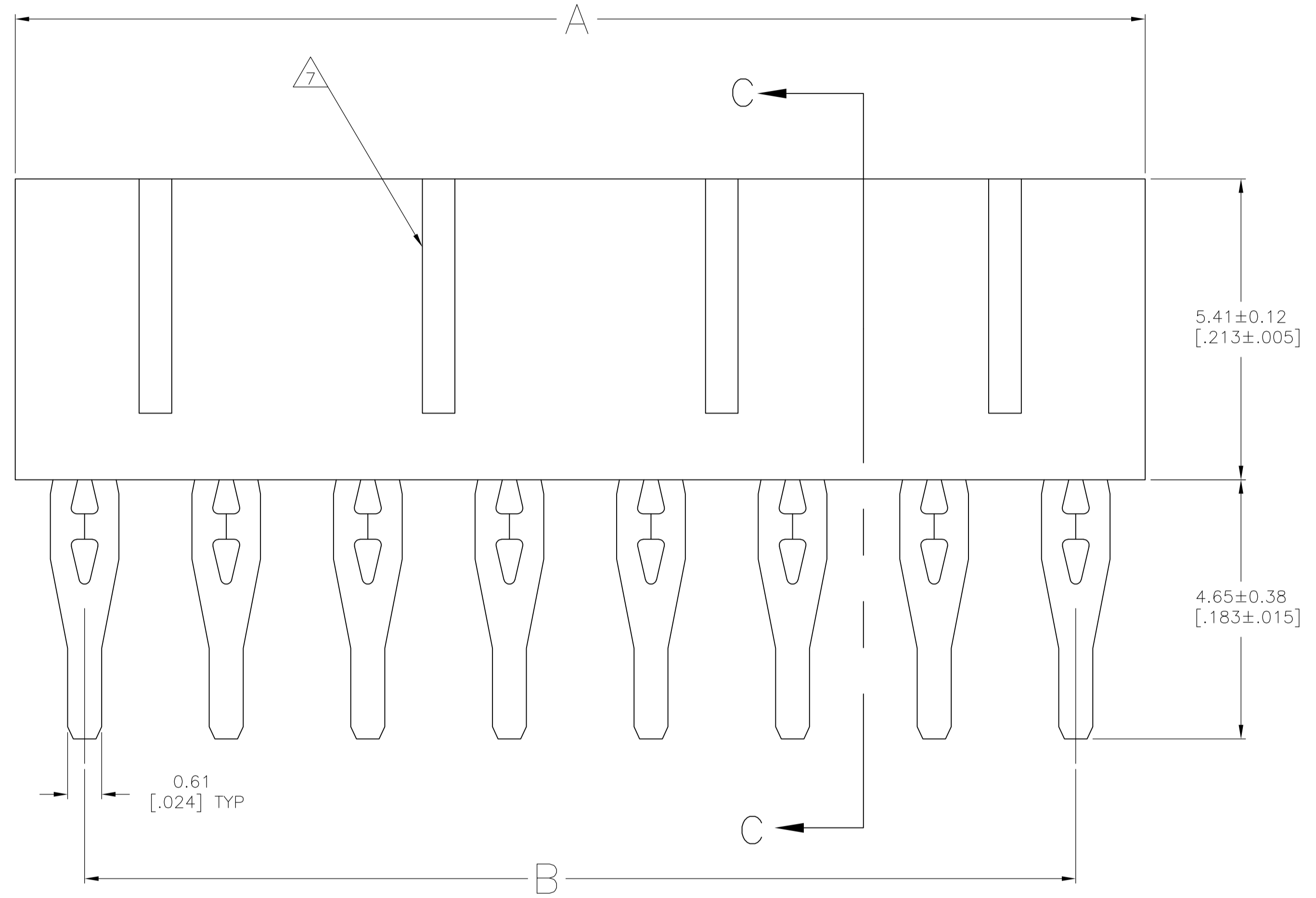
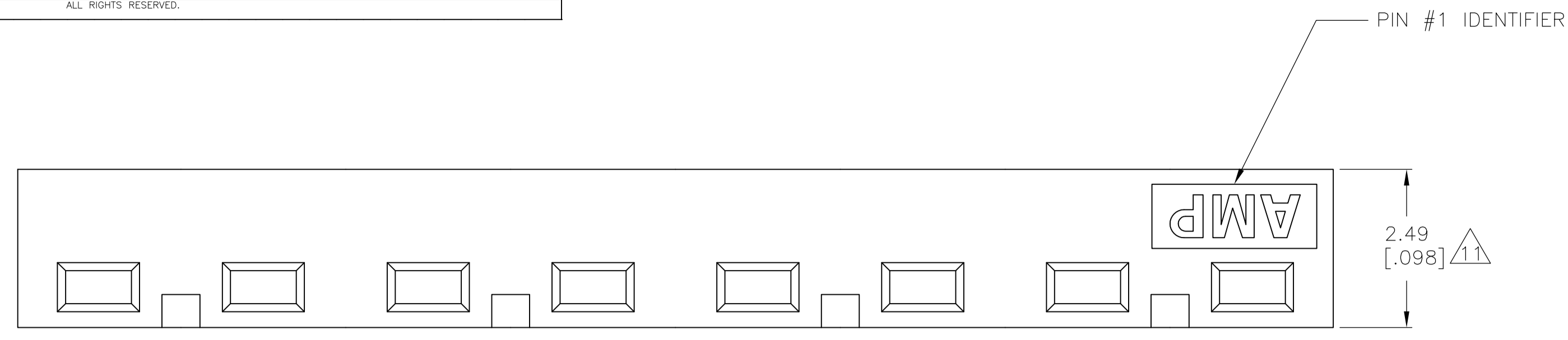
## Contact us

Tel: +86-755-8981 8866 Fax: +86-755-8427 6832

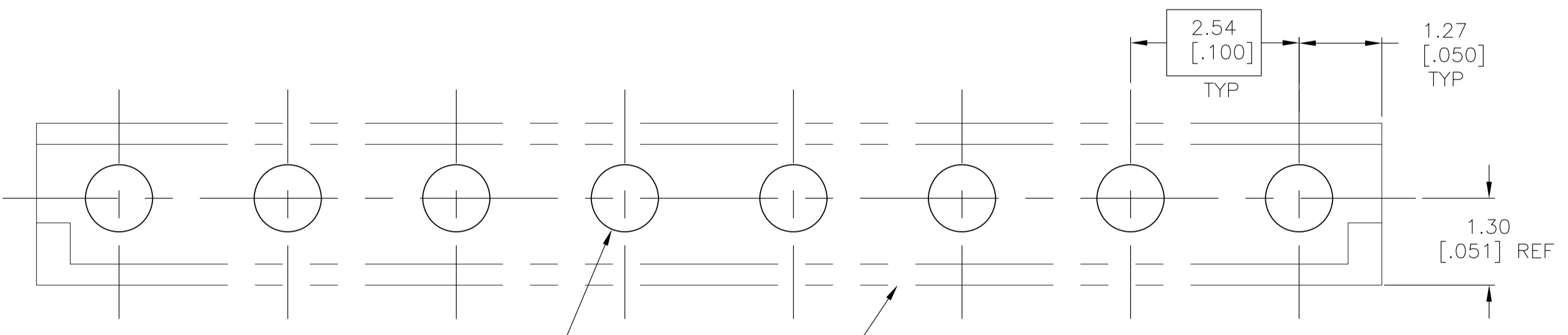
Email & Skype: info@chipsmall.com Web: www.chipsmall.com

Address: A1208, Overseas Decoration Building, #122 Zhenhua RD., Futian, Shenzhen, China





- SOCKET OPERATING TEMPERATURE RANGE:  
-55° C TO 105° C.
  - SOCKET INSERTED VIA "FLAT ROCK" TOOLING INTO  
-1.4 [.055] MINIMUM AND THICKER P.C.BOARDS.
  - EXPECTED SOCKET LIFE: ONE INSERTION AND  
-WITHDRAWAL CYCLE INTO P. C. BOARD. P. C. BOARD  
-HOLES CAN BE REUSED WITH NEW SOCKETS.
  - ACCEPTS 0.203[.008]-0.381[.015] THICK X 0.254  
-[.010]-0.762[.030] WIDE, TIN-LEAD PLATED,  
-RECTANGULAR COMPONENT LEADS AND 0.254[0.10]-  
-0.457 [.018] DIA, TIN-LEAD PLATED, ROUND  
-LEADS .318[.125]-5.08[.200] LONG.
  - CONTACT NORMAL FORCE AND LEAD RETENTION  
-VALUES ARE MAINTAINED ONLY WHEN A SOCKET IS  
-USED FOR REPEATED ACCEPTANCE OF COMPONENT  
-LEADS OF THE SAME SIZE AS THOSE PREVIOUSLY  
-INSERTED OR LARGER. WHEN A COMPONENT WITH  
-LARGE DIAMETER LEADS IS TO BE REPLACED WITH  
-A COMPONENT WITH SMALL CROSS SECTION LEADS,  
-THE SOCKET MUST BE REPLACED ALSO.
  - MULTIPLE SOCKETS CAN BE POSITIONED ON A 2.54  
-[.100] CENTERLINE GRID.
- 7 - SLOTS ALONG SIDE OF HOUSING ARE INTENDED TO  
-FUNCTION AS VISUAL ORIENTATION FEATURES TO  
-ASSIST IN PLACING SOCKETS CORRECTLY IN P.C.  
-BOARDS.
- 8 P.C. BOARD REQUIREMENTS:  
DRILLED HOLE DIAMETER SHALL BE 1.15 ±0.025  
[.0453±.0010], COPPER PLATING THICKNESS SHALL  
BE 0.025 [.001] TO 0.076 [.003], TIN/LEAD PLATING  
THICKNESS SHALL BE 0.0076 [.0003] MINIMUM.
- 9 CONTACT MATERIAL, PHOSPHOR BRONZE .0120 STOCK
- 10 CONTACT FINISH: 93/7 TIN-LEAD PLATE, 0.00381  
[.000150] MIN THICKNESS.
- 11 MAXIMUM WIDTH OF .100 ALLOWED AT ENDS ONLY.
- 12 OBSOLETE PARTS: OBSOLETE CIS STREAMLINING PER D.RENAUD/D.SINISI



8  $\Delta$   $\varnothing 1.016 \pm 0.076$  DIA HOLE TYP  
[.040 ± .003]  
 $\varnothing 0.23 [0.009]$

STANDOFF OUTLINE

RECOMMENDED P.C. BOARD HOLE LAYOUT  
(COMPONENT SIDE)

12 $\Delta$	OBSOLETE	20.32[.008]	22.86[.900]	9	382444-5
	OBSOLETE	27.94[1.100]	30.48[1.200]	12	<del>382444-4</del>
		22.86[.900]	25.4[1.000]	10	382444-3
		17.78[.700]	20.32[.800]	8	382444-2
		12.7[.500]	15.24[.600]	6	382444-1
	B	A	NO OF POSITION	PART NUMBER	

THIS DRAWING IS A CONTROLLED DOCUMENT.

DIMENSIONS: mm [INCHES]	TOLERANCES UNLESS OTHERWISE SPECIFIED:	DIN R MARION 07JUL94	APVD M HUDDLESTON	NAME
0 PLC ± -	1 PLC ± -	CHK R TALLEY 07JUL94	PRODUCT SPEC	108-1251
2 PLC ± -	3 PLC ± 0.13 [.005]		APPLICATION SPEC	114-25039
4 PLC ± -	ANGLES ± -		WEIGHT	

MATERIAL HOUSING: LCP CONTACT:  $\Delta$

FINISH CONTACT:  $\Delta$

STE TE Connectivity

SOCKET ASSY, COMPLIANT PIN, SIP

SIZE: A1 CASE CODE: 00779 DRAWING NO: 382444

CUSTOMER DRAWING SCALE: 15:1 SHEET: 1 OF 1 REV: E2