



Chipsmall Limited consists of a professional team with an average of over 10 year of expertise in the distribution of electronic components. Based in Hongkong, we have already established firm and mutual-benefit business relationships with customers from,Europe,America and south Asia,supplying obsolete and hard-to-find components to meet their specific needs.

With the principle of “Quality Parts,Customers Priority,Honest Operation,and Considerate Service”,our business mainly focus on the distribution of electronic components. Line cards we deal with include Microchip,ALPS,ROHM,Xilinx,Pulse,ON,Everlight and Freescale. Main products comprise IC,Modules,Potentiometer,IC Socket,Relay,Connector.Our parts cover such applications as commercial,industrial, and automotives areas.

We are looking forward to setting up business relationship with you and hope to provide you with the best service and solution. Let us make a better world for our industry!



## Contact us

Tel: +86-755-8981 8866 Fax: +86-755-8427 6832

Email & Skype: info@chipsmall.com Web: www.chipsmall.com

Address: A1208, Overseas Decoration Building, #122 Zhenhua RD., Futian, Shenzhen, China



# Fuse Holders and Blocks



Section Contents	Page
OPM-1038 3-pole fuse holders with disconnect switch . . . . .	250
OPM-1038 3-pole fuse holders . . . . .	251
OPMNGA- 3-pole Class CC and 1 1/2" X 1 1/2" fuse overcurrent protection modules . . . . .	252-253
CH Series Class J modular fuse holders . . . . .	254
JT(N)60030 & JT(N)600600 Safety J™ Class J fuse holders . . . . .	255-256
<b>CH Series Global Modular fuse holders . . . . .</b>	<b>257-258</b>
SAMI™ fuse covers . . . . .	259
H250 & R250 Series 250V Class H (K) and R fuse blocks . . . . .	260-262
H600 & R600 600V Class H (K) and R fuse blocks . . . . .	263-265
J600 Series Class J fuse blocks . . . . .	266-267
JP Series Class J fuse blocks . . . . .	268
JA60030 add-a-pole Class J fuse blocks . . . . .	268
T300 300V Class T fuse blocks . . . . .	269-270
T600 600V Class T fuse blocks . . . . .	271-272
BCA Series Class CC add-a-pole modular fuse blocks . . . . .	273
BMA Series 1 1/2" X 1 1/2" fuse add-a-pole modular fuse blocks . . . . .	273
BC Series Class CC fuse blocks . . . . .	274
BM Series Type M 1 1/2" X 1 1/2" fuse blocks . . . . .	274
BG & G Series Class G fuse blocks . . . . .	274
BH Series high speed fuse modular fuse blocks . . . . .	275
Class H & J modular fuse blocks . . . . .	275
Plug fuse box cover units . . . . .	276
HFB & HEB-10 in-line fuse holders for 1/4" X 1 1/4" fuses . . . . .	277, 279
HHB & HRK universal in-line fuse holders for 1/4" dia. fuses . . . . .	277
HR & HM Series in-line fuse holders for 1/4" dia. fuses . . . . .	278
HFA Series waterproof in-line fuse holders for 1/4" X 1 1/4" fuses . . . . .	278
HHT Series in-line fuse holders for 5 X 15 to 20mm fuses . . . . .	278
Tron® in-line fuse holders . . . . .	279-280
Panel mounted fuse holders for 5 X 20mm fuses . . . . .	281
Panel mounted fuse holders for 1/4" X 1 1/4" fuses . . . . .	282
Panel mounted fuse holders for 5 X 20mm and 1/4" X 1 1/4" fuses . . . . .	283-284
Panel mounted fuse holders for indicating type fuses . . . . .	285
Panel mounted fuse holders for 1 1/2" X 1 1/16" to 1 1/2" fuses . . . . .	286
Panel mounted fuse holders for 1 1/2" X 1 1/2" fuses . . . . .	287
Fuse blocks for 1/4" X 1 1/4" fuses . . . . .	288
Fuse blocks for 1/4" X 1" fuses . . . . .	289
Fuse blocks for 1 1/2" X 1 1/2" fuses . . . . .	290
Rail mount fuse holders . . . . .	291

Fuse Holders & Blocks

RED indicates NEW information



## Optima® Fuse Holder Module and Disconnect Switch

### OPM-1038 With Disconnect Switch



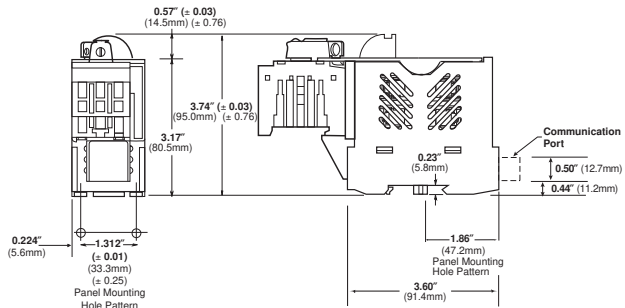
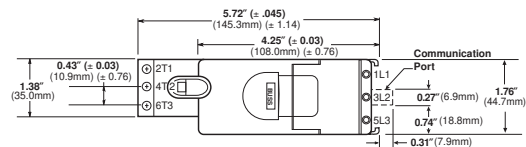
#### Features/Benefits

- Padlockable with finger-safe terminals for safety. Qualified as IP20 per IEC 60529.
- Cam-action handle for easy module removal, offered with Class CC rejection clips or European 10 x 38mm clips to meet global needs
- Wire ready with 35mm DIN rail or screw panel mounting (#8 screw, 1 1/4" long) saves installation time
- Fuse indication lights with option for remote fuse status available. See Data Sheet for additional wiring details.

#### Typical Applications

- Industrial Control
- Process Control Systems
- Automated Warehouse Systems
- Individual Control Circuits

#### Dimensions



#### Catalog Number Build-A-Code

Series	Fuse Type	Communication
O P M - 1 0 3 8	Blank = 10 x 38mm or 1/2" x 1-1/2"	C = Communication Feature
	R = Class CC	

#### Specifications

**Description:** 3-pole load break modular fuse holder and disconnect switch for 1/2 x 1 1/2" (10 x 38mm) fuses.

**Dimensions:** See Dimensions illustration.

**Poles:** 3

**Agency Information:** CE, UL (see table), CSA Certified, C22.2 No. 39, Class 6225-01, File 47235, IEC (see table).

**Flammability Rating:** UL 94V0.

#### Horsepower Rating of Switch

3-Phase	Volts	240	480	600
	HP	5	10	15

#### Recommended Fuse Types

Class CC	Midget (Non-Rejection)	European
LP-CC	KTK	C10M
KTK-R	FNM	C10G
FNQ-R	FNQ	

#### Physical Characteristics

- Small size matches 45mm IEC starter width
- Accepts #8-18 AWG stranded, #10-18 AWG solid wire
- 3-pole
- Handle and shaft required for through the door operation

#### Catalog Numbers

Catalog Numbers	Electrical Rating	SCCR** Rating	Clips	Remote Open Fuse Indication	UL Information Std.	File	Guide	IEC	CE
OPM-1038SW	30A, 600Vac UL/CSA 32A, 660Vac IEC	*	Non-rejection, 10x38mm or 1/2" x 1 1/2"	No	Recognized UL 508	E161278	NLRV2	IEC 60947-3	Yes
OPM-1038RSW	30A, 600Vac UL/CSA	100kA	Rejection, Class CC	No	Listed UL 508	E161278	NLRV		Yes
OPM-1038SWC	30A, 600Vac UL/CSA 32A, 660Vac IEC	*	Non-rejection, 10x38mm or 1/2" x 1 1/2"	Yes	Recognized UL 508	E161278	NLRV2	IEC 60947-3	No
OPM-1038RSWC	30A, 600Vac UL/CSA	100kA	Rejection, Class CC	Yes	Listed UL 508	E161278	NLRV		No

\*Rating varies depending on fuse used in module; 100kA maximum

\*\*Short-Circuit Current Rating

Data Sheet: 1103

## Optima® Fuse Holder Module

OPM-1038



### Features/Benefits

- Padlockable with finger-safe terminals for safety. Qualified as IP20 per IEC 529.
- Cam-action handle for easy module removal.
- Offered with Class CC rejection clips or European 10 x 38mm clips to meet global needs
- Wire ready with 35mm DIN rail or screw panel mounting (#8 screw, 1 1/4" long) saves installation time
- Fuse indication lights with option for remote fuse status indication. See Data Sheet for additional wiring details.

### Catalog Number Build-A-Code

Series	Fuse Type	Communication
O P M - 1 0 3 8	<input type="checkbox"/>	<input type="checkbox"/>
	Blank = 10 x 38mm or 1 3/32" x 1 1/2"	C = Communication Feature
	R = Class CC	

### Specifications

**Description:** 3-pole modular fuse holder for 1 3/32" x 1 1/2" (10 x 38mm) fuses.

**Dimensions:** See Dimensions illustration.

**Poles:** 3

**Agency Information:** CE, UL (see table), CSA Certified, C22.2 No. 4248, Class 6225-01, File 47235, IEC (see table).

**Flammability Rating:** UL 94V0.

### Recommended Fuse Types

Class CC	Midget (Non-Rejection)	European
LP-CC	KTK	C10M
KTK-R	FNM	C10G
FNQ-R	FNQ	

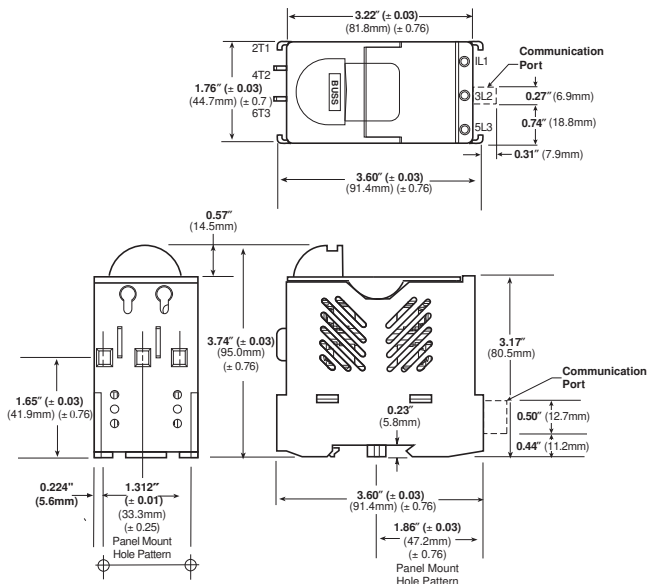
### Physical Characteristics

- Small size matches 45mm IEC starter width
- Accepts #8-18 AWG stranded, #10-18 AWG solid wire
- 3-pole

### Typical Applications

- Industrial Control
- Process Control Systems
- Automated Warehouse Systems
- Individual Control Circuits

### Dimensions



Fuse Holders & Blocks

### Catalog Numbers

Catalog Numbers	Electrical Rating	SCCR** Rating	Clips	Remote Open Fuse Indication	UL Information Std.	File	Guide	IEC	CE
OPM-1038	30A, 600Vac/dc UL/CSA (Max 3 Watts per fuse) 32A, 660V IEC	*	Non-rejection, 10 x 38mm or 1 3/32" x 1 1/2"	No	Recognized UL 4248	E14853	IZLT2	IEC 60269-2-1	Yes
OPM-1038R	30A, 600Vac/dc UL/CSA	200kA	Rejection, Class CC	No	Listed UL 4248	E14853	IZLT		Yes
OPM-1038C	30A, 600Vac/dc UL/CSA (Max 3 Watts per fuse) 32A, 660V IEC	*	Non-rejection, 10 x 38mm or 1 3/32" x 1 1/2"	Yes	Recognized UL 4248	E14853	IZLT2	IEC 60269-2-1	No
OPM-1038RC	30A, 600Vac/dc UL/CSA	200kA	Rejection, Class CC	Yes	Listed UL 4248	E14853	IZLT		No

\*Rating varies depending on fuse used in module; 200kA maximum.

\*\*Short-Circuit Current Rating

Data Sheet: 1102

## Optima® Three-pole Overcurrent Protection Module

### OPM-NG-



#### Specifications

##### Description:

**OPM-NG-SC3:** 3-pole Class CC fuse holder for use with Class CC fuses (Cooper Bussmann Types LP-CC, FNQ-R, KTK-R).

**OPM-NG-SM3:** 3-pole fuse holder for use with 1/2" x 1 1/2" and 10.3 x 38mm fuses (Cooper Bussmann Types: 1/2" x 1 1/2"; KTK, FNQ, KLM, 10 x 38mm; FWA, FWC, C10G\_ , C10M\_ ).

##### Ratings:

Volts: — OPM-NG-SC3: 600Vac (or less)  
 — OPM-NG-SM3: 600Vac (or less) UL and CSA 30A  
 — OPM-NG-SM3: 690Vac (or less) IEC 32A

Amps: — OPM-NG-SC3: 0-30A

— OPM-NG-SM3: 0-30A

SCCR: — OPM-NG-SC3: 200kA

— OPM-NG-SM3: Same as fuse IR, 200kA maximum

**Agency Information:** CE, UL; OPM-NG-SC3 UL Listed, UL 4248, File E14853, Guide IZLT. OPM-NG-SM3, UL Recognized, UL 4248, File E14853, Guide IZLT2. CSA Certified, C22.2 No. 4248, Class 6225-01, File 47235. IEC 60947-3 Utilization Category AC20B.

**Handling & Storage Temperature:** -10° to 65°C.

##### Features/Benefits

- 45mm width matches IEC starters
- 35mm DIN rail or panel mounting feature. Maximum screw size #8 (M4)
- Pressure plate terminations with dual-wire rated terminals (see Wire Table) and optional auxiliary contacts
- Integrated collapsible handle and fuse carrier cannot be removed from holder base
- Padlockable and IP20 finger-safe to IEC60529

##### Typical Applications

- Mass Produced Control Systems
- Process Control Systems
- Automated Warehouse Systems
- Individual Control Circuits

#### Fuse Holder Wire Range:

- 75°Cu Only
- #18-12 Single/Dual, torque 15lb-in
- #10-8 Single/Dual, torque 20lb-in
- Dual wire with same gauge and type

		75° Cu Only		C (N·m)/lb-in
		AWG	[mm <sup>2</sup> ]	
Solid		#18-8 x 1	1-6 x 1	18-12 Single/Dual 15lb-in (1.7 N·m)
		#18-8 x 2	1-6 x 2	
Stranded		#18-8 x 1	1-6 x 1	10-8 Single/Dual
		#18-8 x 2	1-6 x 2	
Ferrules			1-4 x 1	20lb-in (2.5 N·m)
			1-4 x 2	

#### Input Power Terminal Wire Range:

Wiring	Conductor	Wire Range
Solid	Conductor	(1) #14 to #2 (1.5 to 25mm <sup>2</sup> ) or conductor
	Stranded	(2) #14 to #6 (1.5 to 10mm <sup>2</sup> ) conductors
Stranded	Conductor	(1) #14 to #2 (1.5 to 25mm <sup>2</sup> ) conductor or
	Conductor	(2) #12 to #6 (2.5 to 10mm <sup>2</sup> ) conductors
Tightening Torque:	Connector	20lb-in (2.2 N·m)
	Screw Clamp	15lb-in (1.7 N·m)

#### Materials:

- **Housing:** Thermoplastic - ULV2
- **Clip:** Tin-plated copper alloy
- **Contact lubricant:** Fluoroether grease
- **Saddle screw:** Plated steel
- **DIN rail springs:** Stainless steel

#### Optional Accessories:

##### Comb Bar (Max current rating = 63A)

OPMNGSA245	2 circuit, 45mm between same phases
OPMNGSA254	2 circuit, 54mm between same phases
OPMNGSA272	2 circuit, 72mm between same phases
OPMNGSA345	3 circuit, 45mm between same phases
OPMNGSA354	3 circuit, 54mm between same phases
OPMNGSA445	4 circuit, 45mm between same phases
OPMNGSA454	4 circuit, 54mm between same phases
OPMNGSA472	4 circuit, 72mm between same phases
OPMNGSA554	5 circuit, 54mm between same phases

##### Input Terminal Block (Max current rating = 63A)

OPMNGSA005	Input/Feed Through Power Terminal, Supports feed through to another system, DIN rail mount only
OPMNGSA009	Input Power Terminal

##### Cover

OPMNGSA010	Protective Cover for unused terminals on comb bar
------------	---

##### Auxiliary Contacts

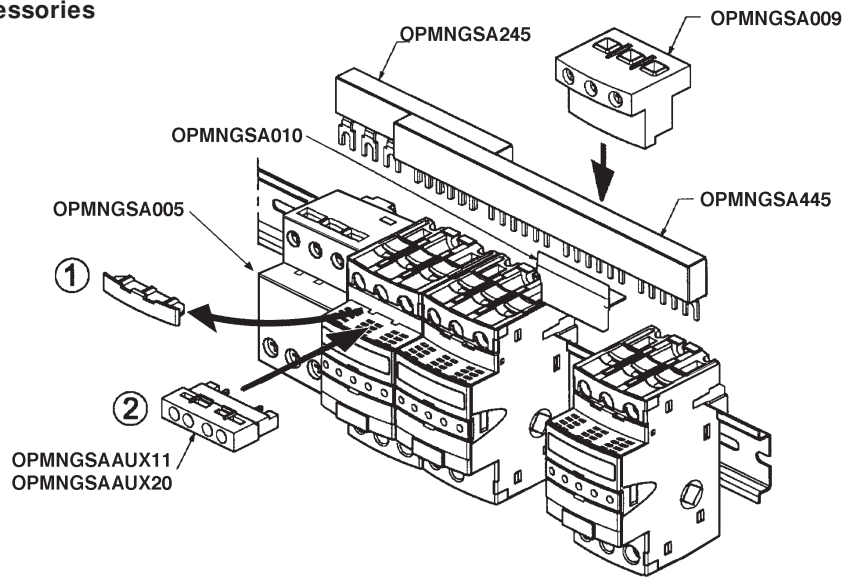
OPMNGSAAUX11	NO/NC
OPMNGSAAUX20	NO/NO

##### Marking Tabs

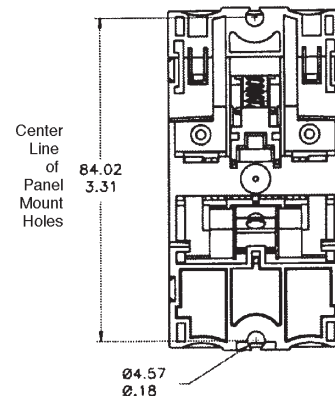
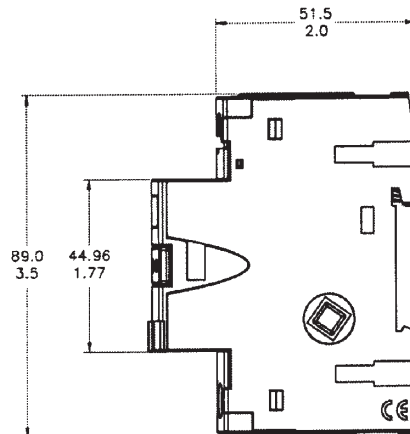
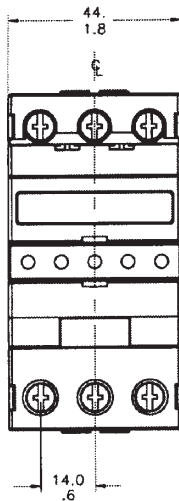
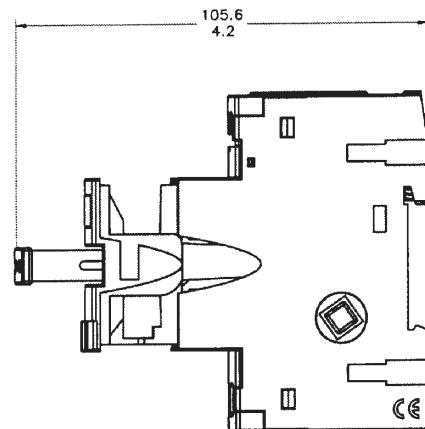
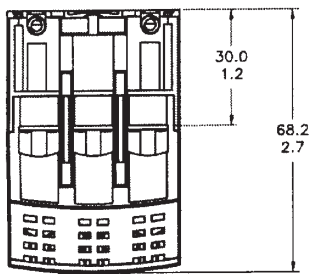
OPMNGSA101	Marking Tab - Mounts to front of carrier, quantity 100
------------	--

## Optima® Three-pole Overcurrent Protection Module

### Optional Accessories



### Dimensions Millimeters ( $\pm 0.38$ ), Inches ( $\pm .015$ )



Fuse Holders & Blocks

## Class J Modular Fuse Holders

CH \_\_ J \_

### Specifications

**Description:** IP20 finger-safe, 1- to 3-pole Class J fuse holder with DIN rail or panel mounting.

### Ratings:

Volts: — 600Vac/dc (or less)

Amps: — 30A (30A version)

— 60A (60A version)

Withstand Rating SCCR: — 200kA

**Wire Range:** Cu solid and stranded conductors with single (1-18AWG) and dual (3-18AWG) wire ratings. See Catalog Numbers table for details.

**Torque Rating:** 10-18AWG 24 lb-in.  
1-8AWG 35 lb-in.

**Poles:** 1-, 2- or 3-Pole.

**Storage & Operating Temperature Range\*:**  
-20°C to 75°C.

**Agency Information:** CE, UL 4248/CSA 22.2 No. 4248.

**Flammability Rating:** UL 94V0.

### Catalog Numbers

See Catalog Numbers table below.

### Features and Benefits

- Choice of local fuse indication; *easyID*™ viewing window (for seeing indicator on LPJ-SPI indicating fuse) or neon lamp.
- Versatile 1-, 2- and 3-pole versions for 0-30A and 35-60A fuses with dual wire rated connections simplify wiring.
- Improved electrical safety with IP20 finger-safe construction with lock-out/tag-out feature. 3-phase fuse extraction assures all phases are opened for service work.
- Flexible panel/35mm DIN rail mounting options

\*For fuse selection on applications above or below 25°C, consult derating charts in Cooper Bussmann publication "Selecting Protective Devices" (SPD).



30 Amp Version

60 Amp Version

### Dimensions (mm):

Fuse Size	Poles	W	D	H
0-30A	1	32	70	115
	2	64	70	115
	3	96	70	115
35-60A	1	40	83	125
	2	80	83	125
	3	120	83	125

### Catalog Numbers

Catalog Numbers	Amp Rating	Volts (AC/DC)	# of Poles	IP20 Finger-Safe	Mounting	Padlockable	Local Indication	AWG Single Wire Range
CH30J1	30	600	1	Yes	35mm DIN/ Panel	Yes	<i>easyID</i> **	1-18
CH30J1I	30	600	1	Yes	35mm DIN/ Panel	Yes	Neon Lamp***	1-18
CH30J2	30	600	2	Yes	35mm DIN/ Panel	Yes	<i>easyID</i> **	1-18
CH30J2I	30	600	2	Yes	35mm DIN/ Panel	Yes	Neon Lamp***	1-18
CH30J3	30	600	3	Yes	35mm DIN/ Panel	Yes	<i>easyID</i> **	1-18
CH30J3I	30	600	3	Yes	35mm DIN/ Panel	Yes	Neon Lamp**	1-18
CH60J1	60	600	1	Yes	35mm DIN/ Panel	Yes	<i>easyID</i> **	1-18
CH60J1I	60	600	1	Yes	35mm DIN/ Panel	Yes	Neon Lamp***	1-18
CH60J2	60	600	2	Yes	35mm DIN/ Panel	Yes	<i>easyID</i> **	1-18
CH60J2I	60	600	2	Yes	35mm DIN/ Panel	Yes	Neon Lamp***	1-18
CH60J3	60	600	3	Yes	35mm DIN/ Panel	Yes	<i>easyID</i> **	1-18
CH60J3I	60	600	3	Yes	35mm DIN/ Panel	Yes	Neon Lamp***	1-18

\*\* *easyID*™ viewing window, requires use of Cooper Bussmann LPJ\_SPI permanent indication fuses.

\*\*\* Indication non-fuse dependent, minimum voltage 90Vac/115Vdc.

Data Sheet: 2144

## Class J (Finger-safe) Fuse Holders

### Safety J™ — JT(N)60030 & JT(N)60060

#### Specifications

**Description:** Indicating and non-indicating finger-safe, DIN rail mount fuse holders for use with Class J fuses - (Cooper Bussmann® LPJ, JKS).

**Dimensions:** See Dimensions illustrations.

#### Ratings:

Volts: — 600Vac

Amps: — 0-60A (JT(N)60060)

— 0-30A (JT(N)60030)

SCCR: — 200,000A RMS Sym.

— 300,000A self certified using Cooper Bussmann LPJ\_SP fuses

**Agency Information:** CE, Listed to UL 4248: Guide IZLT, File 14853, CSA Certified: Class 6225-01, File 47235. IP20 per IEC 60529.

**Flammability Rating:** UL 94V0.

**Indication:** Min voltage: 90Vac, 115Vdc; neon lamp “ON” when fuse opens, voltage source and current path are present.

**Terminations:** 30A dual port torque 20lb-in, 60A single port torque 45lb-in, terminal construction, tin-plated copper alloy.

**Wire Size:** JT(N)60030 - rated for 75°C, AWG#18-#8; Cu only, JT(N)60060 - rated for 75°C, AWG#14-#4; Cu only.

(Note: For JT(N)60030 use both stranded or solid, in a variety of dual wire combinations of same wire size and type.)

#### Features and Benefits

- Short-Circuit Current Rating of 300,000A with Cooper Bussmann LPJ\_\_\_SP fuses.
- Rapid, flexible 35 mm DIN rail mounting.
- One piece interlocking design for assembling multiple pole blocks reduces inventory costs.
- Removable fuse carrier allows fuse replacement away from base while maintaining finger-safe rating.

#### Typical Applications

- Industrial Controls
- Process Controls
- Small HP VFDs

#### Catalog Numbers

Catalog Numbers	Amps	Indication
JT60030	30	Non-indicating
JT60060	60	Non-indicating
JTN60030	30	Indicating (Neon)
JTN60060	60	Indicating (Neon)



30 Amp Version

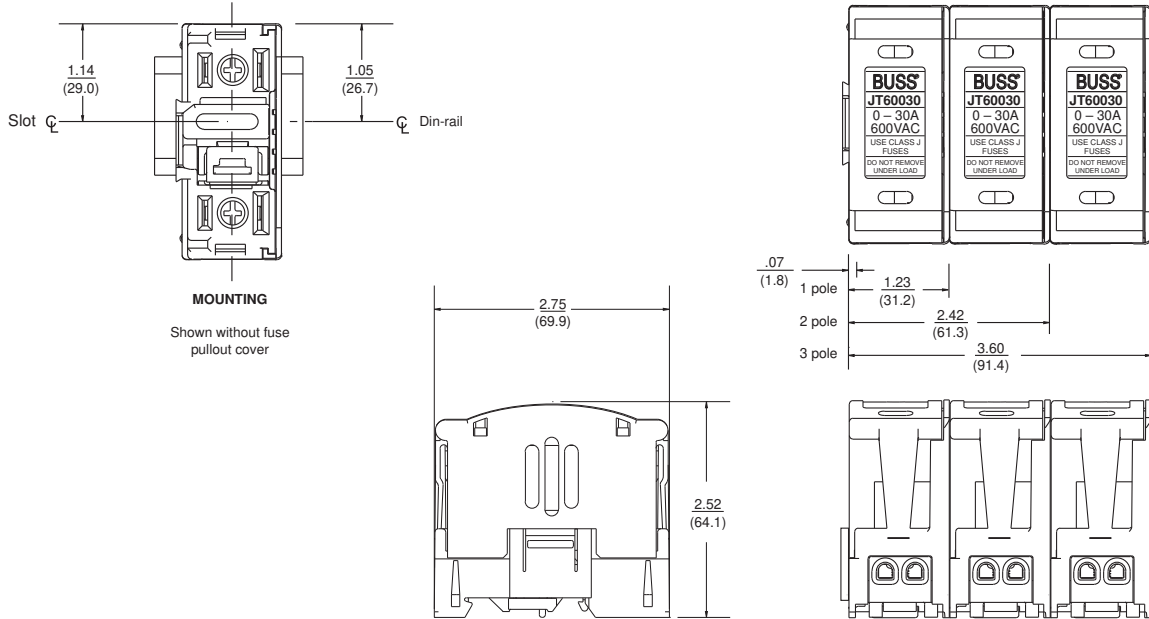


60 Amp Version

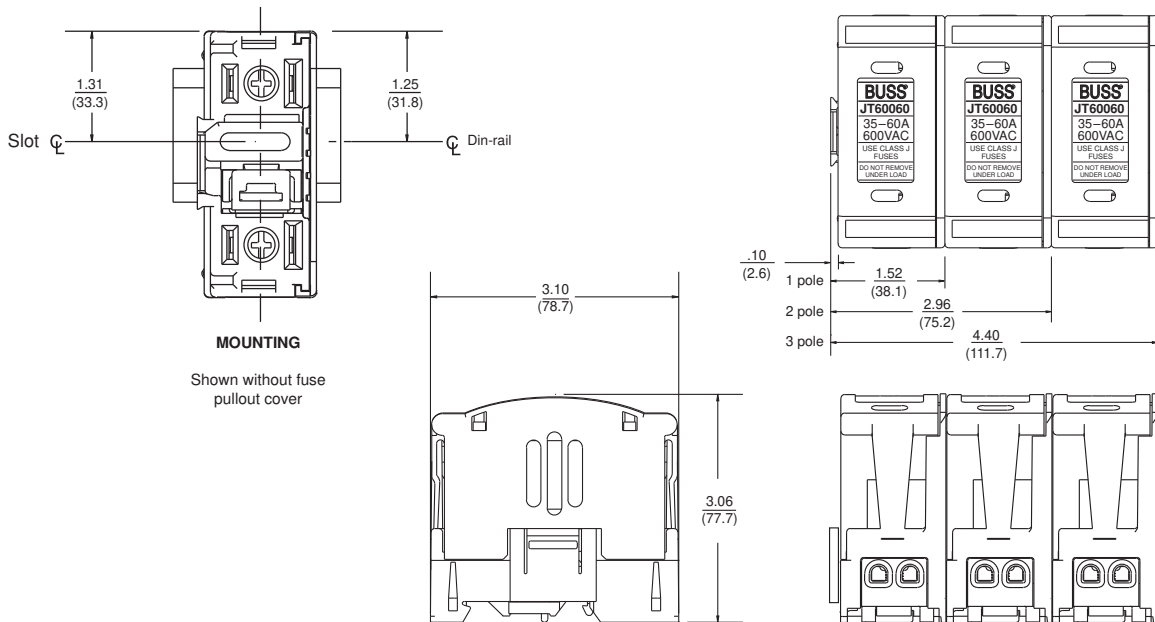


## Class J (Finger-safe) Fuse Holders

### Dimensions for JT60030 & JTN60030 — in (mm)



### Dimensions for JT60060 & JTN60060 — in (mm)



JT(N)600 Series fuse blocks can be dovetailed together within the same current rating to provide multiple pole block configurations.

NOTE: JT(N)60030 cannot be dovetailed to JT(N)60060.

## Global Modular Fuse Holders

### CH Series - 8x32, 10x38, 14x51, 22x58, Class CC

#### Specifications

**Description:** The 'CH' line of modular fuse holders accommodates many fuses from around the world, including North American Class-CC, Midget, Class gR, aR HSF, and IEC Industrial Ferrule (Class gG and aM) in four physical sizes: 8x32, 10x38, 14x51 and 22x58mm.

**Agency Information:** Manufactured in accordance with IEC 60269 and IEC 60947-3. Agency Compliance as indicated in the Catalog Numbers table.

#### Features/Benefits

- Optional open fuse indication (minimum 90Vac, 115Vdc for indicator lights)
- 14x51 & 22x58mm configurations available with optional micro-switches for remote open fuse indication, pre-breaking, and fuse presence
- Multi-phase connections available for ganging poles
- Low voltage indicating device available for CC and midget (48V)



### Modular Fuse Holder Selection Table (10 x 38 and CC)

#### Part Numbers

Series Size	Catalog Numbers		Max Voltage & Current	UL	IEC	Phase Configuration	No. of 17.5mm Modules*	Box Qty.	Terminal Rating	SCCR Rating	Cooper Bussmann Fuses
	W/O Indication	W/Indication									
CHCC Class CC	CHCC1D	CHCC1DI**	UL	††		1-pole	1	12	75° Cu Wire Only	200kA	LP-CC, FNQ-R, KTK-R
	CHCC2D	CHCC2DI**	600Vac/dc	††		2-pole	2	6			
	CHCC3D	CHCC3DI**	30A	††		3-pole	3	4			
	---	CHCC1DI-48***	UL 48Vdc, 30A	††		1-pole	1	12			
CHPV	CHPV1	CHPV1I**	1000Vdc 30A	†††	•	1-pole	1	12	75° Cu Wire Only	33kA	PV Series
CHM 10X38 & Midget	CHM1D	CHM1DI**	UL	†	•	1-pole	1	12	75° Cu Wire Only	Rating varies depending on fuse used in holder.	FNQ, KLM, FNM, KTK, BAF, FWA, DCM, C10 Series, AGU, FWC
	CHM1DNX	-	600Vac/dc, 30A		•	1 Neutral Pole	1	12			
	CHM1DN	CHM1DNI**			•	1-pole + Neutral	2	6			
	CHM2D	CHM2DI**		†	•	2-pole	2	6			
	CHM3D	CHM3DI**	IEC 690Vac, 32A (3 Watt)	†	•	3-pole	3	4			
	CHM3DN	CHM3DNI**			•	3-pole + Neutral	4	3			
	CHM4D	CHM4DI**			•	4-pole	4	3			
---	CHM1DI-48***	UL 48Vdc, 30A IEC 48Vdc, 32A (3 Watt)	†	•	1-pole	1	12				

† UL Recognized (cURus)

†† UL Listed (cULus)

††† Self Certified

\*Holder width as compared to standard 17.5mm module, i.e., 1 = 17.5mm 2 = 35mm.

\*\*90V minimum required for illumination

\*\*\*12V minimum required for illumination

### MFH Wire Range and Torque - CH Series: CHCC, CHM & CHPV

Wire Range	Conductor Type 75°C Cu Wire Only	Conductors	Torque
18-12 AWG (0.8 - 4mm <sup>2</sup> )	Solid/Stranded	Single	20 lb-in 2.3 N•m
10 AWG (5.0mm <sup>2</sup> )	Solid	Single	25 lb-in (2.8 N•m)
10-8 AWG (5.0 - 8.0mm <sup>2</sup> )	Stranded		
18-14 AWG (0.8 - 2.0mm <sup>2</sup> )	Solid	Dual	
18-10 AWG (0.8 - 5.0mm <sup>2</sup> )	Stranded		

## Global Modular Fuse Holders

### Modular Fuseholder Selection Table (8x32, 14x51, and 22x58)

#### Part Numbers

Series/ Size	Catalog Numbers		Max Voltage & Current	IEC	UL	Phase Configuration	No. of 17.5mm Modules*	Box Qty.	Wire Range	Maximum Torque			
	W/O Indication	W/Indication											
CH08 8X32	CH081D	CH081DI	400Vac 25A	•		1-pole	1	12	1-16mm <sup>2</sup> (18-6 AWG)	2.5 N•m (22in-lb)			
	CH081DNX	-				1 Neutral Pole	1	12					
	CH081DNS	CH081DNSI				1-pole + Neutral	1	12					
	CH081DN	CH081DNI				400Vac 25A	•		1-pole + Neutral	2	6	1-16mm <sup>2</sup> (18-6 AWG)	2.5 N•m (22in-lb)
	CH082D	CH082DI							2-pole	2	6		
	CH083D	CH083DI							3-pole	3	4		
	CH083DNS	CH083DNSI							3-pole + Neutral	3	4		
	CH083DN	CH083DNI							3-pole + Neutral	4	3		
	CH084D	CH084DI							4-pole	4	3		
CH14 14X51	CH141D	CH141DICH1	UL/cURus 600Vac/dc, 40A (5 Watt) IEC 690Vac, 50A	•	†	1-pole	1.5	6	2.5-16mm <sup>2</sup> (14-6 AWG)	3.0 N•m (26in-lb)			
	CH141DMS	-14X51				1-pole + Microswitch	1.5	6					
	CH141DNX	-				1 Neutral Pole	1.5	6					
	CH141DN	CH141DNI				1-pole + Neutral	3	3					
	CH142D	CH142DI				2-pole	3	3					
	CH143D	CH143DI				3-pole	4.5	2					
	CH143DMS	-				3-pole + Microswitch	4.5	2					
	CH143DN	CH143DNI				3-pole + Neutral	6	1					
	CH143DNMS	-				3-pole + Neutral + Microswitch	6	1					
CH144D	CH144DI	4-pole	6	1									
CH22 22X58	CH221B	Not Available with local neon indication (remote microswitch only)	UL/cURus 600Vac/dc, 100A (9.5 Watt) IEC 690Vac, 125A	•	†	1-pole	2	6	2.5-50mm <sup>2</sup> (14-1 AWG)	4.0 N•m (35in-lb)			
	CH221BMS					1-pole + Microswitch	2	6					
	CH221BNX					1 Neutral Pole	2	6					
	CH221BN					1-pole + Neutral	4	3					
	CH222B					2-pole	4	3					
	CH223B					3-pole	6	2					
	CH223BMS					3-pole + Microswitch	6	2					
	CH223BN					3-pole + Neutral	8	1					
	CH223BNMS					3-pole + Neutral + Microswitch	8	1					
CH224B	4-pole	8	1										

† UL Recognized (cURus)

†† UL Listed (cULus)

\*Holder width as compared to standard, i.e., 1 = 17.5mm module 2 = 35mm.

\*\*90V minimum required for illumination

#### Accessories for CH Series

Catalog Numbers	Accessory	For Use with Fuse Holders	No. of Poles	Carton Qty.
AL-D	Multi-Phase Connection Links	CH08 and CH14 Series	-	12
JV-L	Multi-Phase Connection Kit***	CHM and CHCC Series	-	-
CH810-HP CH14-HP	Multi-Phase Handle Pins	CH08 Series CH14 Series	-	10
C08NL C14NL C22NL	Neutral Links	CH08 Series CH14 Series CH22 Series	-	10
CH14MS-1D CH14MS-3D		CH141 Series CH143 Series	1 3	5 2
CH-PLC****		PLC Module	CHM and CHCC Series	1
CH22LS	22x58 Lock Support	CH22 Series	-	5
CH22IP20	22x58 IP20 Protection Accessory	CH22 Series	-	12

\*\*\*Kit contains 3-Spring pins and 6-connection links

\*\*\*\*OL Listed (cULus)

Multi-Phase Connection Links



Multi-Phase Handle Pins



Neutral Links



Operated-Fuse Micro-Switches



Programmable Logic Controller (PLC)



## SAMI™ Fuse Covers

### SAMI™ Series



#### Specifications

**Description:** Indicating and non-indicating fuse covers for Class J, RK1, RK5, H, K5, CC, G (0-30A) and midget-type fuses. Indicating feature requires a minimum of 90Vac or 115Vdc to illuminate lamp. One cover required for each pole.

**WARNING:** To avoid electrical shock, turn power off before installing, removing or servicing.

**Dimensions:** See Dimensions illustration.

#### Ratings:

Volts: — Non-Indicating - 0-600Vac/dc  
 — Indicating - 90 to 600Vac  
 -115 to 600Vdc

Amps: — 0-100A

**Agency Information:** CE, UL Listed; SAMI-11 through SAMI-61, SAMI-81 and SAMI-91, SAMI-1N through SAMI-6N, SAMI-8N and SAMI-9N, UL Recognized; SAMI-71 and SAMI-7N, CSA Certified, File LR47235-93C.

#### Catalog Numbers

Catalog Numbers*	Description	Dimensions (Inches)		
		A	B	C
SAMI-1_	600V, J (0-30A) and 600V, T (35-60A)**	5.02	1.03	1.94
SAMI-2_	600V, RK, K5, H (0-30A)	7.03	1.30	2.07
SAMI-3_	600V, J (65-100A)	7.03	1.30	2.33
SAMI-4_	250V, RK, K5, H (65-100A)	8.20	1.30	2.18
SAMI-5_	600V, RK, K5, H (35-60A)	8.20	1.30	2.18
SAMI-6_	600V, J (35-60A)	4.98	1.17	2.14
SAMI-7_	600V, Midget, Class CC, G (0-30A)	3.82	0.75	1.72
SAMI-8†_	600V, RK††, K5, H (65-100A)	10.38	1.50	2.33
SAMI-9_	250V, RK, K5, H (0-30A) and 600V, T (0-30A)	3.82	0.75	1.72

\*For indicating cover, add suffix "I", for non-indicating cover, add suffix "N".

Example: SAMI-7I = Indicating, SAMI-7N = Non-indicating.

\*\*Available in non-indicating only.

†SAMI-8A adapter available for small Fusetron® body design. SAMI-8I and SAMI-8N come standard with adapter (SAMI-8A).

††Not for use with KTS-R fuses.

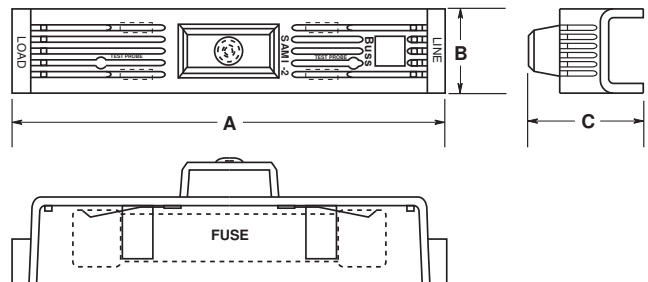
#### Features and Benefits

- Insulated cover allows field conversion of fuses mounted in open fuse blocks to dead front configuration.
- Optional open fuse indicating light aids in system troubleshooting.
- Units are re-usable.
- Allows visual marking of line and load side of fuses.

#### Typical Applications

- Class H, R and J fuse blocks up to 100A
- Class T fuse blocks up to 60A
- Class CC, G and Midget, 30A fuse blocks

#### Dimensions



Fuse Holders & Blocks



## Class H(K) and R Fuse Blocks – 250V

### H250 & R250 Series

#### Specifications

#### Descriptions:

**H250 Series:** 1-, 2- and 3-pole fuse blocks for use with Class H fuses.

**R250 Series:** 1-, 2- and 3-pole fuse blocks for use with Class R fuses (Cooper Bussmann LPN-RK and FRN-R, DLN-R and KTN-R fuses).



**Dimensions:** See Dimensions illustrations.

#### Ratings:

Volts: — 250Vac/dc (H250 & R250 Series)

Amps: — 1/10-600A

SCCR: — H250 Series; 10kA RMS Sym.

— R250 Series; 200kA RMS Sym.

**Agency Information:** CE, UL Listed UL 4248, Guide IZLT, File E14853; CSA Certified, Class 6225-01, File 47235.

**Flammability Rating:** UL 94V0.

#### Features and Benefits

- H250 fuse blocks provide one, two and three pole housing for Class H, K and R fuses at 250Vac.
- H250 fuse blocks are listed with a Short-Circuit Current Rating of 10kA RMS Sym.
- R250 fuse blocks provide one, two and three pole housing for Class R fuses at 250Vac.
- R250 fuse blocks are listed with a Short-Circuit Current Rating of 200kA RMS Sym.

#### Typical Applications

- 250Vac/dc or less Control Systems
- 250Vac/dc or less Industrial Control
- 250Vac/dc or less Industrial Control Circuits

#### Recommended DIN rail adapters for the 1/10-30A series

- see page 413.

### Class H Fuseblocks (250V) Catalog Data (for NON and REN Fuses)

Amps	Poles	Terminal Type (Suffix No.)										Figure Number	Wire Range
		Screw					Box Lug w/						
		Catalog Number	—	Clip with Reinforced Spring	Pressure Plate	Pressure Plate & Clip with Reinforced Spring	—	Clip with Reinforced Spring	Copper Only	0.25" Quick Connect	—		
1/10 to 30	1	H25030-1	S	SR	P	PR	C	CR	—	Q	1	C, CR #2-14 Cu, #2-12 Al P, PR #10-18 Cu Only Q N/A S, SR #10-18 Cu Only	
	2	H25030-2	S	SR	P	PR	C	CR	—	—	2		
	3	H25030-3	S	SR	P	PR	C	CR	—	—	3		
31 to 60	1	H25060-1	—	—	—	—	C	CR	CO	—	4	C, CR #2-14 Cu, #2-8 Al CO #2-14 Cu Only	
	2	H25060-2	—	—	—	—	C	CR	CO	—	5		
	3	H25060-3	—	—	—	—	C	CR	CO	—	6		
61 to 100	1	H25100-1	—	SR	—	—	—	CR	—	—	7	CR #1/0-8 Cu/Al SR #8W/ Ring Terminal	
	2	H25100-2	—	SR	—	—	—	CR	—	—	8		
	3	H25100-3	—	SR	—	—	—	CR	—	—	9		
101 to 200	1	H25200-1	—	—	—	—	—	CR	—	—	10	CR 250kcmil-6 Cu/Al	
	3	H25200-3	—	—	—	—	—	CR	—	—	11		
201 to 400	1	H25400-1	—	—	—	—	—	CR*	—	—	12	CR 500kcmil-4 Cu/Al	
	3	H25400-3	—	—	—	—	—	CR†	—	—	13		
401 to 600	1	H25600-1	—	—	—	—	—	CR	—	—	14	CR (2) 500kcmil-4/0 Cu/Al	
	3	H25600-3	—	—	—	—	—	CR†	—	—	15		

\*UL Recognized, No CSA Certification.

†No UL, No CSA Certification.

## Class H(K) and R Fuse Blocks – 250V

### Class R Fuseblocks (250V) Catalog Data (for LPN-RK, FRN-R, DLN-R and KTN-R Fuses)

Amps	Poles	Catalog Number	Terminal Type (Suffix No.)					Fig. No.	Wire Range
			Screw w/		Box Lug w/		0.25" Quick-Connect		
			—	Pres. Plate	—	Clip Cu Only			
1/10 to 30	1	R25030-1	SR	PR	CR	COR	QR*	1	COR #6-14 Cu Only
	2	R25030-2	SR	PR	CR	COR	—	2	CR #2-14 Cu, #2-12 Al
	3	R25030-3	SR	PR	CR	COR	—	3	PR #10-18 Cu Only QR N/A SR #10-18 Cu Only
31 to 60	1	R25060-1	—	—	CR	—	—	4	CR #2-14 Cu, #2-8 Al
	2	R25060-2	—	—	CR	—	—	5	
	3	R25060-3	—	—	CR	—	—	6	
61 to 100	1	R25100-1	—	—	CR	—	—	7	CR 1/0-8 Cu/Al
	2	R25100-2	—	—	CR	—	—	8	
	3	R25100-3	—	—	CR	—	—	9	
101 to 200	1	R25200-1	—	—	CR	—	—	10	CR 250kcmil-6 Cu/Al
	3	R25200-3	—	—	CR	—	—	11	
201 to 400	1	R25400-1	—	—	CR‡	—	—	12	CR 500kcmil-4/0 Cu/Al
	3	R25400-3	—	—	CR†	—	—	13	
401 to 600	1	R25600-1	—	—	CR	—	—	14	CR 500kcmil-4/0 Cu/Al
	3	R25600-3	—	—	CR†	—	—	15	

\*UL Recognized, No CSA Certification.

†No UL, No CSA Certification.

‡UL Recognized, CSA Certification

### Dimensions – in 250V 1/10 to 30A

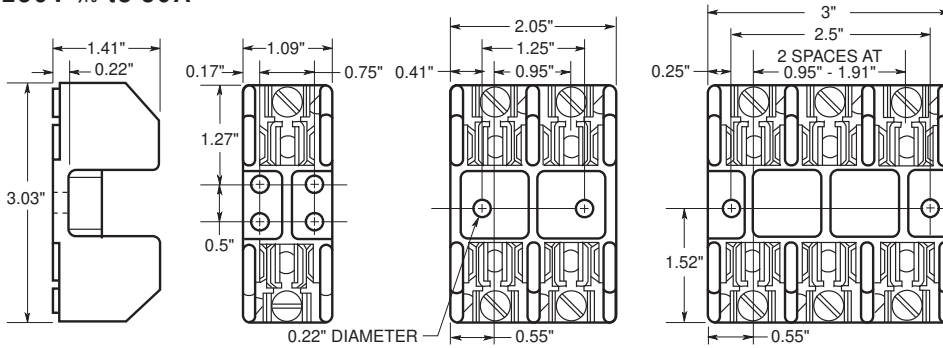


FIGURE 1.

FIGURE 2.

FIGURE 3.

### 250V, 31A to 60A

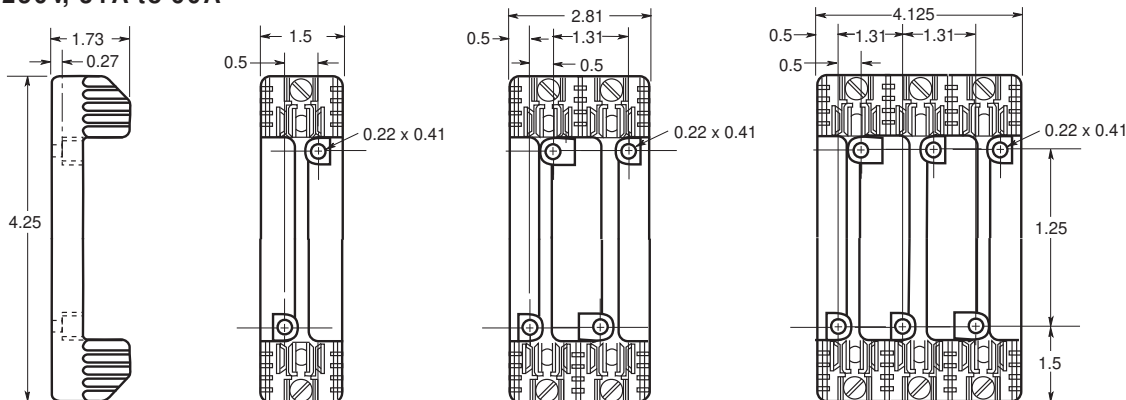


FIGURE 4.

FIGURE 5.

FIGURE 6.

Data Sheet: H250 Series, 1112; R250 Series, 1110

For product data sheets, visit [www.cooperbussmann.com/datasheets/ulcsa](http://www.cooperbussmann.com/datasheets/ulcsa)

## Class H(K) and R Fuse Blocks – 250V

### 250V, 61A to 100A

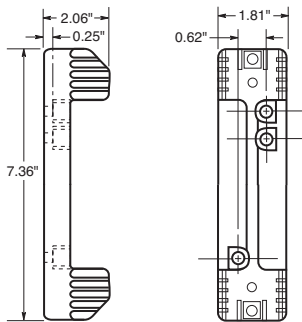


FIGURE 7.

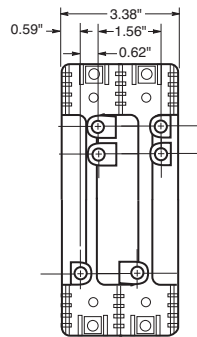


FIGURE 8.

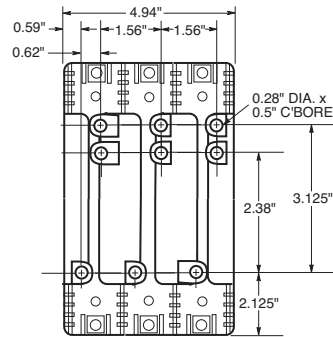


FIGURE 9.

### 250V, 101A to 200A

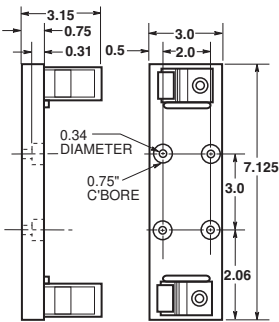


FIGURE 10.

### 250V, 101A to 200A

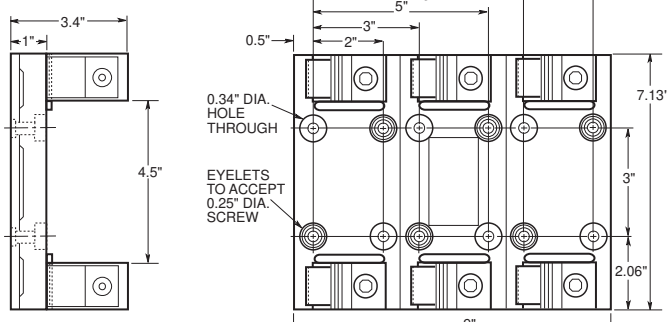


FIGURE 11.

### 250V, 201A to 400A

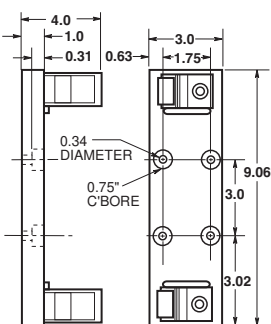


FIGURE 12.

### 250V, 201A to 400A

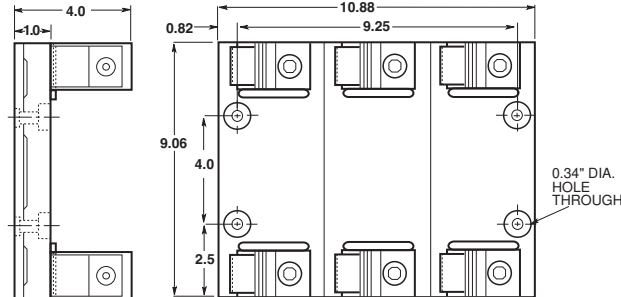


FIGURE 13.

### 250V, 401A to 600A

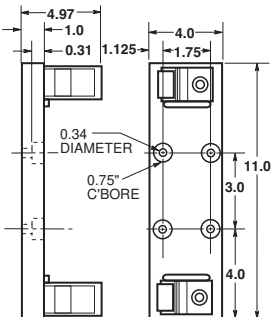


FIGURE 14.

### 250V, 401A to 600A

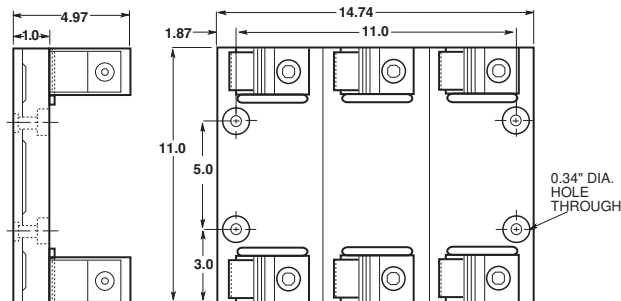


FIGURE 15.

## Class H(K) and R Fuse Blocks – 600V

### H600 & R600 Series

#### Specifications

##### Descriptions:

**H600 Series:** fuse blocks for use with 1-, 2- and 3-pole Class H fuses.

**R600 Series:** fuse blocks for use with 1-, 2- and 3-pole Class R fuses (Cooper Bussmann LPS-RK, FRS-R, DLS-R and KTS-R fuses).

**Dimensions:** See Dimensions illustrations.

##### Ratings:

Volts: — 600Vac/dc (H600 & R600 Series)

Amps: — 1/10-600A

SCCR: — H600 Series; 10kA RMS Sym.

— R600 Series; 200kA RMS Sym.

**Agency Information:** CE, UL Listed UL 4248, Guide IZLT, File E14853; CSA Certified, Class 6225-01, File 47235.

**Flammability Rating:** UL 94V0.



H60030-3C



H60030-2PR

#### Features and Benefits

- H600 fuse blocks provide one-, two- and three-pole housing for Class H, K and R fuses at 600Vac.
- H600 fuse blocks are listed with a Short-Circuit Current Rating of 10kA RMS Sym.
- R600 fuse blocks provide one, two and three pole housing for Class R fuses at 600Vac.
- R600 fuse blocks are listed with a Short-Circuit Current Rating of 200kA RMS Sym.

#### Typical Applications

- 600Vac/dc or less Control Systems
- 600Vac/dc or less Industrial Control
- 600Vac/dc or less Individual Control Circuits

### Class H Fuseblocks (600V) Catalog Data (for NOS and RES Fuses)

Amps	Poles	Catalog Number	Terminal Type (Suffix No.)						Figure Number	Wire Range
			Screw				Box Lug w/			
			—	Clip with Reinforced Spring	Pressure Plate	Pressure Plate & Clip with Reinforced Spring	—	Clip with Reinforced Spring		
1/10 to 30	1	H60030-1	S	SR	P	PR	C	CR	1	C, CR #2-14 Cu, #2-12 Al P, PR, S, SR #10-18 Cu Only
	2	H60030-2	S	SR	P	PR	C	CR	2	
	3	H60030-3	S	SR	P	PR	C	CR	3	
31 to 60	1	H60060-1	—	—	—	—	C	CR	4	C, CR #2-14 Cu, #2-8 Al
	2	H60060-2	—	—	—	—	C	CR	5	
	3	H60060-3	—	—	—	—	C	CR	6	
61 to 100	1	H60100-1	—	—	—	—	—	CR	7	CR #1/0-8 Cu/Al
	2	H60100-2	—	—	—	—	—	CR	8	
	3	H60100-3	—	—	—	—	—	CR	9	
101 to 200	1	H60200-1	—	—	—	—	—	CR	10	CR 250kcmil-6 Cu/Al
	3	H60200-3	—	—	—	—	—	CR	11	
201 to 400	1	H60400-1	—	—	—	—	—	CR†	12	CR 500kcmil-4 Cu/Al
	3	H60400-3	—	—	—	—	—	CR†	13	
401 to 600	1	H60600-1	—	—	—	—	—	CR	14	CR (2) 500kcmil-4/0 Cu/Al
	3	H60600-3	—	—	—	—	—	CR†	15	

†No UL, No CSA Certification.

‡UL Recognized, CSA Certification



## Class H(K) and R Fuse Blocks – 600V

### Class R Fuseblocks (600V) Catalog Data (for LPS-RK, FRS-R, DLS-R and KTS-R Fuses)

Amps	Poles	Catalog Number	Terminal Type (Suffix No.)				Fig. No.	Wire Range
			Screw w/		Box Lug w/			
			—	Pres. Plate	—	Clip Cu Only		
1/8 to 30	1	R60030-1	SR	PR	CR	—	1	COR #6-14 Cu Only
	2	R60030-2	SR	PR	CR	COR	2	CR #2-14 Cu, #2-12 Al
	3	R60030-3	SR	PR	CR	COR	3	PR, SR #10-18 Cu Only
31 to 60	1	R60060-1	—	—	CR	—	4	CR #2-14 Cu, #2-8 Al
	2	R60060-2	—	—	CR	—	5	
	3	R60060-3	—	—	CR	—	6	
61 to 100	1	R60100-1	—	—	CR	—	7	CR, 1/0-8 Cu/Al
	2	R60100-2	—	—	CR	—	8	
	3	R60100-3	—	—	CR	—	9	
101 to 200	1	R60200-1	—	—	CR	—	10	CR 250kcmil-6 Cu/Al
	3	R60200-3	—	—	CR	—	11	
201 to 400	1	R60400-1	—	—	CR‡	—	12	CR 500kcmil-4 Cu/Al
	3	R60400-3	—	—	CR†	—	13	
401 to 600	1	R60600-1	—	—	CR	—	14	CR (2) 500kcmil-4/0 Cu/Al
	3	R60600-3	—	—	CR†	—	15	

†No UL, No CSA Certification.

‡UL Recognized, CSA Certification

### Dimensionals – in

#### 600V, 1/8 to 30A

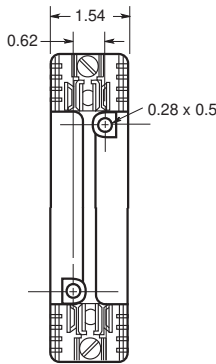
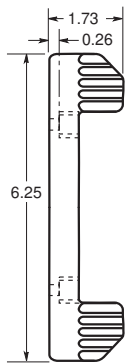


FIGURE 1.

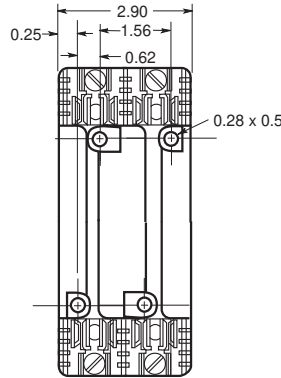


FIGURE 2.

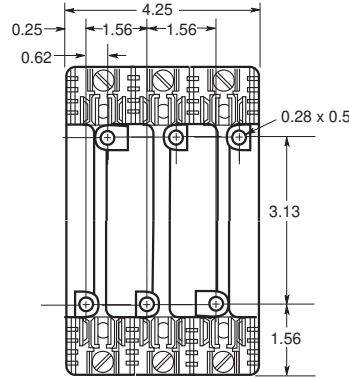


FIGURE 3.

#### 600V, 31 to 60A

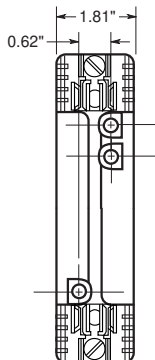
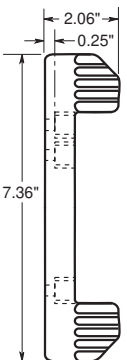


FIGURE 4.

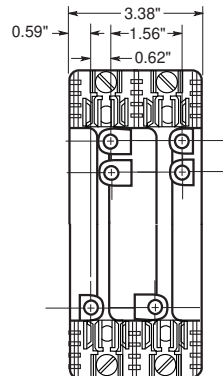


FIGURE 5.

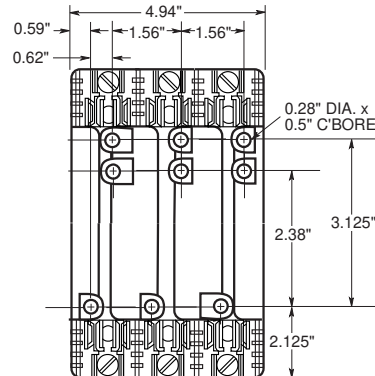


FIGURE 6.

## Class H(K) and R Fuse Blocks – 600V

### 600V, 61 to 100A

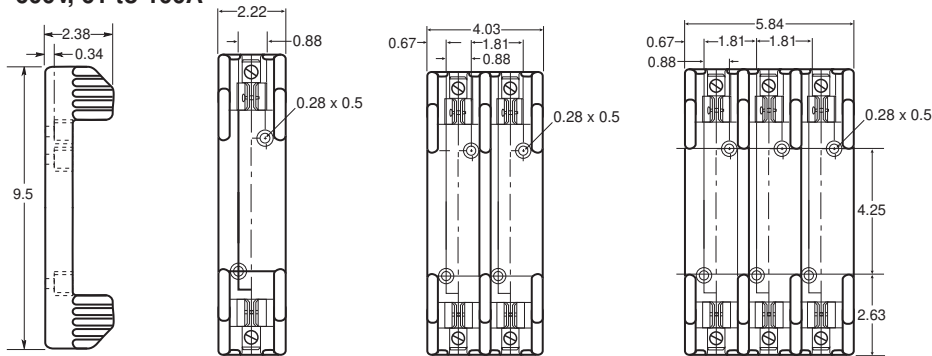


FIGURE 7.

FIGURE 8.

FIGURE 9.

### 600V, 101 to 200A

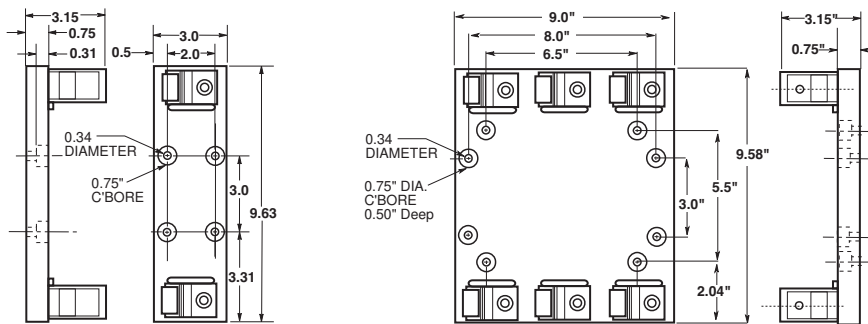


FIGURE 10.

FIGURE 11.

### 600V, 201 to 400A

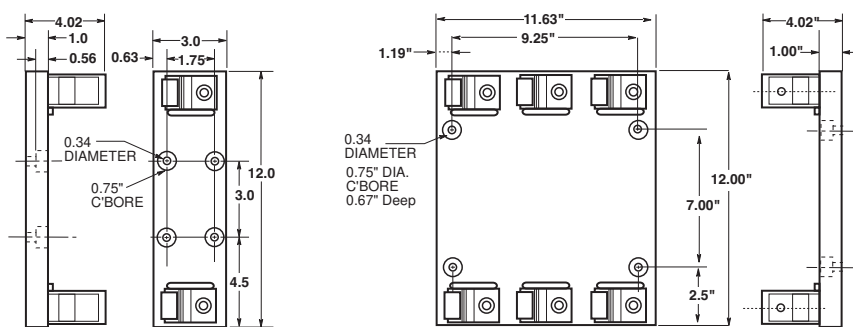


FIGURE 12.

FIGURE 13.

### 600V, 401 to 600A

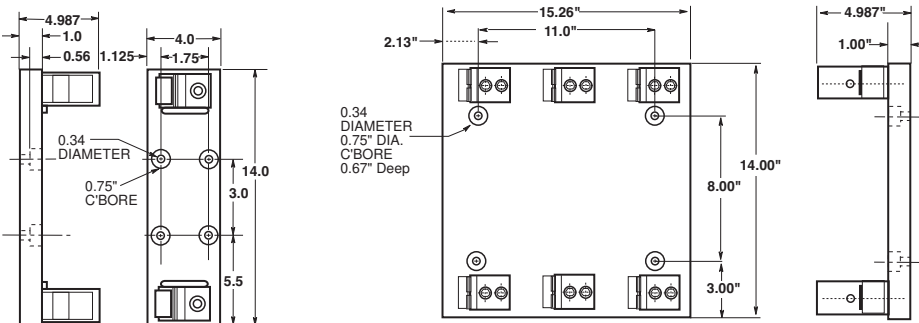


FIGURE 14.

FIGURE 15.

Data Sheet: H600 Series, 1113; R600 Series, 1111

## Class J Fuse Blocks

### J600 Series

#### Specifications

**Description:** 1-, 2- or 3-pole fuse blocks for use with Class J fuses (Cooper Bussmann® LPJ, DFJ and JKS).

**Dimensions:** See Dimensions illustrations.

**Construction:** Thermoplastic.

**Poles:** 1 to 3

#### Ratings:

Volts: — 600Vac/dc

Amps: — ½-600A

SCCR: — 200kA RMS Sym.

**Agency Information:** CE, UL Listed, UL 4248, Guide IZLT, File E14853, CSA Certified, C22.2 No. 4248, Class 6225-01, File 47235.

**Flammability Rating:** UL 94V0.

**Mounting:** Accepts DIN rail adapter DRA-1.



#### Features and Benefits

- J600 fuse blocks provide one-, two- and three-pole housing for Class J fuses at 600Vac.
- J600 fuse blocks are listed with a Short-Circuit Current Rating of 200kA RMS Sym.

#### Typical Applications

- 600Vac/dc or less Control Systems
- 600Vac/dc or less Industrial Control
- 600Vac/dc or less Individual Control Circuits

#### Catalog Numbers

Catalog Numbers							
Screw†	Pressure Plate†	Box Lug	Box Lug w/ Retaining Clip	Amps	Poles	Fig. No.	Wire Range
J60030-1S*	J60030-1P	J60030-1C	J60030-1CR††	½-30	1	1	C, CR #2-14 Cu, #2-8 Al
J60030-2S*	J60030-2P	J60030-2C	J60030-2CR††		2	2	COR #2-14 Cu Only
J60030-3S*	J60030-3P	J60030-3C	J60030-3CR††		3	3	P, PR, S, SR #10-14 Cu Only
—	—	J60060-1C	J60060-1CR††	31-60	1	1	C, CR, #2-14 Cu/Al COR #4-14 Cu Only
—	—	J60060-2C	J60060-2CR††		2	2	
—	—	J60060-3C	J60060-3CR††		3	3	
—	—	—	J60100-1CR	61-100	1	4	COR 1/0-8 Cu Only
—	—	—	J60100-3CR††		3	5	CR, CRQ 1/0-8 Cu/Al
—	—	—	J60200-1CR	101-200	1	6	CR 250kcmil-6 Cu/Al
—	—	—	J60200-3CR		3	7	
—	—	—	J60400-1CR**	201-400	1	8	CR 500kcmil -4 Cu/Al
—	—	—	J60400-3CR**		3	9	
—	—	—	J60600-1CR	401-600	1	10	CR (2) 500kcmil-4/0 Cu/Al
—	—	—	J60600-3CR*		3	11	

†Clip reinforcing springs are standard on fuse blocks rated 100A and above. Available on 30A and 60A blocks by adding the letter "R" to the end of the part number.

††Copper only connections available by changing "CR" suffix to "COR".

\*No UL, No CSA Certification

\*\*UL Recognized, CSA Certification

#### Dimensions - in (±0.015)

##### ½ - 60A

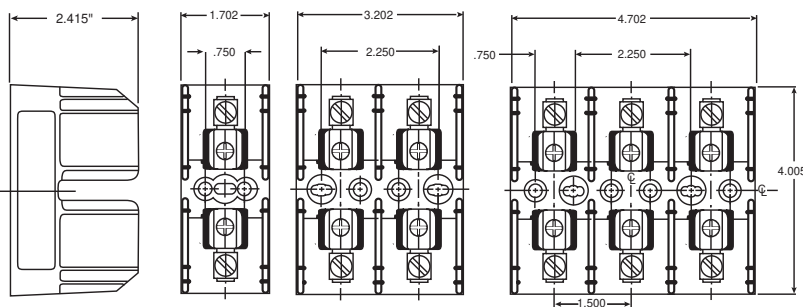


FIGURE 1.

FIGURE 2.

FIGURE 3.

##### 61-100A

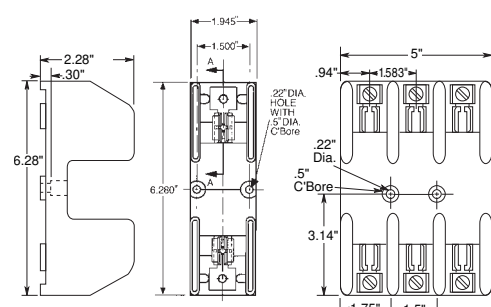


FIGURE 4.

FIGURE 5.

Data Sheet: 1114

## Class J Fuse Blocks

### 101-200A

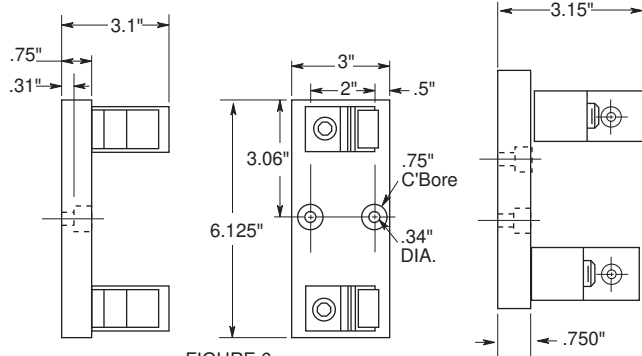


FIGURE 6.

FIGURE 7.

### 201-400A

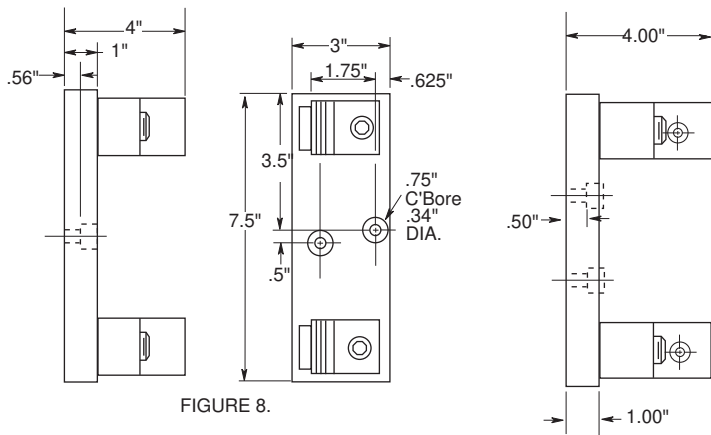


FIGURE 8.

FIGURE 9.

### 401-600A

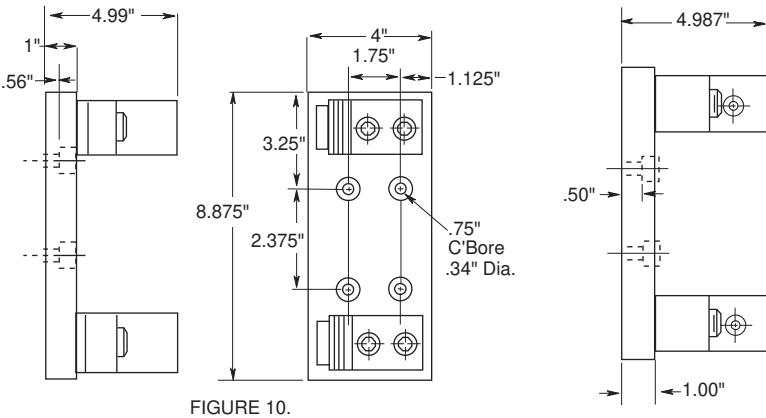


FIGURE 10.

FIGURE 11.

Fuse Holders & Blocks



## Class J Fuse Blocks

### JP Series

#### Specifications

**Description:** Pyramid style 3-pole fuse block for use with Class J fuses (Cooper Bussmann® LPJ, DFJ, JKS).

**Dimensions:** See Dimensions illustrations.

#### Ratings:

- Volts: — 600Vac/dc
- Amps: — 0-30A
- SCCR: — 200kA RMS Sym.

**Agency Information:** CE, UL Listed, UL 4248, Guide IZLT, File E14853, CSA Certified, C22.2 No. 39, Class 4225-04, File 47235.

**Flammability Rating:** UL 94V0.

**Mounting:** Panel or 35mm DIN rail mount.

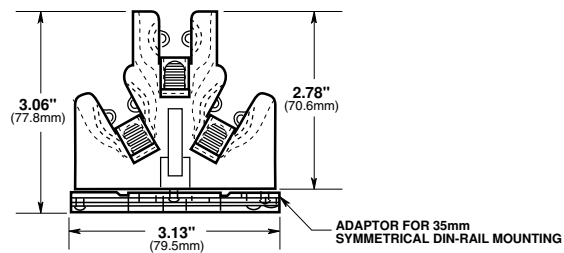
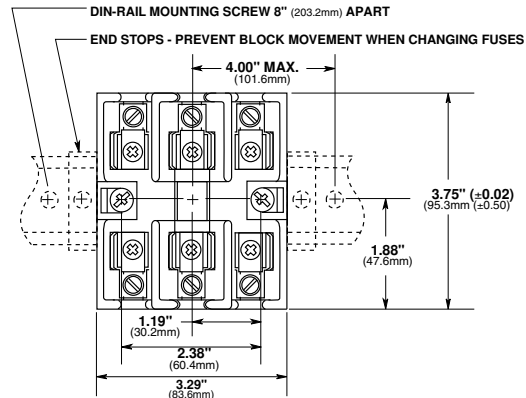
To order DIN rail: Part# NDNA 100 (1 meter) or NDNA 200 (2 meter).

#### Catalog Numbers

Catalog Numbers	Panel	Mounting		Aluminum	Box Copper Only	Wire Range
		With DIN Rail Adapter*	Screws with Pressure Plate			
JP60030-3PR	X		X			#10-14 Cu Only
JP60030-3CR	X			X		#2-14 Cu/Al
JP60030-3COR	X				X	#2-14 Cu Only
JP60030-3PRA		X	X			#10-14 Cu Only
JP60030-3CRA		X		X		#2-14 Cu/Al
JP60030-CORA		X			X	#2-14 Cu Only

\*Adapter only for DIN rail - Cat No. JPA-3.

#### Dimensions - in (mm) ± 0.015" (± 0.40mm)



#### Data Sheet:1108

### JA60030 Add-a-pole

#### Specifications

**Description:** Adder fuse block to achieve number of poles desired, for use with Class J fuses (Cooper Bussmann LPJ, DFJ & JKS).

**Dimensions:** See Dimensions illustrations.

#### Ratings:

- Volts: — 600Vac/dc
- Amps: — 0-30A
- SCCR: — 200kA RMS Sym.

**Agency Information:** UL Listed, UL 4248, Guide IZLT, File E14853, CSA Certified, C22.2 No. 4248, Class 6225-01, File 47235.

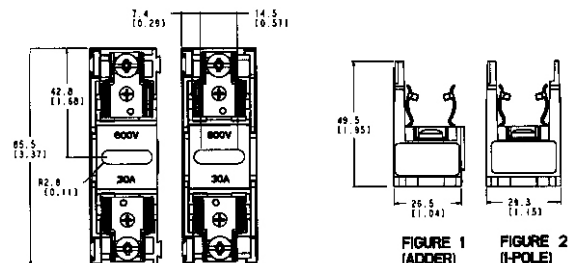
**Flammability Rating:** UL 94V0.

**Mounting:** Panel or 35mm DIN rail mount.

**Features:** Panel and DIN rail mount, adder block, retaining clip



#### Dimensions - in (mm)



Amps	Poles	Screw	Screw w/Retaining Clip	Pressure Plate	Pressure Plate w/Retaining Clip	Box Lug	Box Lug w/Retaining Clip	Wire Range (Cu Only)
½ - 30	ADDER	JA60030-AS	JA60030-ASR	JA60030-AP	JA60030-APR	JA60030-AC	JA60030-ACR	S, SR, P, PR 10 - 18 AWG C, CR, 10 - 14 AWG
	1	JA60030-1S	JA60030-1SR	JA60030-1P	JA60030-1PR	JA60030-1C	JA60030-1CR	
	2	JA60030-2S	JA60030-2SR	JA60030-2P	JA60030-2PR	JA60030-2C	JA60030-2CR	
	3	JA60030-3S	JA60030-3SR	JA60030-3P	JA60030-3PR	JA60030-3C	JA60030-3CR	

## Class T Fuse Blocks – 300V

### T300

#### Specifications

**Description:** T300 (300V) fuse blocks for use with Class T fuses (Cooper Bussmann® JJN).

**Dimensions:** See Dimensions illustrations.

**Poles:** 1 to 4

#### Ratings:

Volts: — 300Vac/dc

Amps: — ½ - 600A

SCCR: — 200kA RMS Sym.

**Agency Information:** CE, UL Listed UL 4248, Guide IZLT, File E14853, CSA Certified, Class 6225-01, File 47235.

**Flammability Rating:** UL 94V0.

#### Features and Benefits

- Provide 1-, 2- and 3-pole housing for 300Vac Class T fuses.
- Short-Circuit Current Rating of 200kA RMS Sym.
- Class T fuse blocks have a small foot print, providing substantial space savings in equipment

#### Typical Applications

- 300Vac/dc or less Control Systems
- 300Vac/dc or less Individual Control Circuits

#### Catalog Numbers

Catalog Numbers					
Screw	Box Lug	Amps	Poles	Fig. No.	Wire Range
T30030-2SR	T30030-2CR	½-30	2	1	SR #10-18 Cu CR #6-14 Cu/Al
T30030-3SR	T30030-3CR		3		
T30030-4SR	T30030-4CR		4		
T30060-2SR	T30060-2CR	31-60	2	1	CR #2-14 Cu/Al SR #10-18 Cu Only
T30060-3SR	T30060-3CR		3		
T30060-4SR	T30060-4CR		4		
—	T30100-1CR	61-100	1	2	1/0-8 Cu/Al
—	T30100-2CR		2		
—	T30100-3CR		3		
—	T30200-1C	101-200	1	3	250kcmil-6 Cu/Al
—	T30200-3C		3	4	
—	T30400-1C	201-400	1	5	600kcmil-2/0 Cu/Al
—	T30600-1C	401-600	1	6	(2) 600kcmil-4/0 Cu/Al

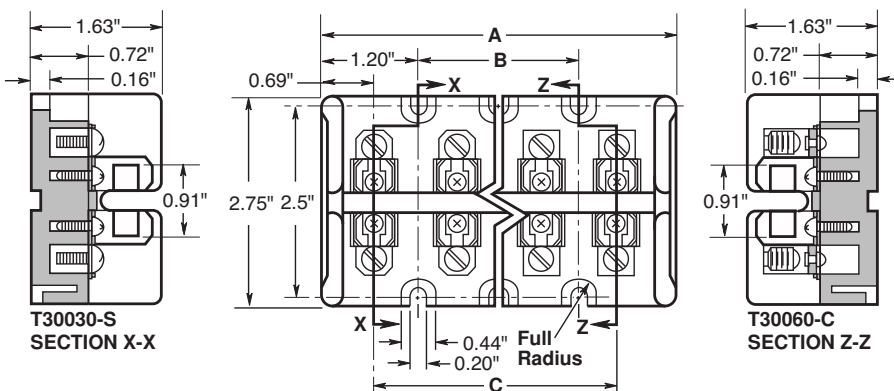


Class T Fuse blocks (300V) Catalog Numbers

Catalog Numbers	Dimensions (in)		
	A	B	C
T30030-2	2.41	—	1.03
T30060-2	2.41	—	1.03
T30030-3	3.44	1.03	2.06
T30060-3	3.44	1.03	2.06
T30030-4	4.47	2.06	3.09
T30060-4	4.47	2.06	3.09

Fuse Holders & Blocks

Dimensions - in Figure 1. ½-60A



Data Sheet: 1115

# Class T Fuse Blocks – 300V

Figure 2. 61 to 100A

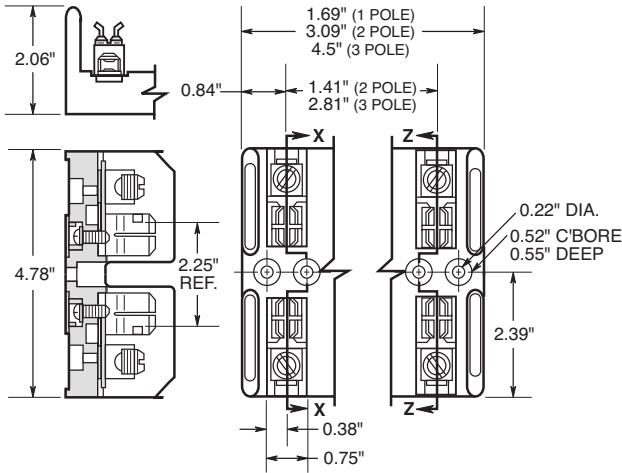


Figure 3. 101 to 200A

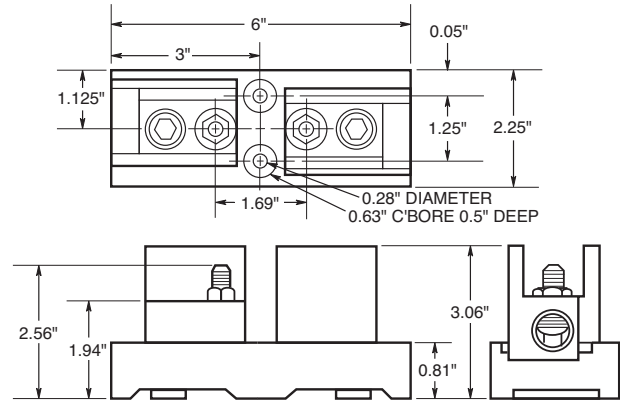


Figure 4. 200A

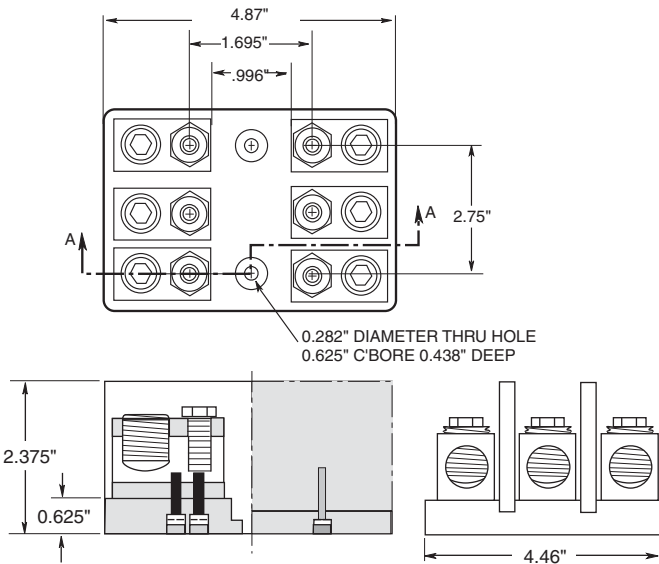


Figure 5. 201 to 400A

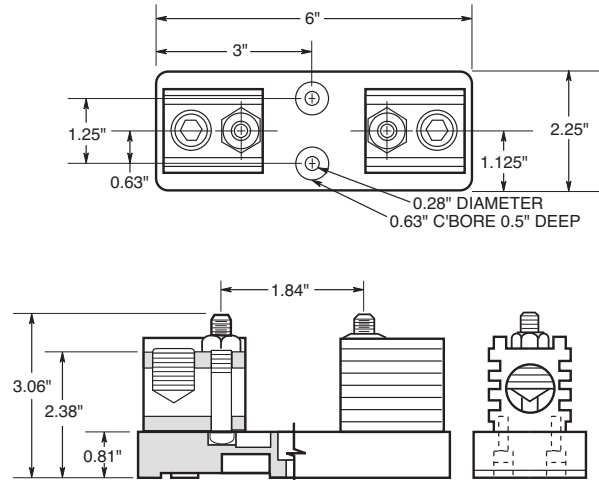
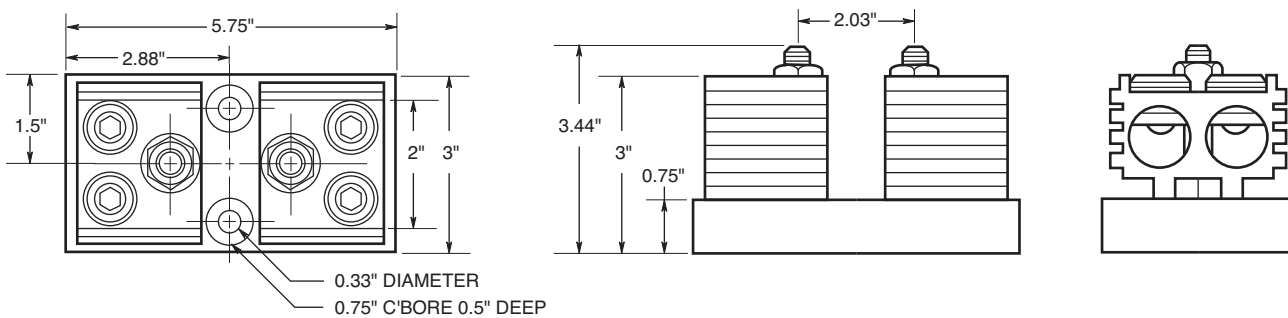


Figure 6. 401 to 600A



## Class T Fuse Blocks – 600V

### T600

#### Specifications

**Description:** T600 (600V) fuse blocks for use with Class T fuses (Cooper Bussmann® JJS).

**Dimensions:** See Dimensions illustrations.

**Poles:** 1 to 3

#### Ratings:

Volts: — 600Vac/dc

Amps: — ½ - 600A

SCCR: — 200kA RMS Sym.

**Agency Information:** CE, UL Listed UL 4248, Guide IZLT, File E14853, CSA Certified, Class 6225-01, File 47235.

**Flammability Rating:** UL 94V0.

#### Features and Benefits

- Provide 1-, 2- and 3-pole housing for 600Vac Class T fuses.
- Short-Circuit Current Rating of 200kA RMS Sym.
- Class T fuse blocks have a small foot print, providing substantial space savings in equipment

#### Typical Applications

- 600Vac/dc or less Control Systems
- 600Vac/dc or less Individual Control Circuits



T60600-1C

T30030-2CR

#### Catalog Numbers

Catalog Numbers					
Screw	Box Lug	Amps	Fig. Poles	No.	Wire Range
T60030-1SR	T60030-1CR	½-30	1	1	SR #10-18 Cu CR #2-14 Cu/Al
T60030-2SR	T60030-2CR		2		
T60030-3SR	T60030-3CR		3		
T60060-1SR	T60060-1CR	31-60	1	2	CR #2-14 Cu/Al SR #10-18 Cu Only
T60060-2SR	T60060-2CR		2		
T60060-3SR	T60060-3CR		3		
—	T60100-1C	61-100	1	3	2/0-14 Cu/Al
—	T60100-2C		2		
—	T60100-3C		3		
—	T60200-1C	101-200	1	4	250kcmil-6 Cu/Al
—	1B0089*		3		
—	T60400-1C	201-400	1	5	600kcmil-2/0 Cu/Al
—	T60600-1C	401-600	1	6	(2) 600kcmil-4/0 Cu/Al

\* UL Listed, Guide IZLT, File E14853, CSA Certified Class 6225-01, File 21455M18

#### Dimensions - in

Figure 1. ½ to 30A

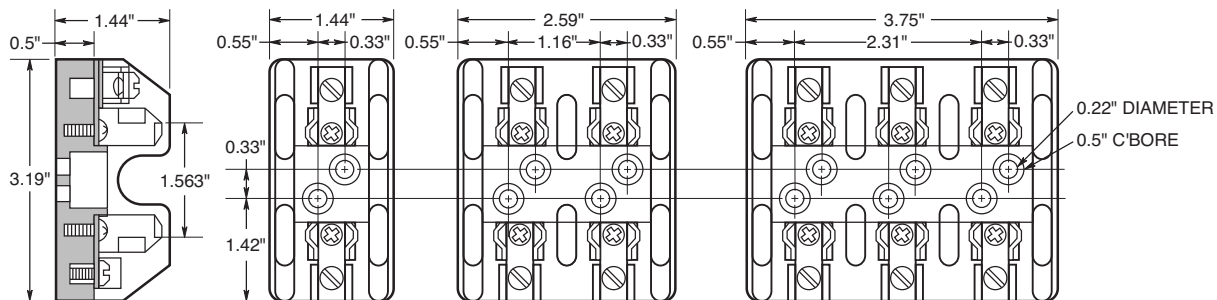
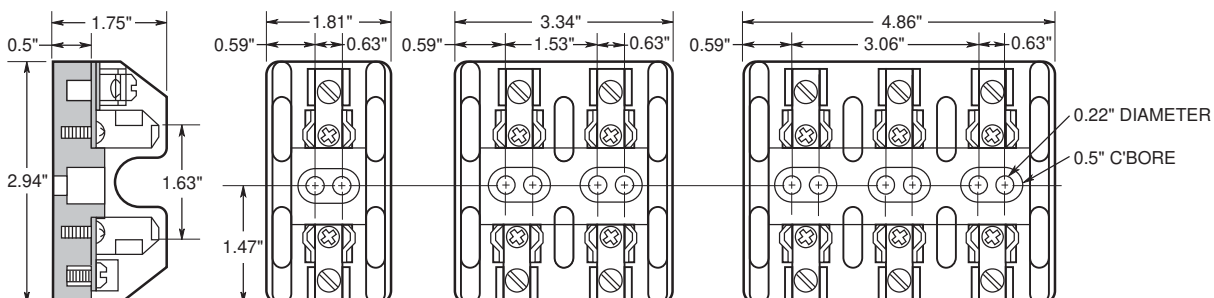


Figure 2. 31 to 60A



Data Sheet: 1116

# Class T Fuse Blocks – 600V

Figure 3. 61 to 100A

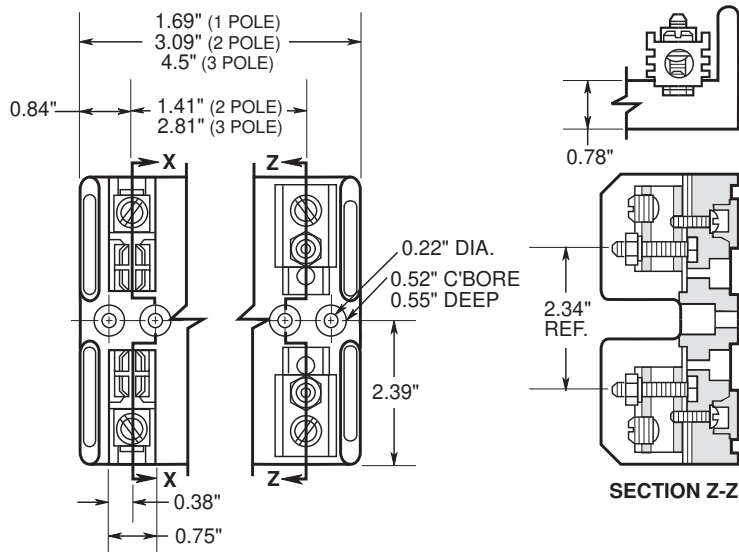


Figure 4. 101 to 200A

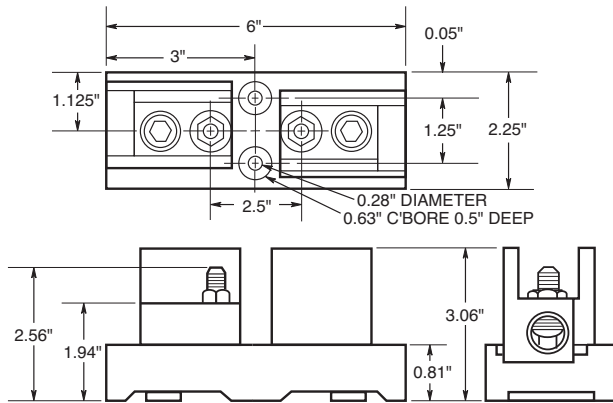


Figure 5. 201 to 400A

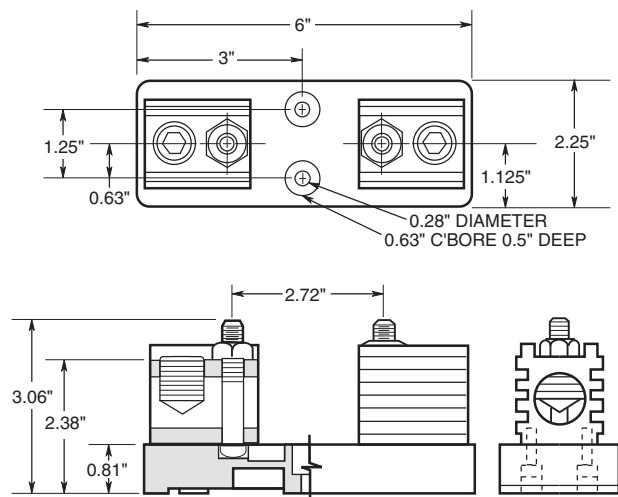
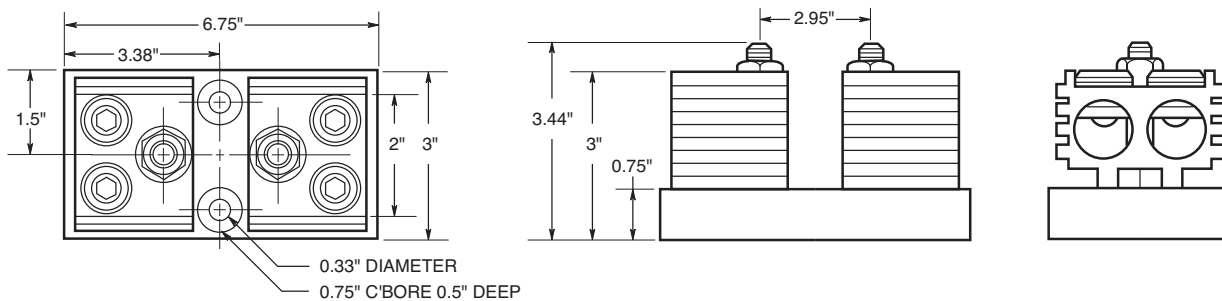


Figure 6. 401 to 600A





## Add-a-pole Fuse Blocks

### BCA Series - Class CC fuses BMA Series - 1 1/2" X 1 1/2" fuses

#### Specifications

**Description:** 1-, 2 and 3-pole fuse blocks for use with Class CC fuses (BCA Series use Cooper Bussmann® LP-CC, KTK-R, and FNQ-R), or with standard 1 1/2" x 1 1/2" fuses (BMA Series use Cooper Bussmann® KTK, FNQ, FNM, BAF, PV and AGU) Both Series use an "adder block" to form multi-pole segmented blocks to achieve the desired number of poles.

**Dimensions:** See Dimensions illustration.

**Poles:** 1 to 3.

**Wire Range:** #10-#18 Cu only.

**Terminals:** Screw/quick connect\* or pressure plate/quick connect\*.

#### Ratings:

Volts: — 600Vac/dc

Amps: — 1/0-30A

SCCR: — BCA Series:  
200kA RMS Sym.  
BMA Series:  
10kA RMS Sym.

#### Agency Information:

**BCA Series:** CE, UL Listed, UL 4248, Guide IZLT, File E14853. CSA Certified, C22.2 No. 4248, Class 6225-01, File 47235.

**BMA Series:** CE, UL Recognized, UL 4248, Guide IZLT2, File E14853. CSA Certified, C22.2 No. 4248, Class 6225-01, File 47235.

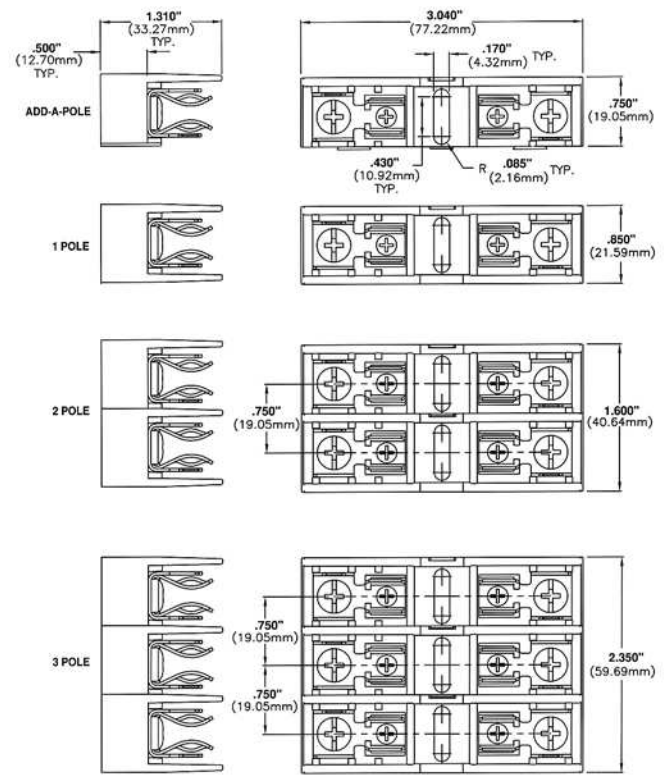
**Flammability Rating:** UL 94V0

\*Quick connect rated for 20A maximum.

#### Catalog Numbers

BCA Series Catalog Numbers	Poles	Terminal Type
BCA603ASQ	Adder Block	Screw w/ quick connect
BCA6031SQ	1	Screw w/ quick connect
BCA6032SQ	2	Screw w/ quick connect
BCA6033SQ	3	Screw w/ quick connect
BCA603APQ	Adder Block	Pressure plate w/ quick connect
BCA6031PQ	1	Pressure plate w/ quick connect
BCA6032PQ	2	Pressure plate w/ quick connect
BCA6033PQ	3	Pressure plate w/ quick connect

#### Dimensions in ± 0.015" (mm 0.38mm)



Fuse Holders & Blocks

BMA Series Catalog Numbers	Poles	Terminal Type
BMA603ASQ	Adder Block	Screw w/ quick connect
BMA6031SQ	1	Screw w/ quick connect
BMA6032SQ	2	Screw w/ quick connect
BMA6033SQ	3	Screw w/ quick connect
BMA603APQ	Adder Block	Pressure plate w/ quick connect
BMA6031PQ	1	Pressure plate w/ quick connect
BMA6032PQ	2	Pressure plate w/ quick connect
BMA6033PQ	3	Pressure plate w/ quick connect

Data Sheets: BCA Series 1154, BMA Series 1155