



Chipsmall Limited consists of a professional team with an average of over 10 year of expertise in the distribution of electronic components. Based in Hongkong, we have already established firm and mutual-benefit business relationships with customers from,Europe,America and south Asia,supplying obsolete and hard-to-find components to meet their specific needs.

With the principle of “Quality Parts,Customers Priority,Honest Operation,and Considerate Service”,our business mainly focus on the distribution of electronic components. Line cards we deal with include Microchip,ALPS,ROHM,Xilinx,Pulse,ON,Everlight and Freescale. Main products comprise IC,Modules,Potentiometer,IC Socket,Relay,Connector.Our parts cover such applications as commercial,industrial, and automotives areas.

We are looking forward to setting up business relationship with you and hope to provide you with the best service and solution. Let us make a better world for our industry!



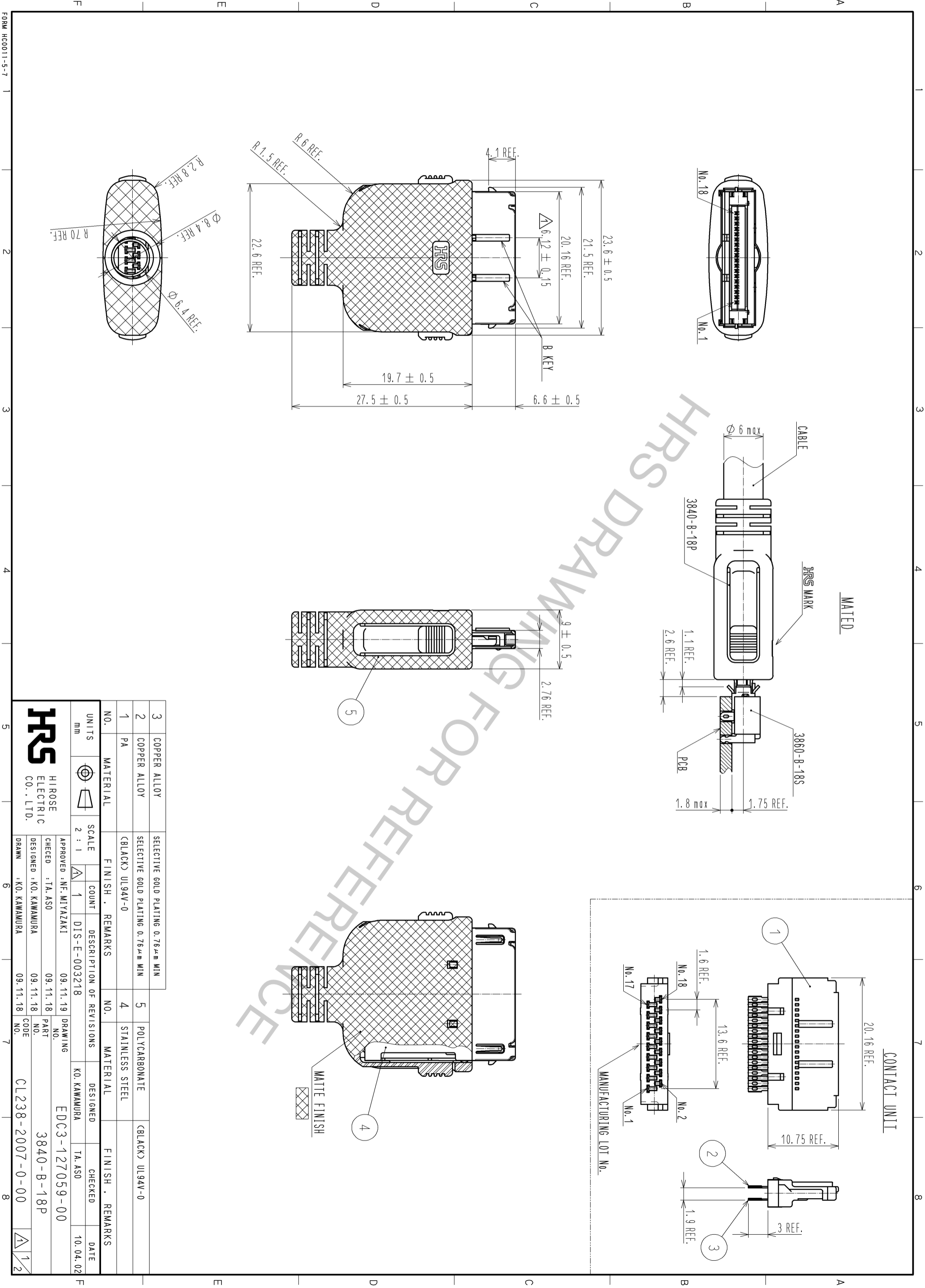
## Contact us

Tel: +86-755-8981 8866 Fax: +86-755-8427 6832

Email & Skype: info@chipsmall.com Web: www.chipsmall.com

Address: A1208, Overseas Decoration Building, #122 Zhenhua RD., Futian, Shenzhen, China

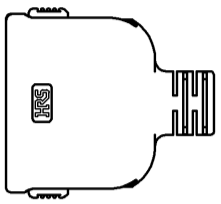




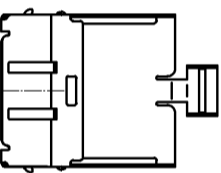
3	COPPER ALLOY	SELECTIVE GOLD PLATING 0.76 $\mu$ m MIN																			
2	COPPER ALLOY	SELECTIVE GOLD PLATING 0.76 $\mu$ m MIN																			
1	PA	(BLACK) UL94V-0																			
NO.	MATERIAL	FINISH	REMARKS	NO.	MATERIAL																
UNITS	SCALE	COUNT	DESCRIPTION OF REVISIONS	DESIGNED	CHECKED																
mm	2 : 1	1	DIS-E-003218	KO. KAWAMURA	TA.ASO																
				DATE	DATE																
				10.04.02																	
<table border="1"> <tr> <td>APPROVED : NF. MIYAZAKI</td> <td>09.11.19</td> <td>DRAWING</td> <td>EDC3-127059-00</td> </tr> <tr> <td>CHECKED : TA.ASO</td> <td>09.11.18</td> <td>PART</td> <td>3840-B-18P</td> </tr> <tr> <td>DESIGNED : KO. KAWAMURA</td> <td>09.11.18</td> <td>NO.</td> <td></td> </tr> <tr> <td>DRAWN : KO. KAWAMURA</td> <td>09.11.18</td> <td>CODE</td> <td>CL238-2007-0-00</td> </tr> </table>						APPROVED : NF. MIYAZAKI	09.11.19	DRAWING	EDC3-127059-00	CHECKED : TA.ASO	09.11.18	PART	3840-B-18P	DESIGNED : KO. KAWAMURA	09.11.18	NO.		DRAWN : KO. KAWAMURA	09.11.18	CODE	CL238-2007-0-00
APPROVED : NF. MIYAZAKI	09.11.19	DRAWING	EDC3-127059-00																		
CHECKED : TA.ASO	09.11.18	PART	3840-B-18P																		
DESIGNED : KO. KAWAMURA	09.11.18	NO.																			
DRAWN : KO. KAWAMURA	09.11.18	CODE	CL238-2007-0-00																		

【 3840-\*\*-18P PACKING SPECIFICATION 】

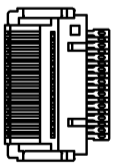
<HOOD>



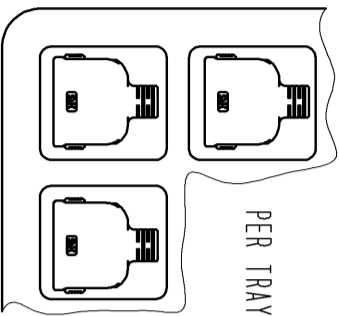
<METAL SHELL>



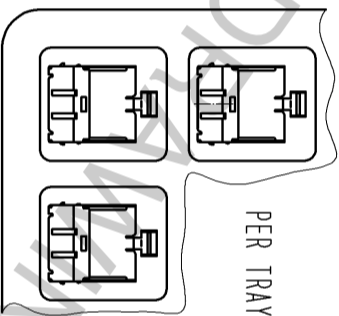
<UNIT>



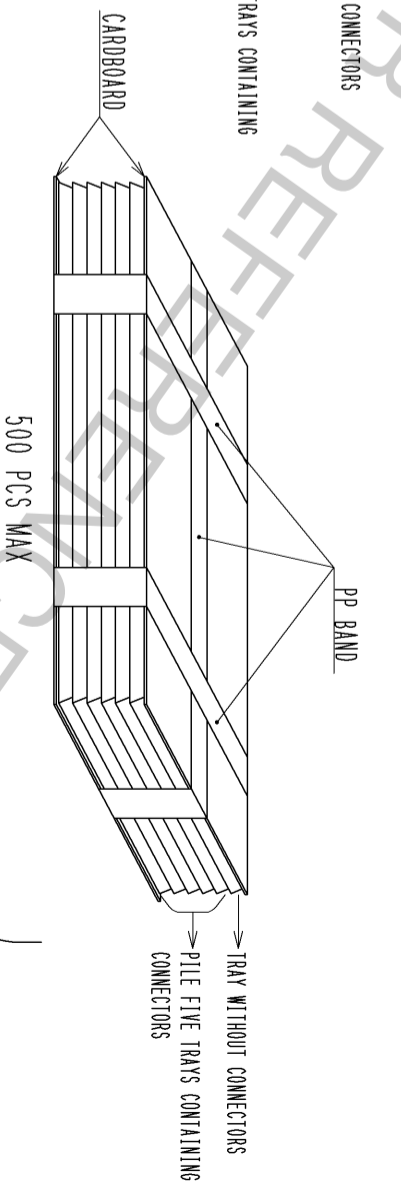
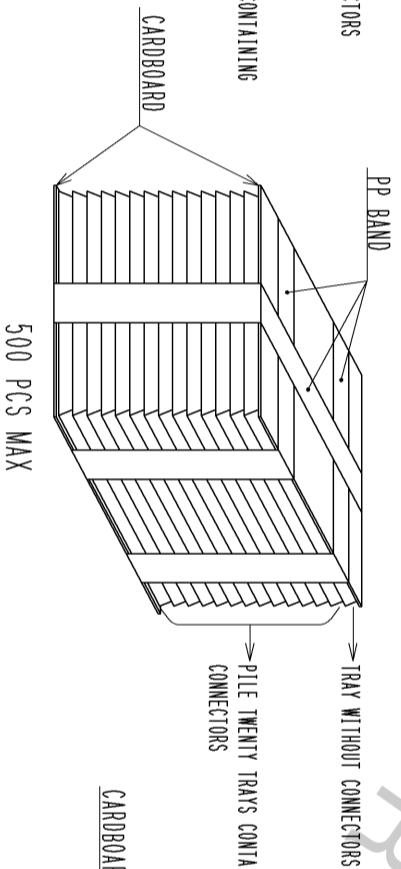
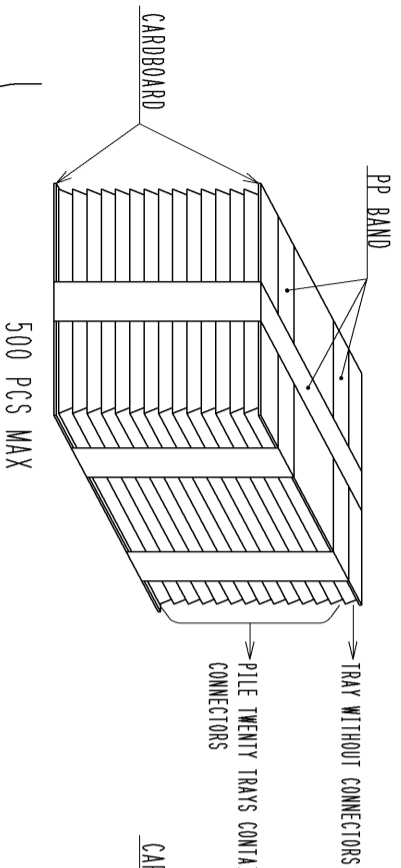
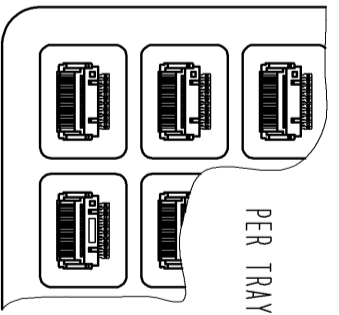
PER TRAY : 25 PCS MAX



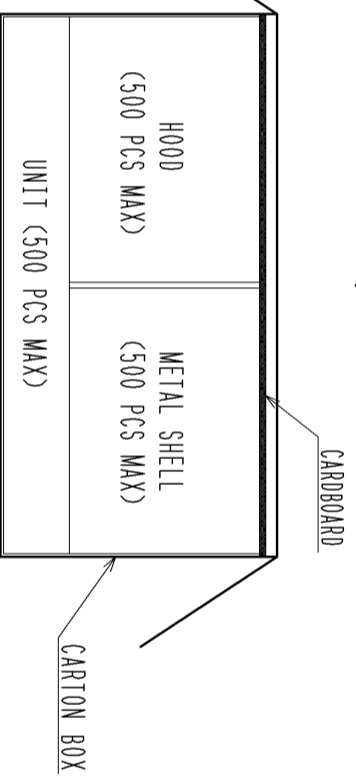
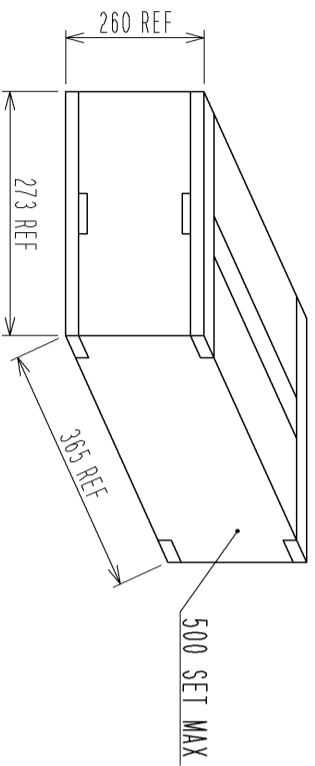
PER TRAY : 25 PCS MAX



PER TRAY : 100 PCS MAX



PACKING SPECIFICATION



<b>HRS</b>	DRAWING NO.	EDC3-127059-00
	PART NO.	3840-B-18P
	CODE	CL238-2007-0-00
	NO.	