



Chipsmall Limited consists of a professional team with an average of over 10 year of expertise in the distribution of electronic components. Based in Hongkong, we have already established firm and mutual-benefit business relationships with customers from,Europe,America and south Asia,supplying obsolete and hard-to-find components to meet their specific needs.

With the principle of “Quality Parts,Customers Priority,Honest Operation,and Considerate Service”,our business mainly focus on the distribution of electronic components. Line cards we deal with include Microchip,ALPS,ROHM,Xilinx,Pulse,ON,Everlight and Freescale. Main products comprise IC,Modules,Potentiometer,IC Socket,Relay,Connector.Our parts cover such applications as commercial,industrial, and automotives areas.

We are looking forward to setting up business relationship with you and hope to provide you with the best service and solution. Let us make a better world for our industry!



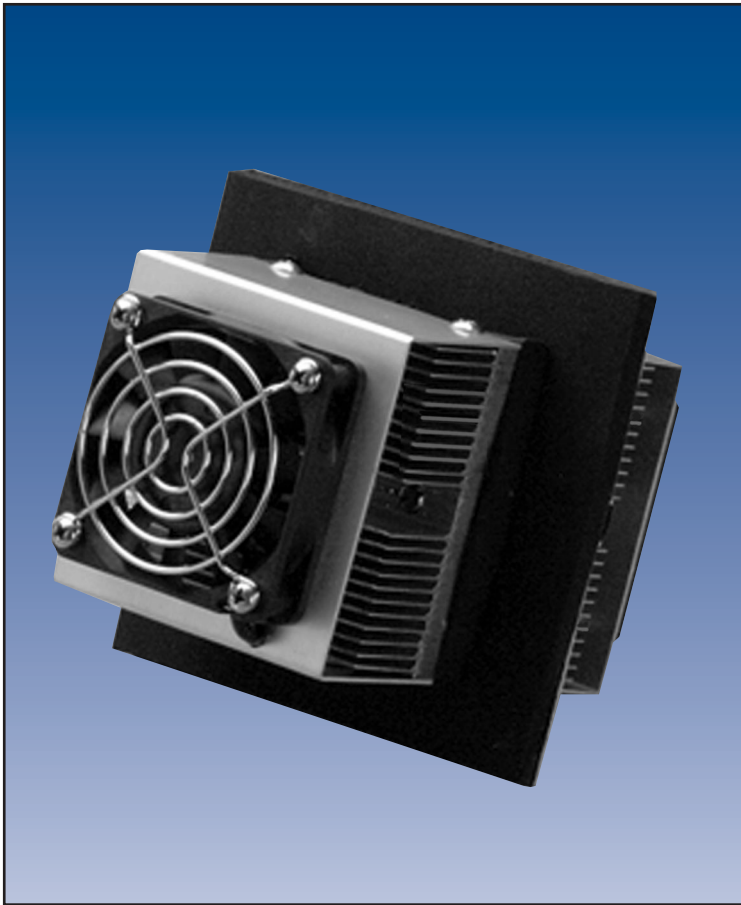
## Contact us

Tel: +86-755-8981 8866 Fax: +86-755-8427 6832

Email & Skype: info@chipsmall.com Web: www.chipsmall.com

Address: A1208, Overseas Decoration Building, #122 Zhenhua RD., Futian, Shenzhen, China



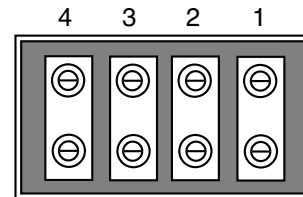


Model MAA050T-12

## MAA050T-12

The MAA050T-12 Thermoelectric air conditioner is designed for small electronic cabinets and environmental chambers. It can cool to 68°F below ambient or maintain ambient temperatures while removing up to 50 BTU/Hr (@ 77°F ambient). Because there is no air exchanged between the cabinet and the ambient, the MAA050T-12 is ideal for NEMA 12 requirements. This air conditioner is virtually maintenance-free, with no filters to change, and can be mounted in any orientation, offering design flexibility with solid-state reliability.

### Wiring Schematic (Power Connector)



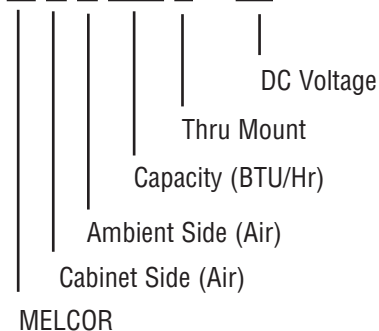
Position	Description
1	TEC +
2	TEC -
3	FAN +
4	FAN -

Specifications:	
Model:	MAA050T-12
Capacity	50 BTU/Hr (15 Watts)
Input Voltage	12 VDC
Max. Ambient Temp. **	140°F / 60° C
Current (Running)	3.0 amps
Weight	1.8 lbs. (0.82 kg)
Rating Maintained	NEMA 12
Overall Dimensions	4.5" H x 4.5" W x 6.0" D (114mm x 114mm x 152mm)

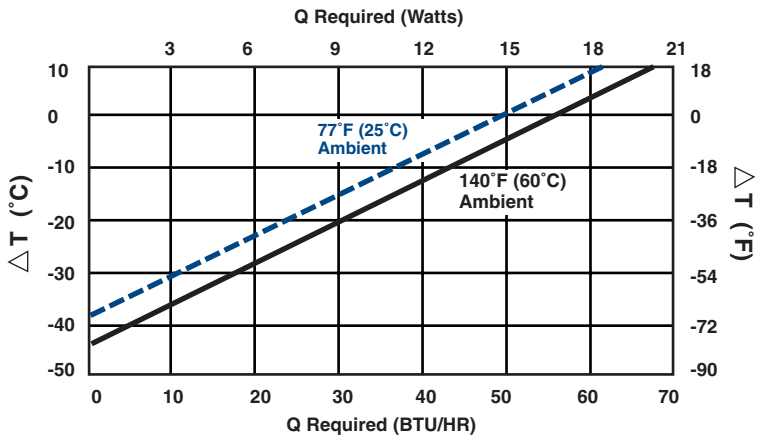
\*\* Consult MELCOR for higher ambient temperature.

### Model Number Nomenclature

#### M A A 050 T - 12



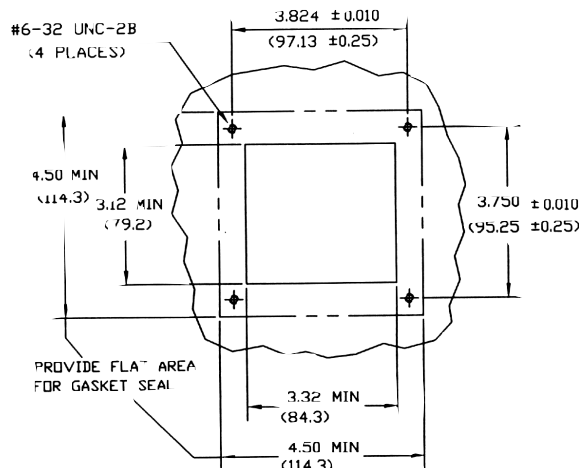
## Performance Curve: MAA050T-12



**Important:**  
 The air conditioner performance curves are dependent upon active and passive heat loads. To calculate passive cabinet heat gain, see the instructions on pages 6 and 7. For assistance contact MELCOR.

$\Delta T = T_{max \text{ Cabinet}} - T_{max \text{ Ambient}}$

## Installation Cutout



## Dimensional Drawing

