



Chipsmall Limited consists of a professional team with an average of over 10 year of expertise in the distribution of electronic components. Based in Hongkong, we have already established firm and mutual-benefit business relationships with customers from,Europe,America and south Asia,supplying obsolete and hard-to-find components to meet their specific needs.

With the principle of “Quality Parts,Customers Priority,Honest Operation,and Considerate Service”,our business mainly focus on the distribution of electronic components. Line cards we deal with include Microchip,ALPS,ROHM,Xilinx,Pulse,ON,Everlight and Freescale. Main products comprise IC,Modules,Potentiometer,IC Socket,Relay,Connector.Our parts cover such applications as commercial,industrial, and automotives areas.

We are looking forward to setting up business relationship with you and hope to provide you with the best service and solution. Let us make a better world for our industry!



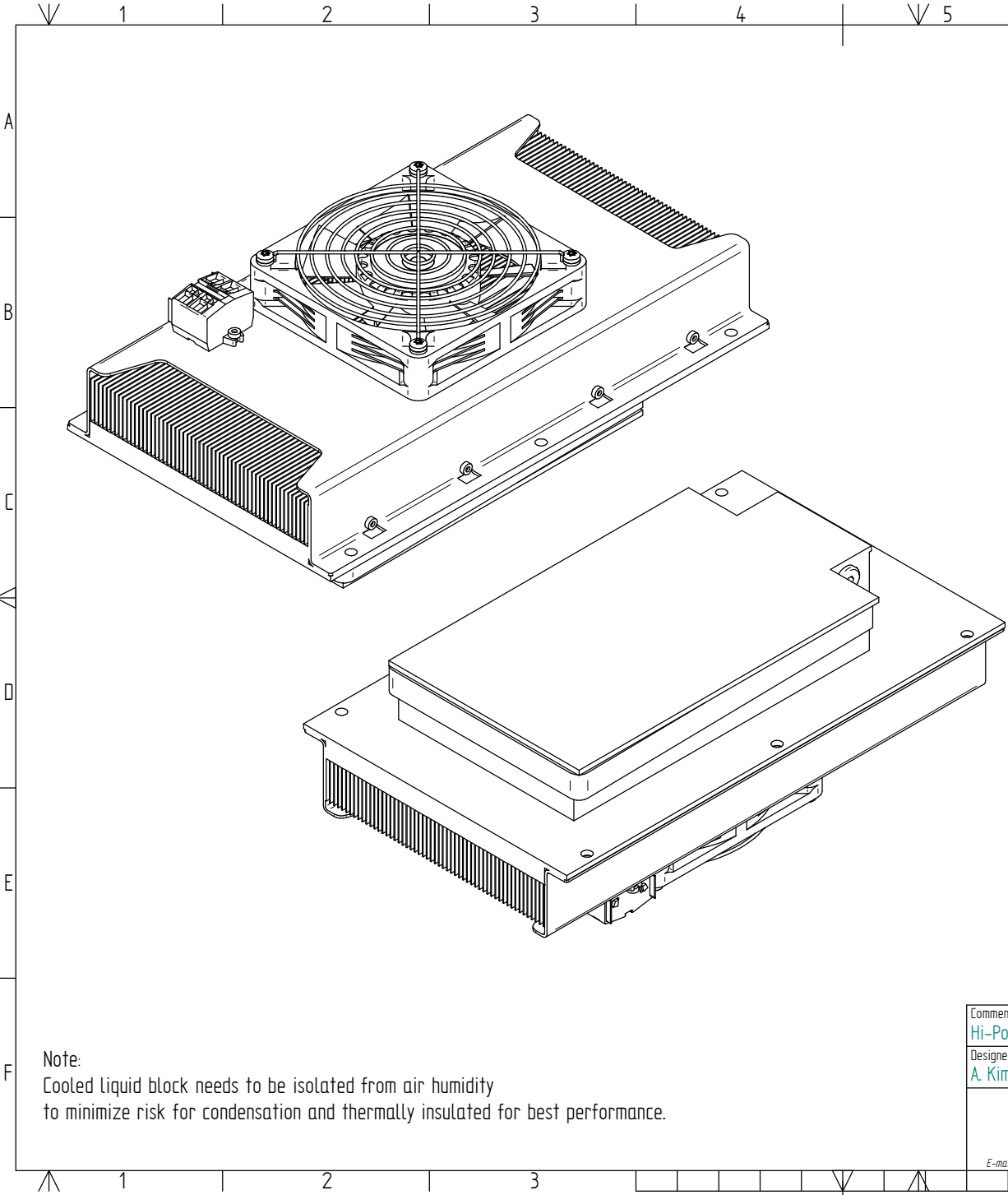
Contact us

Tel: +86-755-8981 8866 Fax: +86-755-8427 6832

Email & Skype: info@chipsmall.com Web: www.chipsmall.com

Address: A1208, Overseas Decoration Building, #122 Zhenhua RD., Futian, Shenzhen, China





Description:		Code:	Specification: (Ta=35°C, dT=0°C)
Heat transfer, cold side:	L	Liquid	
Heat transfer, warm side:	A	Air	
Cascade:	-		
Cooling power: [W]	100	202 W @ 3 lpm (liters per minute). (Tolerance: ±10%)	
TEA Voltage, nominal: [VDC]	24	24 VDC	
TEM Voltage: [VDC]		Nominal: 24 VDC (Max: 30 VDC)	
TBM Current: [A]		Nominal: 6.9 A, Initial: 8.1 A (Calculated, Tolerance: ±10%)	
Fans, cold side:	0	None	
Fans, warm side:	2	Nominal current: 0.5 A, Voltage range: 18 - 26.4 VDC, L10: 60,000 hrs. at 40°C	
Temperature controller, sensor:	0	None	
Temperature control settings, trim options:	0	-	
Temperature control position:	0	-	
Additional controller information:	0	-	
Overheating thermostat:		None	
Operating temperature:		-20°C to +70°C at nominal voltage.	
TE-Module(s) temperature specification:		Max. surface temperature: 80°C	
Enclosed:		Turbulators mounted in heat sink liquid channels (2x) L-PNIPP-6-V8 (2x)	

Note:
Cooled liquid block needs to be isolated from air humidity
to minimize risk for condensation and thermally insulated for best performance.

General tolerances: SS-ISO 2768-1 v
First angle projection: Dimension units: Metric: [mm]

Comment/Treating: Hi-Pot tested 750 VDC				
Designed by: A. Kim	Checked by: M. Karlstedt	Approved by: A. Kim	Release date: 2018-04-09	Project: BOOSTED
 E-mail: info@gothenburg.lairdtech.com Web: www.lairdtech.com		Title: LA,100,24, LIQUID - AIR		
		Part nr: 387000639	Rev: 02	Scale: -

This drawing is the property of Laird Technologies, Inc. Protected in accordance with prevailing law.

1 2 3 4 5 6 7 8

A

B

C

D

E

F

A

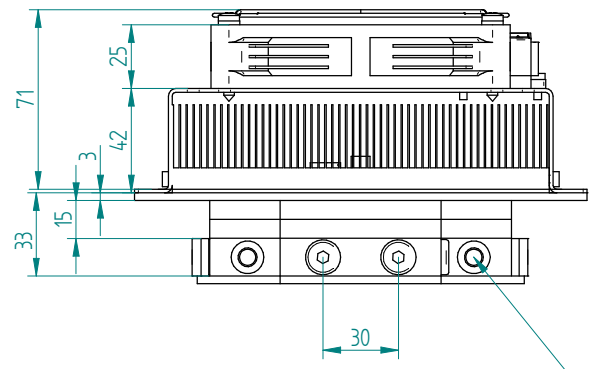
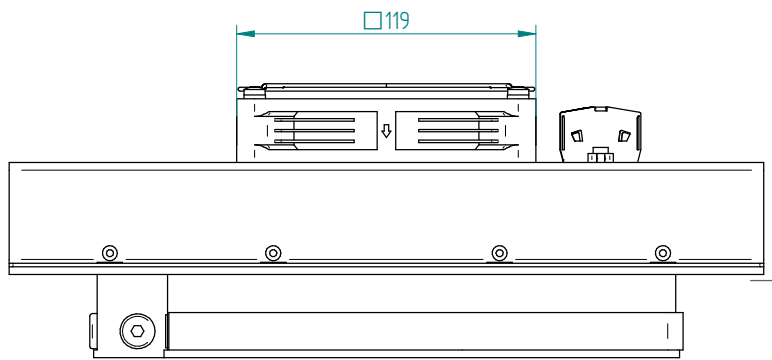
B

C

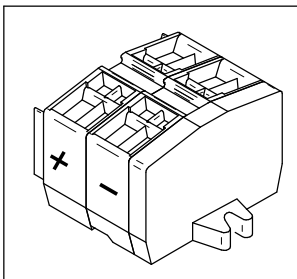
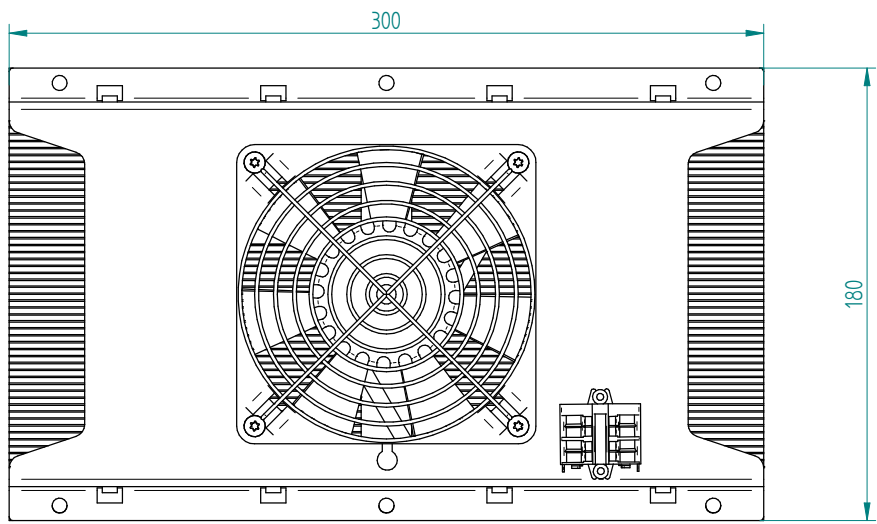
D

E

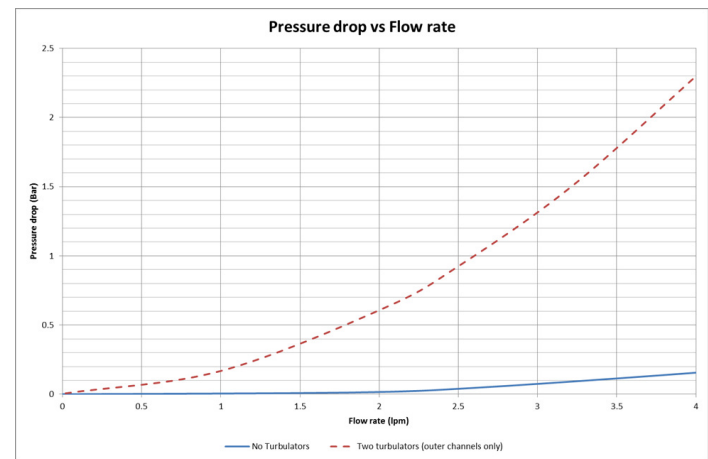
F



Typical Pressure - Flow behavior of liquid block assembly.
(for more information contact Laird Technologies customer service)



Warning:
Do not reverse current or use PWM-regulation on fan supply



General tolerances: SS-ISO 2768-1 v
First angle projection
Dimension units: Metric: [mm]

Comment/Treating: Hi-Pot tested 750 VDC		Release date: 2018-04-09		Project: BOOSTED	
Designed by: A. Kim	Checked by: M. Karlstedt	Approved by: A. Kim			
<p>E-mail: info.gothenburg@lairdtech.com Web: www.lairdtech.com</p>		Title: LA,100,24, LIQUID - AIR		Rev: 02	Scale: Size, sheet
		Part nr: 387000639		-	A3, 215

1 2 3 4 5 6 7 8

This drawing is the property of Laird Technologies, Inc. Protected in accordance with prevailing law.

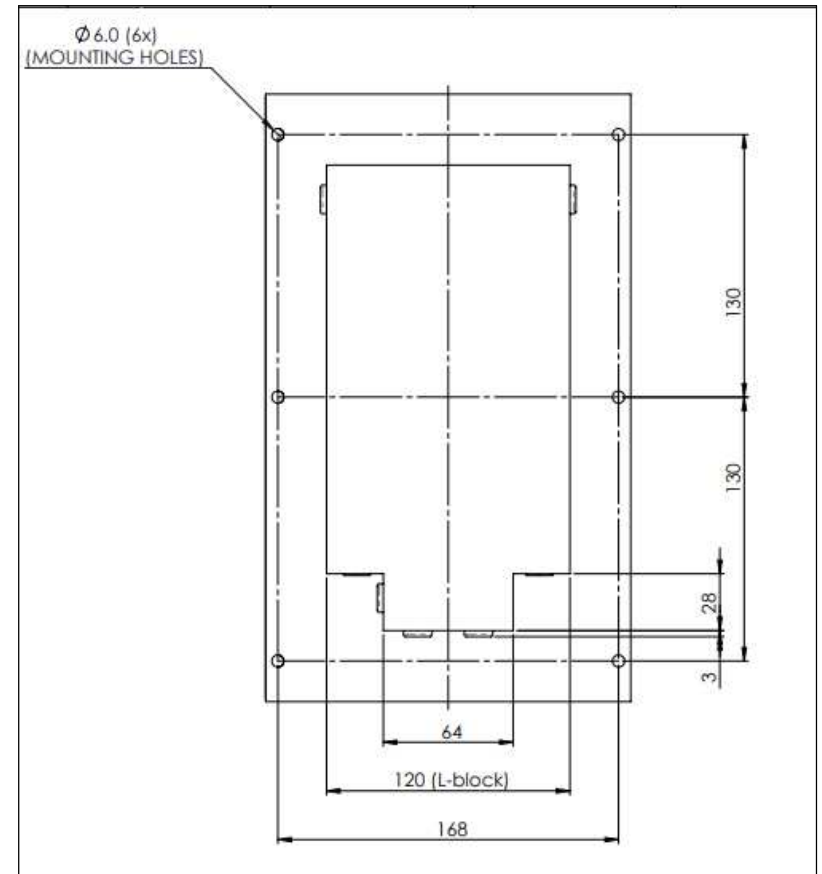
Installation and Service manual

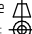
Installation:


1. The TE assembly must be protected from external force or violence.
2. The power line to the assembly needs to be protected by a fuse. The fuse rating should be of at least the nominal current of the assembly. It must withstand 150% of rated current for at least 60 seconds.
This is valid at $T_a=35^\circ\text{C}$. Fuse ratings for other ambient temperatures ($x^\circ\text{C}$) can be calculated with the formula $I[x^\circ\text{C}]=I[35^\circ\text{C}]/(1+0.005*(x-35))$.
This is valid when regulating with an ON/OFF regulation. At rapid temperature cycling where this is applicable, there can be need for even higher fuse ratings.
3. Cooled parts needs to be isolated from air humidity to minimize risk for condensation and thermally insulated for best performance.
4. Max ripple on supplied power =5%.
5. Switching power to TEM:s at frequencies between 0.01 Hz to 5 kHz will render premature failure of modules and must be avoided.

Service:

Fan impellers and heat sinks must be cleaned on regular intervals to reduce risk for overheating and reduction of cooling function. The interval may vary depending on environment.



General tolerances: SS-ISO 2768-1 v
First angle projection:  Dimension units: Metric: [mm]

Comment/Treating: Hi-Pot tested 750 VDC				
Designed by: A. Kim	Checked by: M. Karlstedt	Approved by: A. Kim	Release date: 2018-04-09	Project: BOOSTED
 <small>E-mail: info.göteborg@lairdtech.com Web: www.lairdtech.com</small>		Title: LA,100,24, LIQUID - AIR		
		Part nr: 387000639	Rev. 02	Scale: Size, sheet - A3, 3/5