



Chipsmall Limited consists of a professional team with an average of over 10 year of expertise in the distribution of electronic components. Based in Hongkong, we have already established firm and mutual-benefit business relationships with customers from,Europe,America and south Asia,supplying obsolete and hard-to-find components to meet their specific needs.

With the principle of “Quality Parts,Customers Priority,Honest Operation,and Considerate Service”,our business mainly focus on the distribution of electronic components. Line cards we deal with include Microchip,ALPS,ROHM,Xilinx,Pulse,ON,Everlight and Freescale. Main products comprise IC,Modules,Potentiometer,IC Socket,Relay,Connector.Our parts cover such applications as commercial,industrial, and automotives areas.

We are looking forward to setting up business relationship with you and hope to provide you with the best service and solution. Let us make a better world for our industry!



Contact us

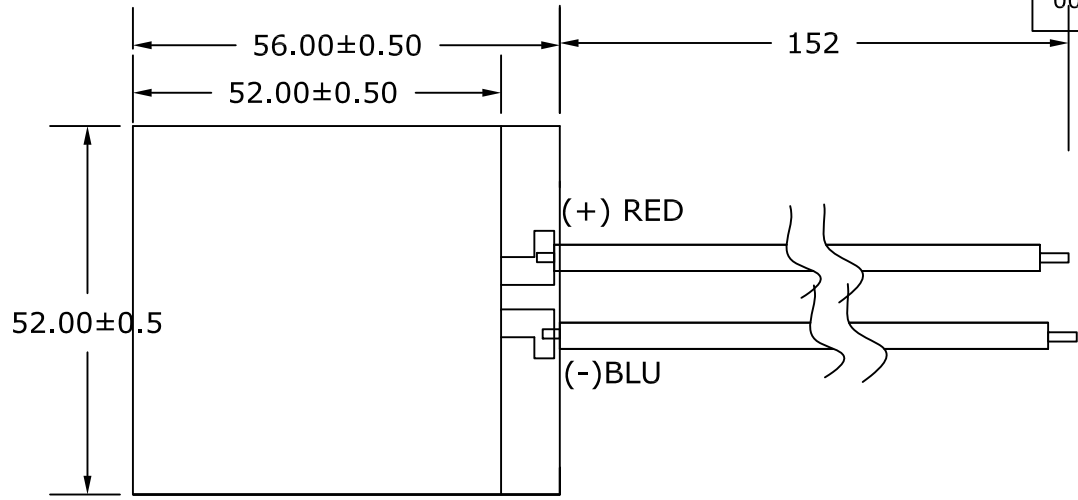
Tel: +86-755-8981 8866 Fax: +86-755-8427 6832

Email & Skype: info@chipsmall.com Web: www.chipsmall.com

Address: A1208, Overseas Decoration Building, #122 Zhenhua RD., Futian, Shenzhen, China

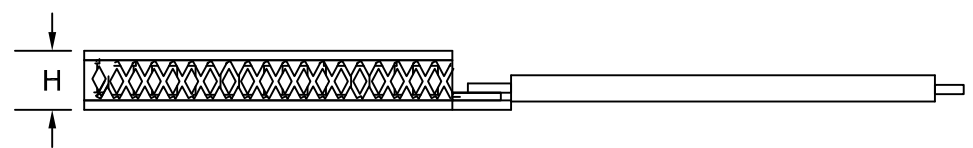


REV	BY	DATE	ECN/ERO	DESCRIPTION
00	Jinlong	09/16/17	-	PRODUCTION RELEASE



NOTES:

- ① Wire are UL1213 AWG20,19/32 TEFLON, STRANDS.
- ② Lapped both side, height is 3.300±0.025mm, flatness and parallel is 0.025mm.
- ③ Sealed with RTV
- ④ ACR: 1.693 - 1.882 - 2.070 ohms(23°C)



REFERENCE ONLY!	
Nominal Specs (@25°C)	
I_{max} (A)	15.4
U_{max} (V)	32.7
Q_{max} (W)	294.6
ΔT_{max} (°C)	67

Ceramic Material: Alumina(Al₂O₃)
Solder Construction: 232°C SbSn

NOTE:
ALL DIMENSIONS = mm

		P/N	DESCRIPTION	
		387001828	ET15,288,F2,5252,TA,RT,W6	
4707 DETROIT AVE CLEVELAND, OHIO 44102 PH. (216) 939-2300 FAX (216) 939-2310		TITLE		
SURFACE FINISH 3.2 √μm 125 √μin (UNLESS OTHERWISE SPECIFIED) BREAK ALL EDGES; 0.015 [0.40mm] x 45°		THERMOELECTRIC MODULE 232° SbSn CONSTRUCTION		
NAME	DATE	DWG NO	REV	
DRAWN BY	Jinlong	09/16/17	387001828 00	
INITIATED BY				
APPROVAL				