



Chipsmall Limited consists of a professional team with an average of over 10 year of expertise in the distribution of electronic components. Based in Hongkong, we have already established firm and mutual-benefit business relationships with customers from,Europe,America and south Asia,supplying obsolete and hard-to-find components to meet their specific needs.

With the principle of “Quality Parts,Customers Priority,Honest Operation,and Considerate Service”,our business mainly focus on the distribution of electronic components. Line cards we deal with include Microchip,ALPS,ROHM,Xilinx,Pulse,ON,Everlight and Freescale. Main products comprise IC,Modules,Potentiometer,IC Socket,Relay,Connector.Our parts cover such applications as commercial,industrial, and automotives areas.

We are looking forward to setting up business relationship with you and hope to provide you with the best service and solution. Let us make a better world for our industry!



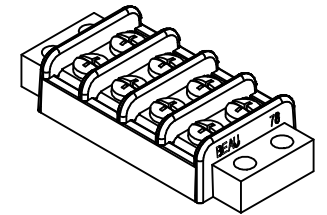
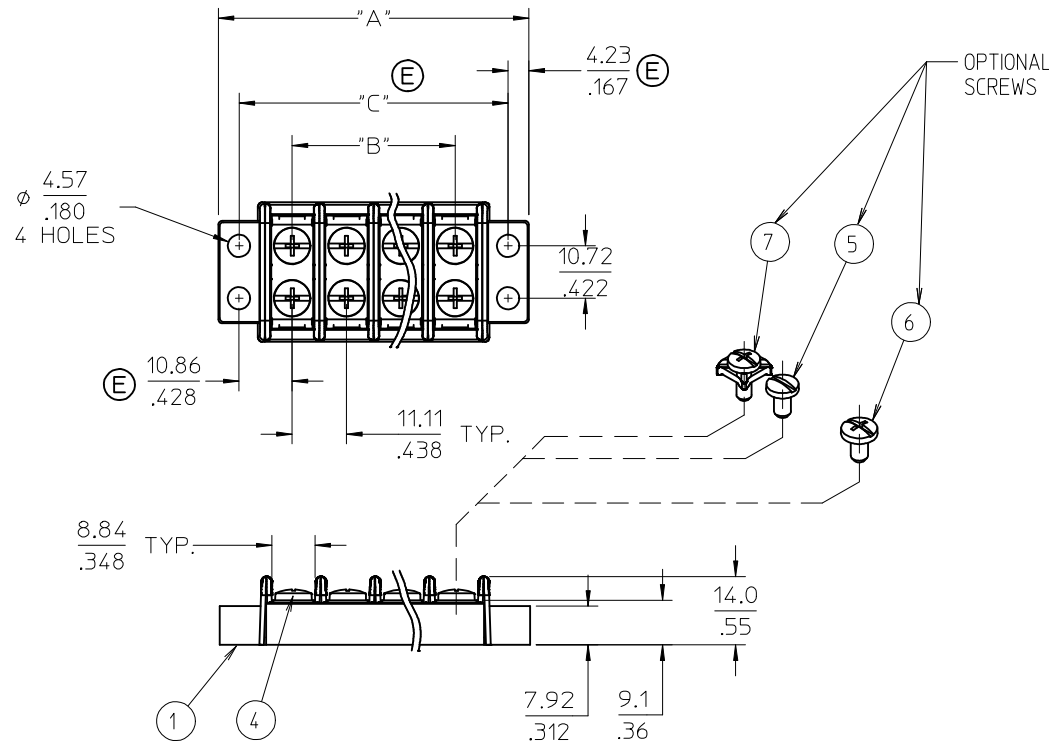
Contact us

Tel: +86-755-8981 8866 Fax: +86-755-8427 6832

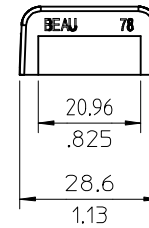
Email & Skype: info@chipsmall.com Web: www.chipsmall.com

Address: A1208, Overseas Decoration Building, #122 Zhenhua RD., Futian, Shenzhen, China





4 CIRCUIT SHOWN



NOTES:

1. MATERIAL: SEE TABLE
2. FINISHES: SEE TABLE
3. "XX" REFERS TO THE QUANTITY OF CIRCUITS.
4. ALL COMPONENTS ARE ROHS COMPLIANT.

REF. REPLACES DRAWING SD-38789-003

ITEM	QTY.	DESCRIPTION	MATERIAL	FINISH
7	2(XX)	SCREW W/WASHER, #6-32, PHIL-SLOT (OPT -50)	STEEL	ZN, CLEAR CHROMATE
6	2(XX)	SCREW, #6-32, PHIL-SLOT (OPT -49)	BRASS	NICKEL PLATED
5	2(XX)	SCREW, #6-32, SLOTTED (OPT -45)	STEEL	ZN, CLEAR CHROMATE
4	2(XX)	SCREW, #6-32, PHIL-SLOT (STD)	STEEL	ZN, CLEAR CHROMATE
3	XX	TERMINAL (USE W/OPT -49 SCREW)	BRASS	TIN PLATED
2	XX	TERMINAL, PLATE	BRASS	NICKEL PLATED
1	1	INSULATOR, DOUBLE ROW	THERMOPLASTIC	BLACK

CHANGE DIM 'C' EC NO: ETC2007-0306 DRAWN: CLYORK 2007/03/26 CHKD: JMACNEIL 2007/04/03 APPR: JMACNEIL 2007/04/03	QUALITY SYMBOLS
	$\nabla=0$ $\nabla=0$
	DESCRIPTION
	REV

GENERAL TOLERANCES (UNLESS SPECIFIED) 4 PLACES \pm --- \pm --- 3 PLACES \pm --- \pm .005 2 PLACES \pm 0.13 \pm .01 1 PLACE \pm 0.3 \pm --- ANGULAR \pm 2° DRAFT WHERE APPLICABLE MUST REMAIN WITHIN DIMENSIONS	DIMENSION STYLE MM/IN DRAWN BY DATE W. HOWARD 08-28-03 CHECKED BY DATE R. KEMP 09-04-03 APPROVED BY DATE P. WALTZ 09-05-03 MATERIAL NO. SEE SHEET 2 SIZE B
	SCALE 1:1 DESIGN UNITS INCH THIRD ANGLE PROJECTION
	TITLE 11.11MM [.438] DR BTS, CB ASY
	MOLEX INCORPORATED DOCUMENT NO. SD-38780-001 SHEET NO. 1 OF 2

THIS DRAWING CONTAINS INFORMATION THAT IS PROPRIETARY TO MOLEX INCORPORATED AND SHOULD NOT BE USED WITHOUT WRITTEN PERMISSION	
---	--

(E)

NUMBER OF CIRCUITS "XX"	DIM. "A"		DIM. "B"		DIM. "C"		MATERIAL NO. (STD)	MATERIAL NO. (-45 OPT)	MATERIAL NO. (-49 OPT)	MATERIAL NO. (-50 OPT)	MATERIAL NO. (-10A IMP OPT)
02	41.3	[1.62]	11.11	[.438]	32.83	[1.293]	38780-0102		38780-0202	38780-0302	38780-0502
03	52.4	[2.06]	22.23	[.875]	43.94	[1.730]	38780-0103	38789-0206	38780-0203	38780-0303	38780-0503
04	63.5	[2.50]	33.34	[1.313]	55.05	[2.168]	38780-0104	38789-0207	38780-0204	38780-0304	38780-0504
05	74.6	[2.94]	44.45	[1.750]	66.17	[2.605]	38780-0105		38780-0205	38780-0305	38780-0505
06	85.7	[3.37]	55.56	[2.188]	77.28	[3.043]	38780-0106	38789-0209	38780-0206	38780-0306	38780-0506
07	96.8	[3.81]	66.68	[2.625]	88.39	[3.480]	38780-0107		38780-0207	38780-0307	38780-0507
08	107.9	[4.25]	77.79	[3.063]	99.50	[3.918]	38780-0108		38780-0208	38780-0308	38780-0508
09	119.0	[4.69]	88.90	[3.500]	110.62	[4.355]	38780-0109		38780-0209	38780-0309	38780-0509
10	130.2	[5.12]	100.01	[3.938]	121.73	[4.793]	38780-0110	38789-0211	38780-0210	38780-0310	38780-0510
11	141.3	[5.56]	111.13	[4.375]	132.84	[5.230]	38780-0111		38780-0211	38780-0311	38780-0511
12	152.4	[6.00]	122.24	[4.813]	143.95	[5.668]	38780-0112		38780-0212	38780-0312	38780-0512
13	163.5	[6.44]	133.35	[5.250]	155.07	[6.105]	38780-0113		38780-0213	38780-0313	38780-0513
14	174.6	[6.87]	144.46	[5.688]	166.18	[6.543]	38780-0114		38780-0214	38780-0314	38780-0514
15	185.7	[7.31]	155.58	[6.125]	177.29	[6.980]	38780-0115		38780-0215	38780-0315	38780-0515
16	196.8	[7.75]	166.69	[6.563]	188.40	[7.418]	38780-0116	38789-0212	38780-0216	38780-0316	38780-0516
17	207.9	[8.19]	177.80	[7.000]	199.52	[7.855]	38780-0117		38780-0217	38780-0317	38780-0517
18	219.1	[8.62]	188.91	[7.438]	210.63	[8.293]	38780-0118		38780-0218	38780-0318	38780-0518
19	230.2	[9.06]	200.03	[7.875]	221.74	[8.730]	38780-0119		38780-0219	38780-0319	38780-0519
20	241.3	[9.50]	211.14	[8.313]	232.85	[9.168]	38780-0120		38780-0220	38780-0320	38780-0520
21	252.4	[9.94]	222.25	[8.750]	243.97	[9.605]	38780-0121		38780-0221	38780-0321	38780-0521
22	263.5	[10.37]	233.36	[9.188]	255.08	[10.043]	38780-0122		38780-0222	38780-0322	38780-0522
23	274.6	[10.81]	244.48	[9.625]	266.19	[10.480]	38780-0123		38780-0223	38780-0323	38780-0523
24	285.7	[11.25]	255.59	[10.063]	277.30	[10.918]	38780-0124		38780-0224	38780-0324	38780-0524
25	296.8	[11.69]	266.70	[10.500]	288.42	[11.355]	38780-0125		38780-0225	38780-0325	38780-0525
26	308.0	[12.12]	277.81	[10.938]	299.53	[11.793]	38780-0126		38780-0226	38780-0326	38780-0526
27	319.1	[12.56]	288.93	[11.375]	310.64	[12.230]	38780-0127		38780-0227	38780-0327	38780-0527
28	330.2	[13.00]	300.04	[11.813]	321.75	[12.668]	38780-0128		38780-0228	38780-0328	38780-0528
29	341.3	[13.44]	311.15	[12.250]	332.87	[13.105]	38780-0129		38780-0229	38780-0329	38780-0529
30	352.4	[13.87]	322.26	[12.688]	343.98	[13.543]	38780-0130		38780-0230	38780-0330	38780-0530

SEE SHEET 1 EC NO: ETC2007-0306 DRAWN: CLYORK 2007/03/26 CHKD: JMAGNEIL 2007/04/03 APPR: JMAGNEIL 2007/04/03	DESCRIPTION REV	QUALITY SYMBOLS ▽=0 ▽=0	GENERAL TOLERANCES (UNLESS SPECIFIED) mm INCH 4 PLACES ± --- ± --- 3 PLACES ± --- ± .005 2 PLACES ± 0.13 ± .01 1 PLACE ± 0.3 ± --- ANGULAR ± 2°	DIMENSION STYLE MM/IN DRAWN BY DATE W. HOWARD 08-28-03 CHECKED BY DATE R. KEMP 09-04-03 APPROVED BY DATE P. WALTZ 09-05-03	SCALE 1:1 DESIGN UNITS INCH THIRD ANGLE PROJECTION	TITLE 11.11MM [.438] DR BTS, CB ASY
		DRAFT WHERE APPLICABLE MUST REMAIN WITHIN DIMENSIONS		MATERIAL NO. SEE CHART	MOLEX INCORPORATED	
		DOCUMENT NO. SD-38780-001		SHEET NO. 2 OF 2		
		THIS DRAWING CONTAINS INFORMATION THAT IS PROPRIETARY TO MOLEX INCORPORATED AND SHOULD NOT BE USED WITHOUT WRITTEN PERMISSION				