



Chipsmall Limited consists of a professional team with an average of over 10 year of expertise in the distribution of electronic components. Based in Hongkong, we have already established firm and mutual-benefit business relationships with customers from,Europe,America and south Asia,supplying obsolete and hard-to-find components to meet their specific needs.

With the principle of “Quality Parts,Customers Priority,Honest Operation,and Considerate Service”,our business mainly focus on the distribution of electronic components. Line cards we deal with include Microchip,ALPS,ROHM,Xilinx,Pulse,ON,Everlight and Freescale. Main products comprise IC,Modules,Potentiometer,IC Socket,Relay,Connector.Our parts cover such applications as commercial,industrial, and automotives areas.

We are looking forward to setting up business relationship with you and hope to provide you with the best service and solution. Let us make a better world for our industry!



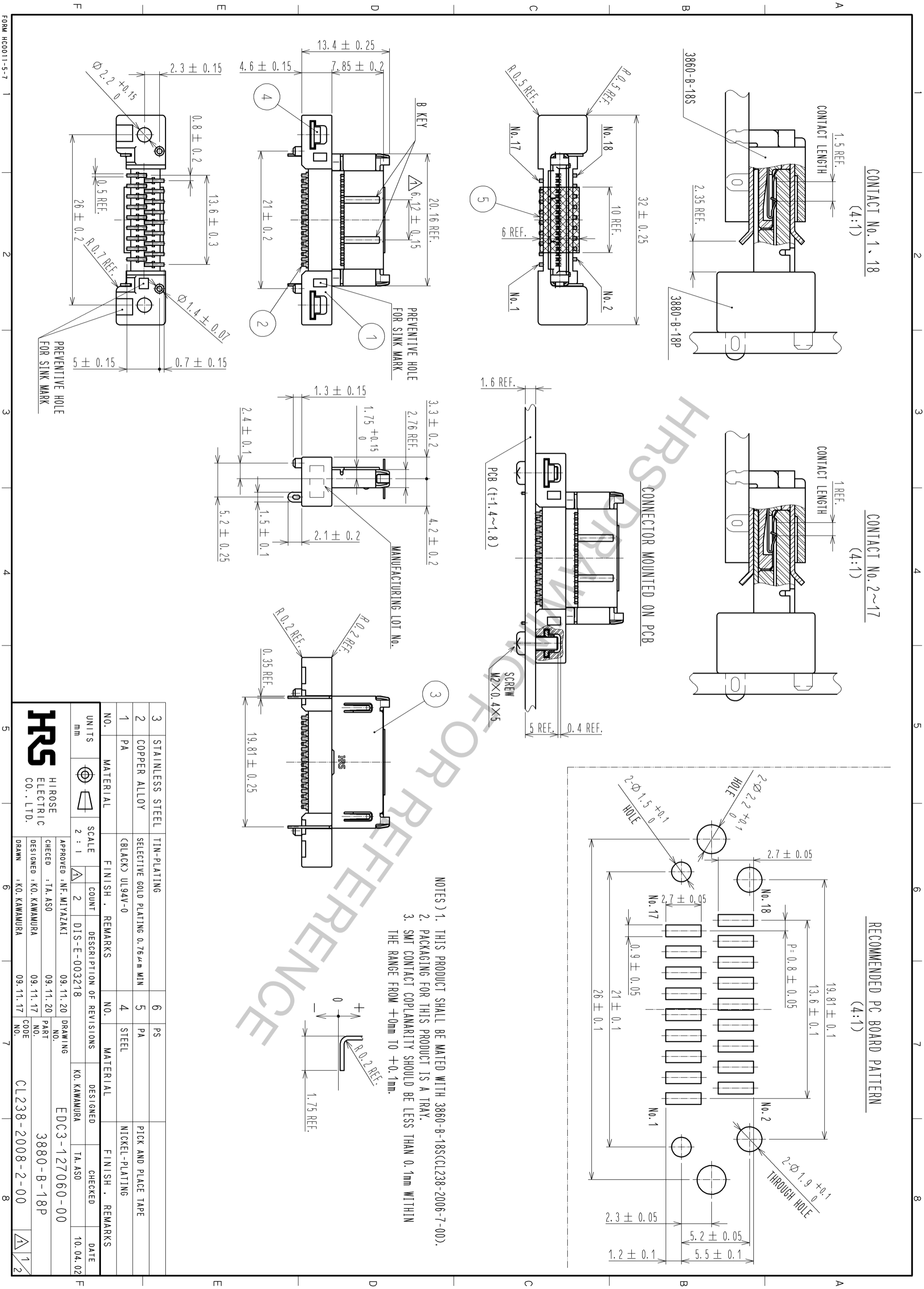
Contact us

Tel: +86-755-8981 8866 Fax: +86-755-8427 6832

Email & Skype: info@chipsmall.com Web: www.chipsmall.com

Address: A1208, Overseas Decoration Building, #122 Zhenhua RD., Futian, Shenzhen, China





CONTACT No. 1, 18
(4:1)

CONTACT No. 2~17
(4:1)

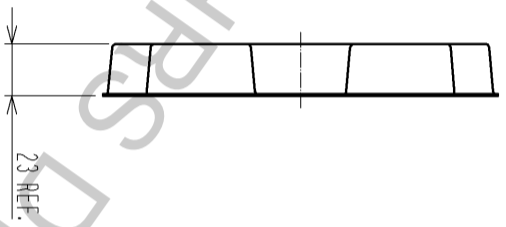
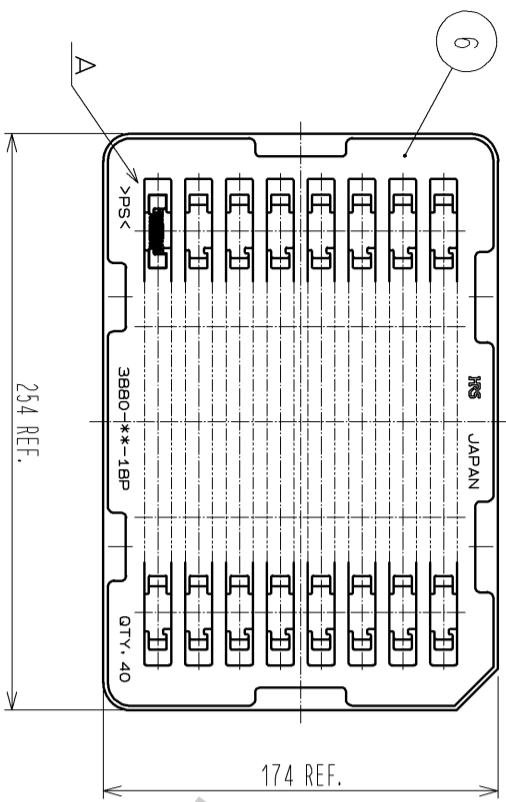
RECOMMENDED PC BOARD PATTERN
(4:1)

- NOTES) 1. THIS PRODUCT SHALL BE MATED WITH 3860-B-18S(CL238-2006-7-00).
 2. PACKAGING FOR THIS PRODUCT IS A TRAY.
 3. SMT CONTACT COPLANARITY SHOULD BE LESS THAN 0.1mm WITHIN THE RANGE FROM +0mm TO +0.1mm.

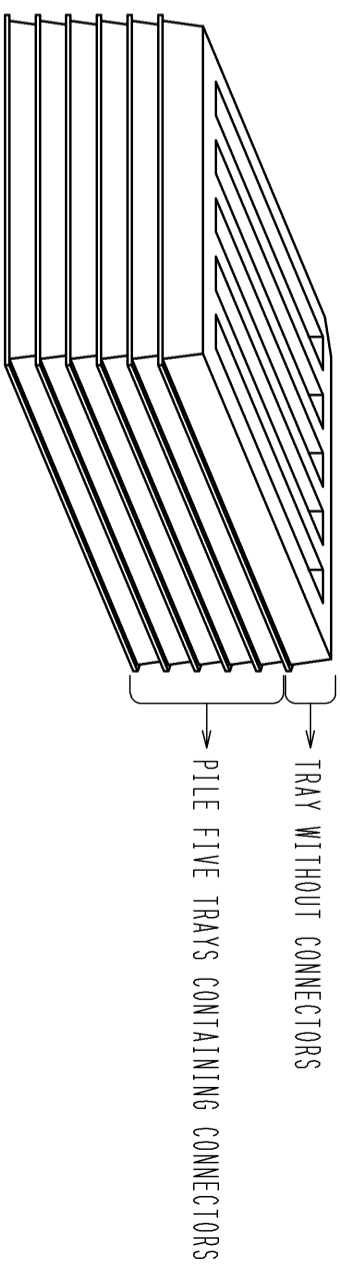
3	STAINLESS STEEL	TIN-PLATING	6	PS	
2	COPPER ALLOY	SELECTIVE GOLD PLATING 0.76 μ m MIN	5	PA	PICK AND PLACE TAPE
1	PA	(BLACK) UL94V-0	4	STEEL	NICKEL-PLATING
MATERIAL		FINISH	REMARKS	NO.	MATERIAL
UNITS		SCALE	COUNT	DESCRIPTION OF REVISIONS	DESIGNED
mm		2 : 1	2	DIS-E-003218	TA.ASO
APPROVED : NF.MIYAZAKI		09.11.20	DRAWING	EDC3-127060-00	CHECKED
CHECKED : TA.ASO		09.11.20	PART	3880-B-18P	DATE
DESIGNED : KO.KAWAMURA		09.11.17	NO.		10.04.02
DRAWN : KO.KAWAMURA		09.11.17	NO.		
HRS		HIROSE ELECTRIC CO., LTD.	CL238-2008-2-00		

FORM HC0011-5-7

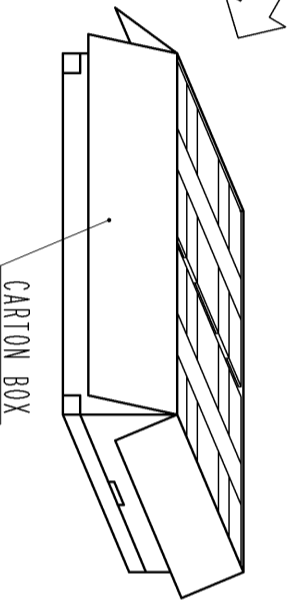
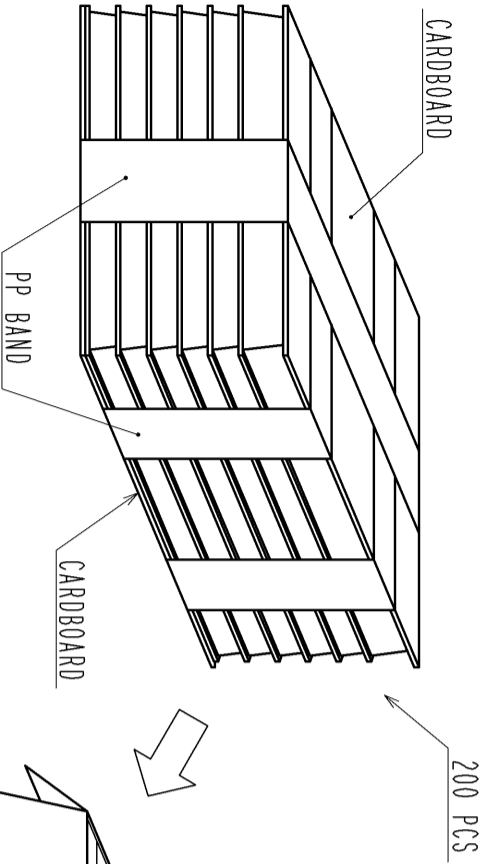
1. PUT CONNECTORS (40 PCS MAX) INTO THE DEDICATED TRAY.



2. PILE FIVE TRAYS CONTAINING CONNECTORS, AND THEN PUT ONE TRAY WITHOUT CONNECTORS ON TOP AS A LID.



3. SANDWICH THE TRAYS BETWEEN THE CARDBOARD, BUNDLE THEM WITH PP BAND OR THE SIMILAR, THEN PUT BUNDLES INTO THE CARTON BOX IN TWO ROWS.



4. CLOSE THE CARTON BOX AND SEAL WITH A TAPE

