



Chipsmall Limited consists of a professional team with an average of over 10 year of expertise in the distribution of electronic components. Based in Hongkong, we have already established firm and mutual-benefit business relationships with customers from,Europe,America and south Asia,supplying obsolete and hard-to-find components to meet their specific needs.

With the principle of “Quality Parts,Customers Priority,Honest Operation,and Considerate Service”,our business mainly focus on the distribution of electronic components. Line cards we deal with include Microchip,ALPS,ROHM,Xilinx,Pulse,ON,Everlight and Freescale. Main products comprise IC,Modules,Potentiometer,IC Socket,Relay,Connector.Our parts cover such applications as commercial,industrial, and automotives areas.

We are looking forward to setting up business relationship with you and hope to provide you with the best service and solution. Let us make a better world for our industry!



## Contact us

Tel: +86-755-8981 8866 Fax: +86-755-8427 6832

Email & Skype: info@chipsmall.com Web: www.chipsmall.com

Address: A1208, Overseas Decoration Building, #122 Zhenhua RD., Futian, Shenzhen, China



## SERIES 38C Miniature Pushbutton Switches

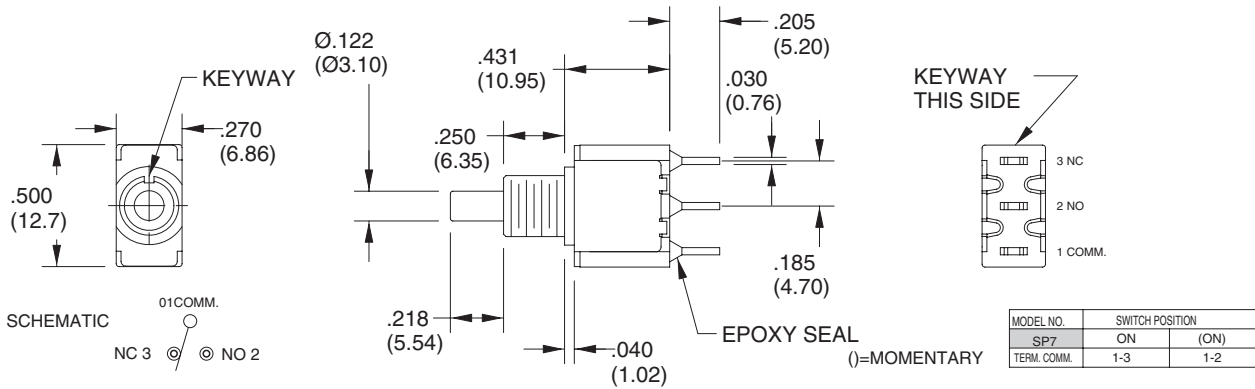
### FEATURES

- SPDT and DPDT Circuitry
- Choice of Bushings, and Terminations
- Caps and Frames Available
- UL Recognized

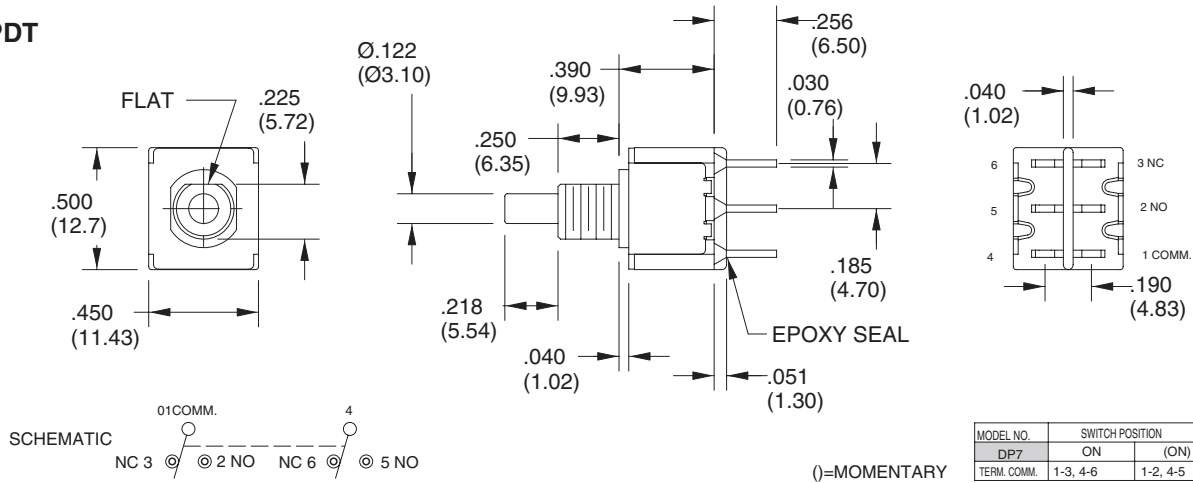


### DIMENSIONS in inches (and millimeters)

#### SPDT

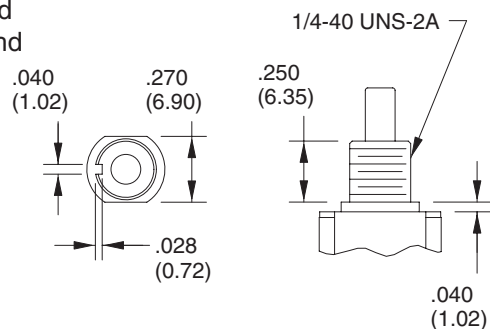


#### DPDT

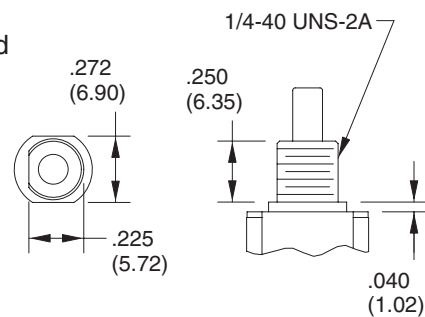


### BUSHING OPTIONS in inches (and millimeters)

**B10** Thd Std  
**B20** Non-Thd



**B11** Thd Std  
**B21** Non-Thd



**TERMINATION OPTIONS** in inches (and millimeters)

<p><b>M1 Solder Lug (Std)</b></p> <p>THK. .030 (0.76)</p>	<p><b>M2 P. C. Mount</b></p> <p>THK. .030 (0.76)</p>	<p><b>M3 P. C. Mount, Quick Connect</b></p> <p>.030 (0.76) THK.</p>	<p><b>WX Wire Wrap</b></p> <table border="1"> <thead> <tr> <th>OPTION CODE</th> <th>DIM. "A"</th> </tr> </thead> <tbody> <tr> <td>W1</td> <td>.750(19.05)</td> </tr> <tr> <td>W2</td> <td>.964(24.48)</td> </tr> <tr> <td>W3</td> <td>.425(10.80)</td> </tr> <tr> <td>W4</td> <td>1.062(26.97)</td> </tr> </tbody> </table>	OPTION CODE	DIM. "A"	W1	.750(19.05)	W2	.964(24.48)	W3	.425(10.80)	W4	1.062(26.97)
OPTION CODE	DIM. "A"												
W1	.750(19.05)												
W2	.964(24.48)												
W3	.425(10.80)												
W4	1.062(26.97)												
<p><b>M6 Right Angle P. C. Mount, Horizontal</b></p>													
<p><b>SPDT</b></p> <p><b>DPDT</b></p>			<p><b>P.C. MOUNTING</b></p> <p><b>P.C. MOUNTING</b></p>										
<p><b>M7 Right Angle P.C. Mount, Vertical</b></p>													
<p><b>SPDT</b></p>			<p><b>P.C. MOUNTING</b></p> <p><b>P.C. MOUNTING</b></p>										

Pushbutton Switches



## TERMINATION OPTIONS (CONT.) in inches (and millimeters)

**M7 DPDT**

Dimensions: .450 (11.43), .500 (12.70), .125 (3.17), .050 (1.27), .185 (4.70), Ø.122 (Ø3.10), .202 (5.12), .125 (3.18), .296 (7.53), .500 (12.7), .150 (3.81), .030 (0.76), .048 (1.22), .200 (5.08), .150 (3.81), .185 (4.70), .500 (12.7), .200 (5.08), Ø.073 (Ø1.85). Labels: EPOXY SEAL, P.C. MOUNTING.

**V2-V3 Vertical Bracket, P.C. Mount**

**SPDT**

OPTION CODE	DIM."A"
V2	.460 (11.68)
V3	.630 (16.00)

Dimensions: Ø.122 (Ø3.10), DIM."A", .290 (7.37), .202 (5.12), .048 (1.22), .185 (4.70), .020 (0.51), .030 (0.76), .185 (4.70), .620 (15.75), .125 (3.18), .185 (4.70), Ø.073 (Ø1.85). Labels: EPOXY SEAL, P.C. MOUNTING.

**DPDT**

Dimensions: Ø.122 (Ø3.10), .460 (11.68), .450 (11.43), .290 (7.37), .202 (5.12), .048 (1.22), .185 (4.70), .020 (0.51), .030 (0.76), .185 (4.70), .620 (15.75), .125 (3.18), .185 (4.70), Ø.073 (Ø1.85). Labels: EPOXY SEAL, P.C. MOUNTING.

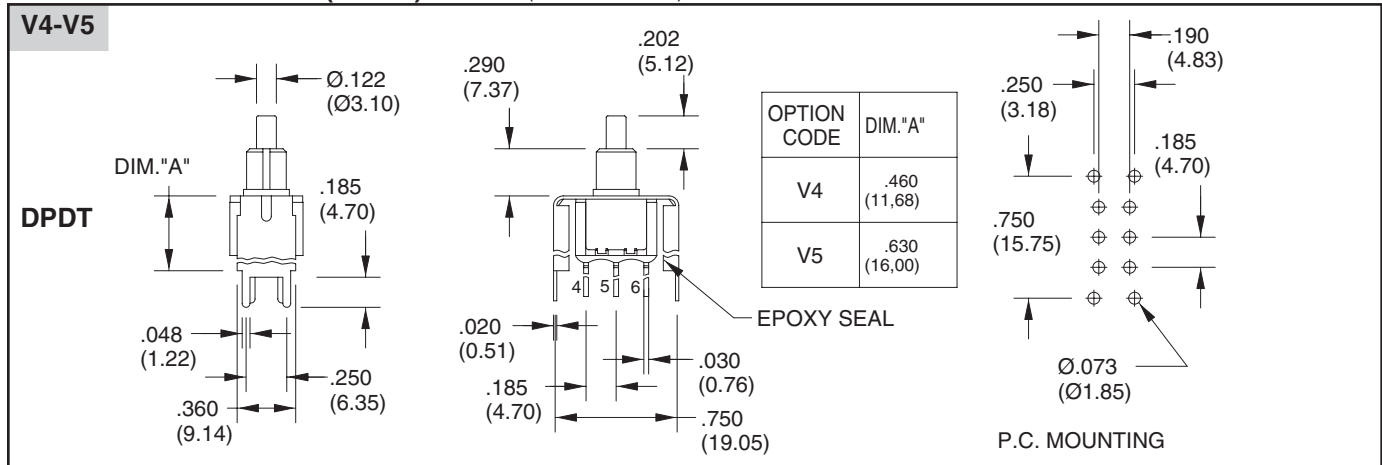
**V4-V5 Vertical Bracket, P.C. Mount**

**SPDT**

OPTION CODE	DIM."A"
V4	.460 (11.68)
V5	.630 (16.00)

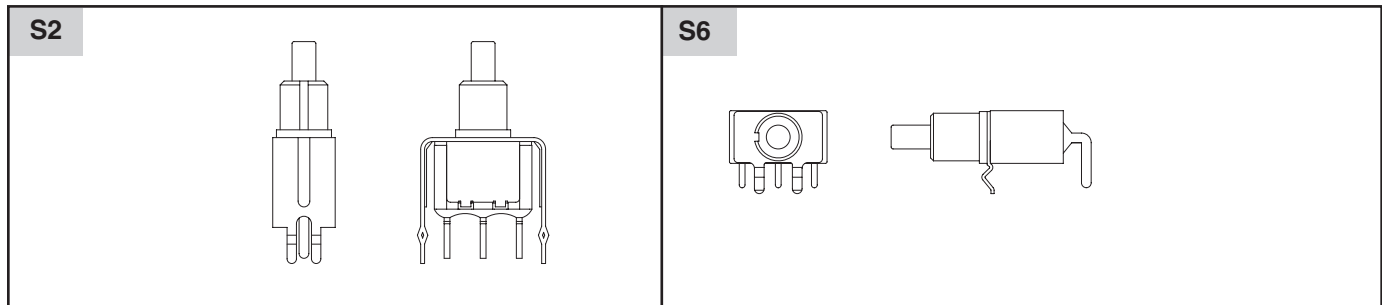
Dimensions: Ø.122 (Ø3.10), DIM."A", .290 (7.37), .202 (5.12), .185 (4.70), .048 (1.22), .250 (6.35), .020 (0.51), .030 (0.76), .185 (4.70), .750 (19.05), .250 (3.18), .185 (4.70), .750 (15.75), Ø.073 (Ø1.85). Labels: EPOXY SEAL, P.C. MOUNTING.

**TERMINATION OPTIONS (CONT.)** in inches (and millimeters)



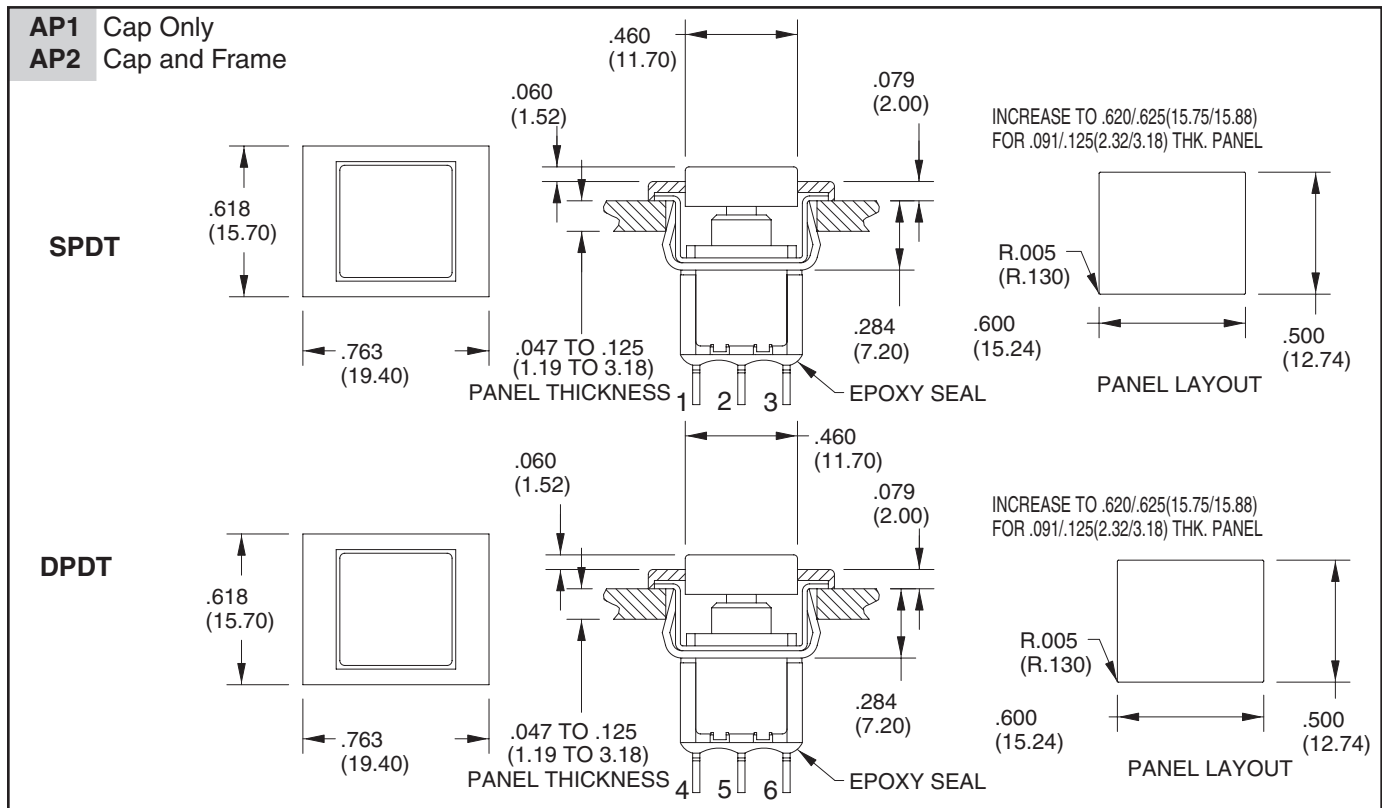
**Snap-in Termination Options**

(Snap-in termination options have the same PC layout as M2, M6 and M7 options)



**BUSHING OPTIONS** in inches (and millimeters)

FOR PANEL MOUNTING

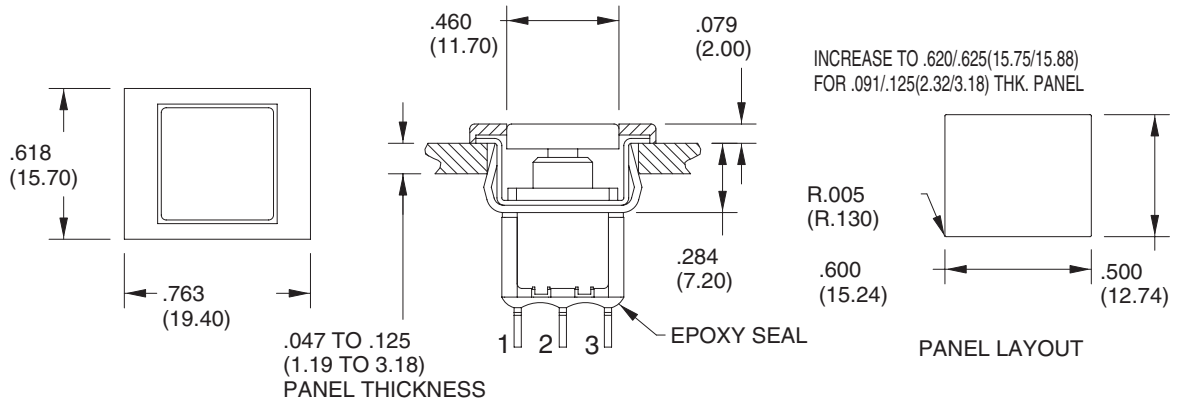


Pushbutton Switches

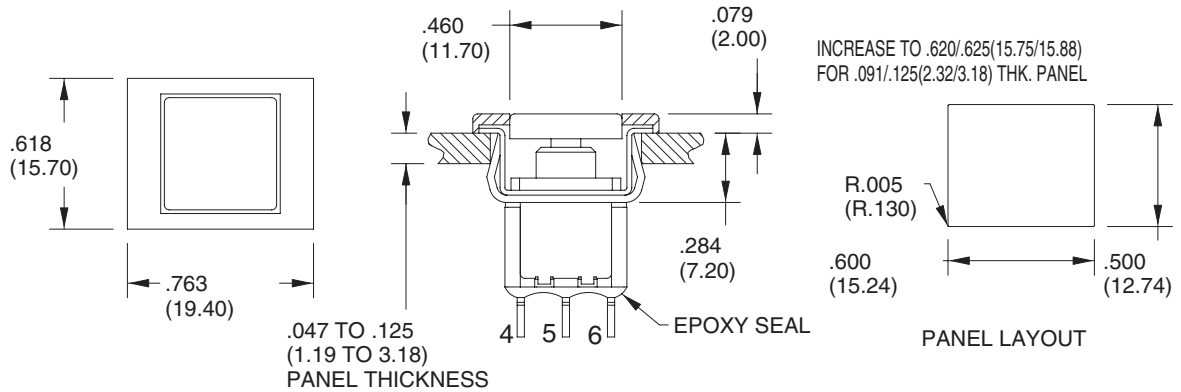
## BUSHING OPTIONS in inches (and millimeters) FOR PANEL MOUNTING

- AP3** Cap Only
- AP4** Cap and Frame

### SPDT



### DPDT



## SPECIFICATIONS

### RATINGS

**Contact Rating:** Q & G option - 3A with resistive load @ 125 VAC or 28 VDC; 1.5A with resistive load @ 250 VAC. R option - 0.4 VA max @ 20 Vmax (AC or DC)

**Electrical Life:** 50,000 make-and-break cycles at full load

**Travel:** .050 ± .010

**Contact Resistance:** 20 milliohms max. initial @ 2-4 VDC, 100 mA

**Insulation Resistance:** 1,000 megaohms minimum

**Dielectric Strength:** 1,000 V RMS @ sea level

**Operating Temperature:** -30°C to 85°C

### MATERIALS

**Case:** Diallyl phthalate (DAP) (UL94V-0)

**Plunger:** Glass filled nylon or glass filled polyester

**Bushing:** Brass, nickel plated

**Housing:** Stainless steel

**Terminal/Switch Support:** Brass, electrotin plated

**Terminal Seal:** Epoxy

## ORDERING INFORMATION

SERIES	MODEL NO.	PLUNGER	BUSHING	TERMINATION	CONTACT	ROHS
<b>38C</b>	<b>SP7</b>		<b>B10</b>	<b>M1</b>	<b>Q</b>	<b>T</b>
38C = Miniature Pushbutton Switches	Options: SP7, DP7 (see models for switching positions)	Options: Blank=std as shown in dwg 0 = 0.0 (Flush) 1 = .205 (5.02) 2 = .079 (2.00)	Options: AP1, AP2, AP3, AP4, B10, B11, B21, B21 (see bushing options)	Options: M1, M2, M3, M6, M7, S2, S6, V2, V3, V4, V5, W1, W2, W3, W4 (see termination options)	R = Copper alloy, gold plate over nickel plate.  Q = Copper alloy, silver plated  G=Gold plate over silver plate	T = Lead Free and RoHS Compliant