



Chipsmall Limited consists of a professional team with an average of over 10 year of expertise in the distribution of electronic components. Based in Hongkong, we have already established firm and mutual-benefit business relationships with customers from,Europe,America and south Asia,supplying obsolete and hard-to-find components to meet their specific needs.

With the principle of “Quality Parts,Customers Priority,Honest Operation,and Considerate Service”,our business mainly focus on the distribution of electronic components. Line cards we deal with include Microchip,ALPS,ROHM,Xilinx,Pulse,ON,Everlight and Freescale. Main products comprise IC,Modules,Potentiometer,IC Socket,Relay,Connector.Our parts cover such applications as commercial,industrial, and automotives areas.

We are looking forward to setting up business relationship with you and hope to provide you with the best service and solution. Let us make a better world for our industry!



Contact us

Tel: +86-755-8981 8866 Fax: +86-755-8427 6832

Email & Skype: info@chipsmall.com Web: www.chipsmall.com

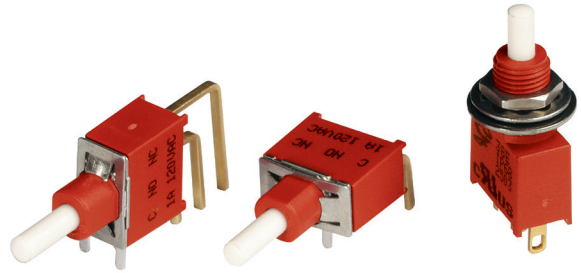
Address: A1208, Overseas Decoration Building, #122 Zhenhua RD., Futian, Shenzhen, China



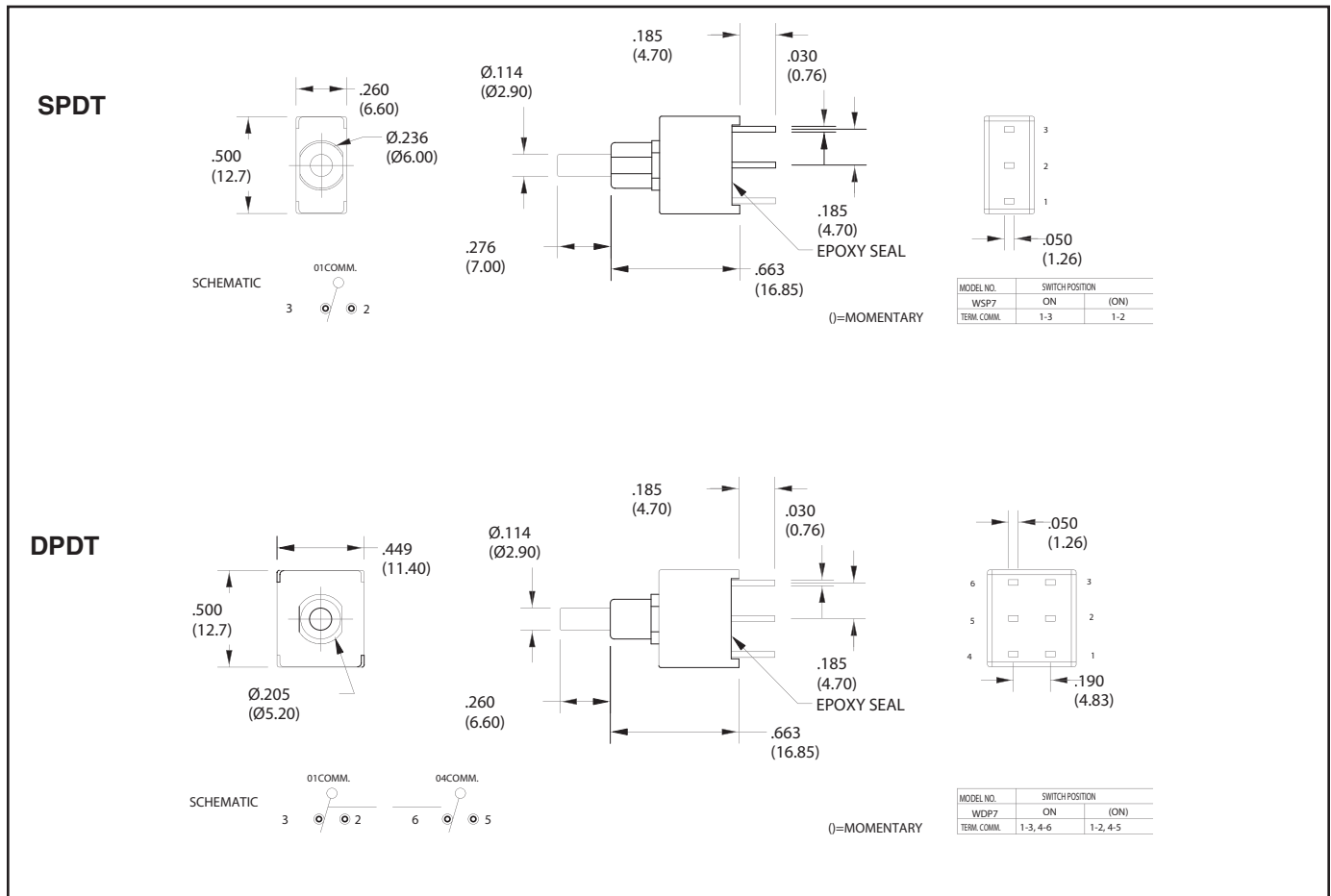
SERIES 38E Sealed Snap Action Miniature Pushbutton Switches

FEATURES

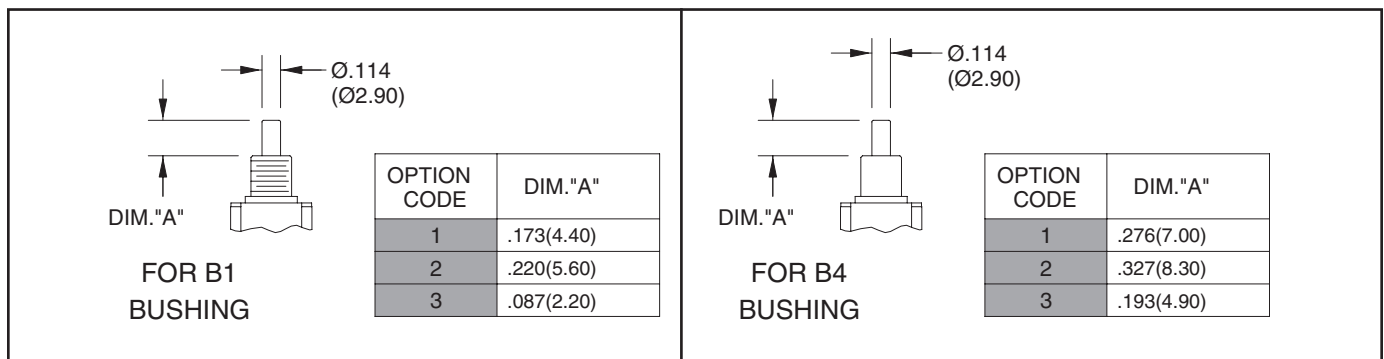
- SPDT and DPDT Circuitry
- Choice of Bushings, and Terminations
- UL Recognized
- IP-68 Degree of Protection
- RoHS Compliant



DIMENSIONS in inches (and millimeters)

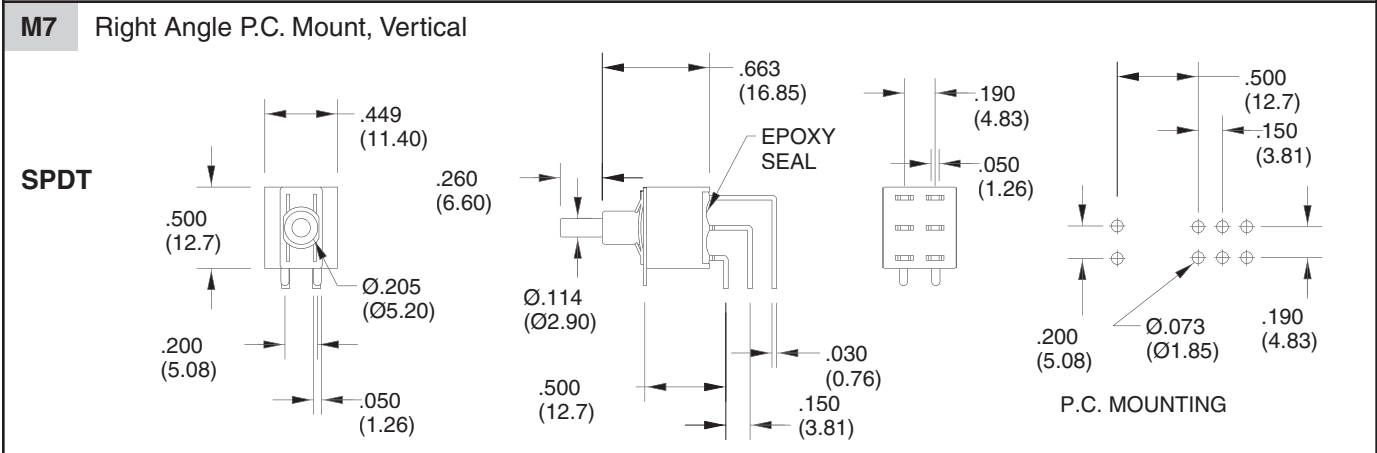
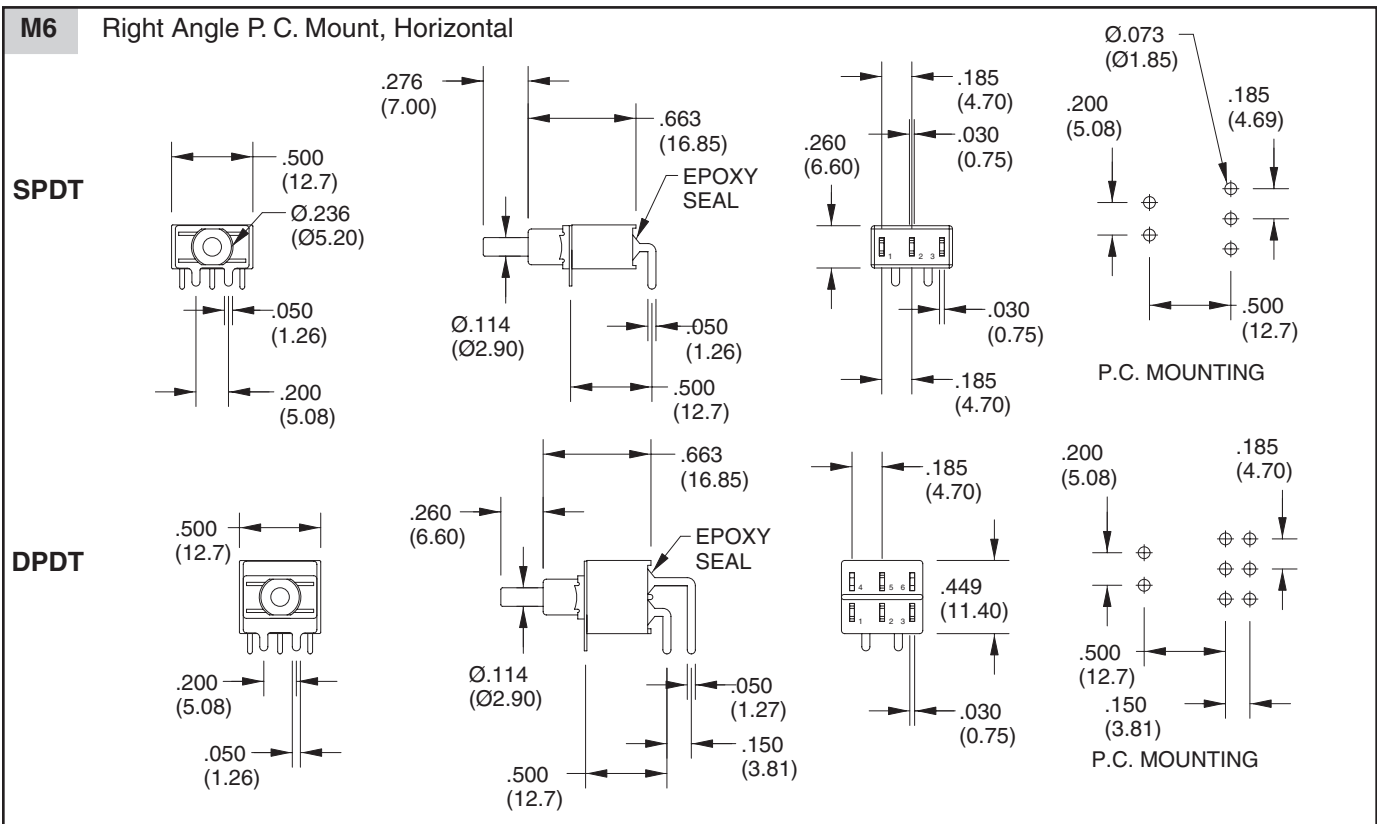
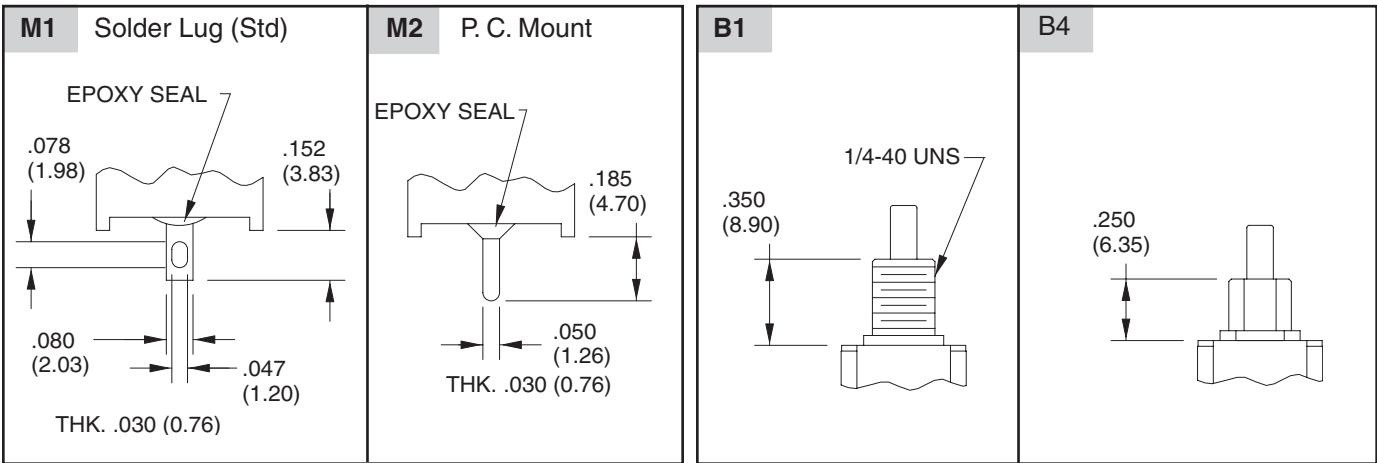


PLUNGER OPTIONS in inches (and millimeters)



BUSHING OPTIONS in inches (and millimeters)

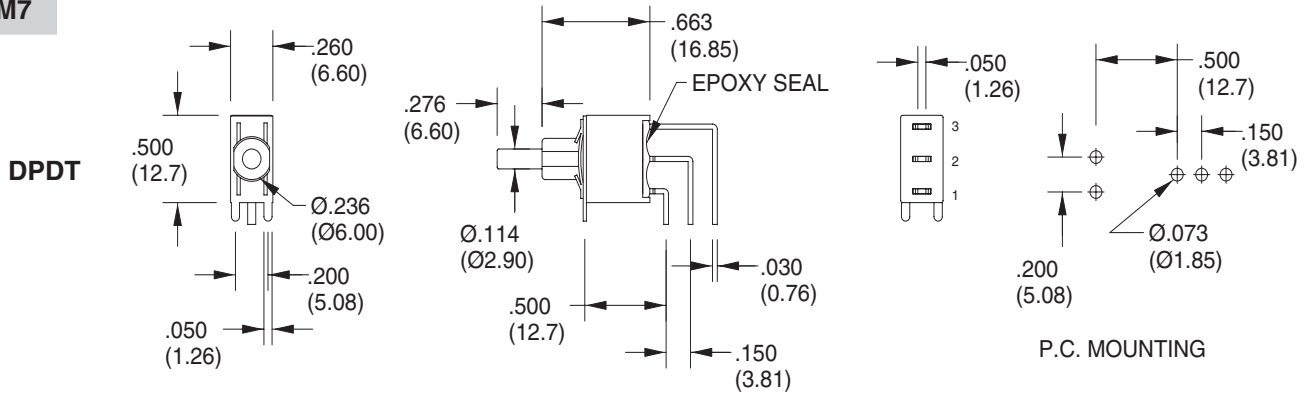
TERMINATION OPTIONS in inches (and millimeters)



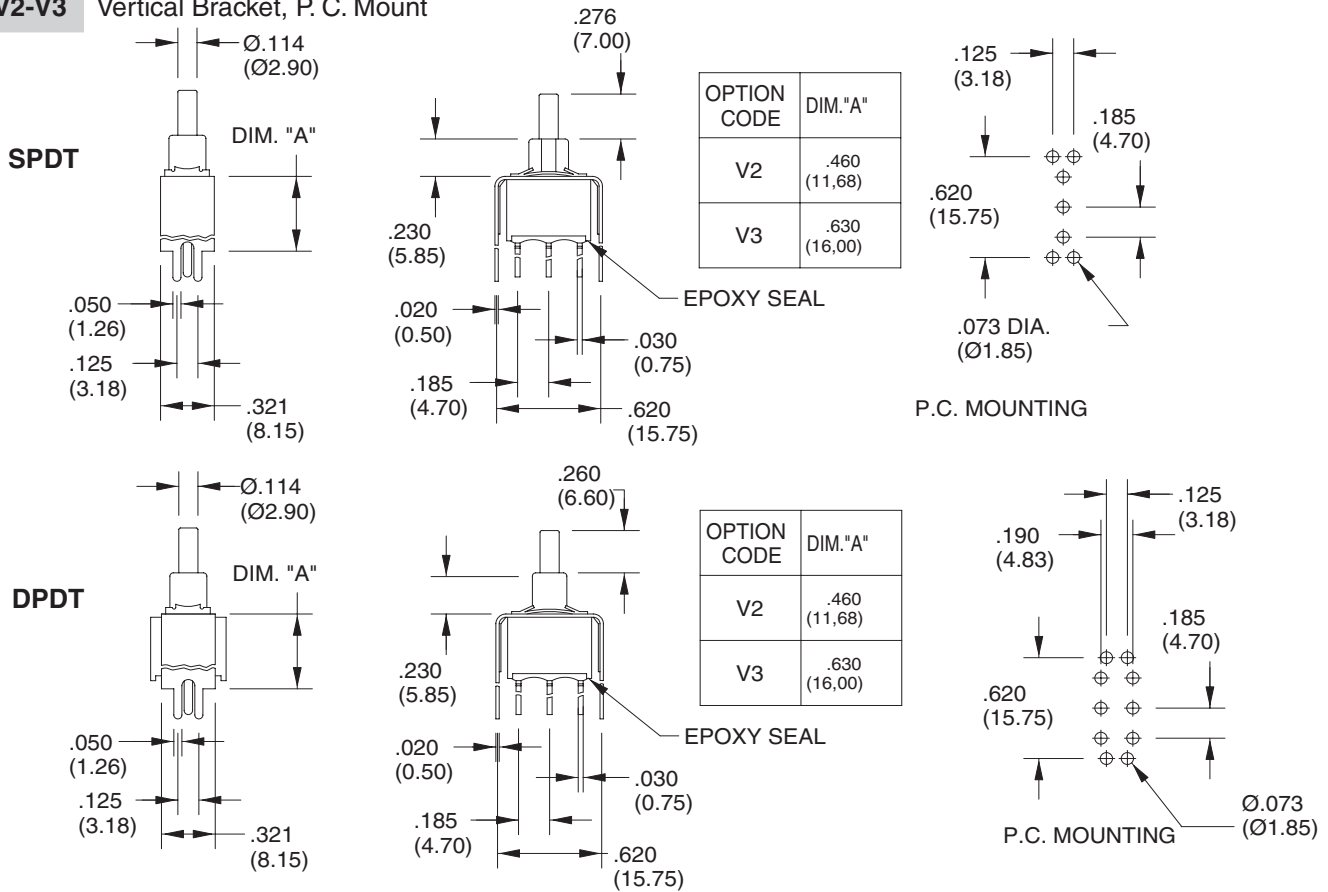
Pushbutton Switches

TERMINATION OPTIONS (CONT.) in inches (and millimeters)

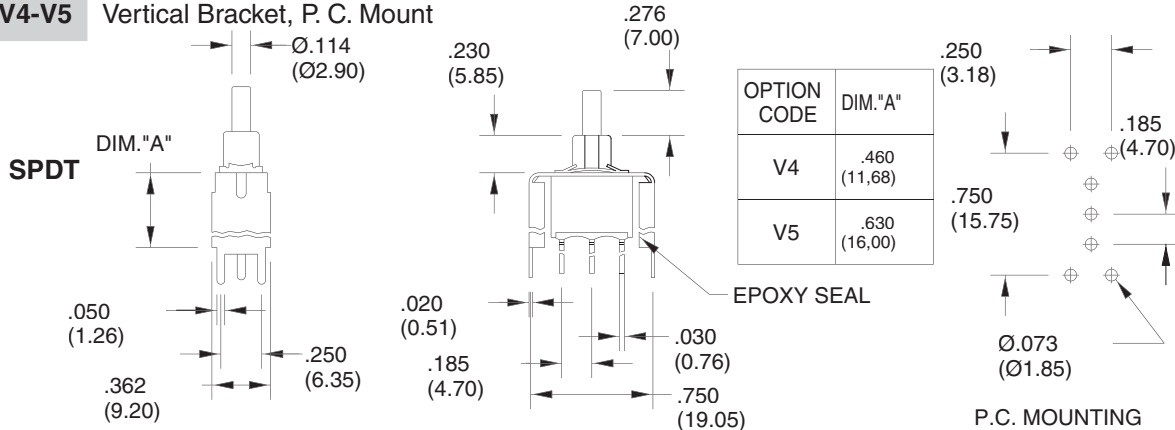
M7



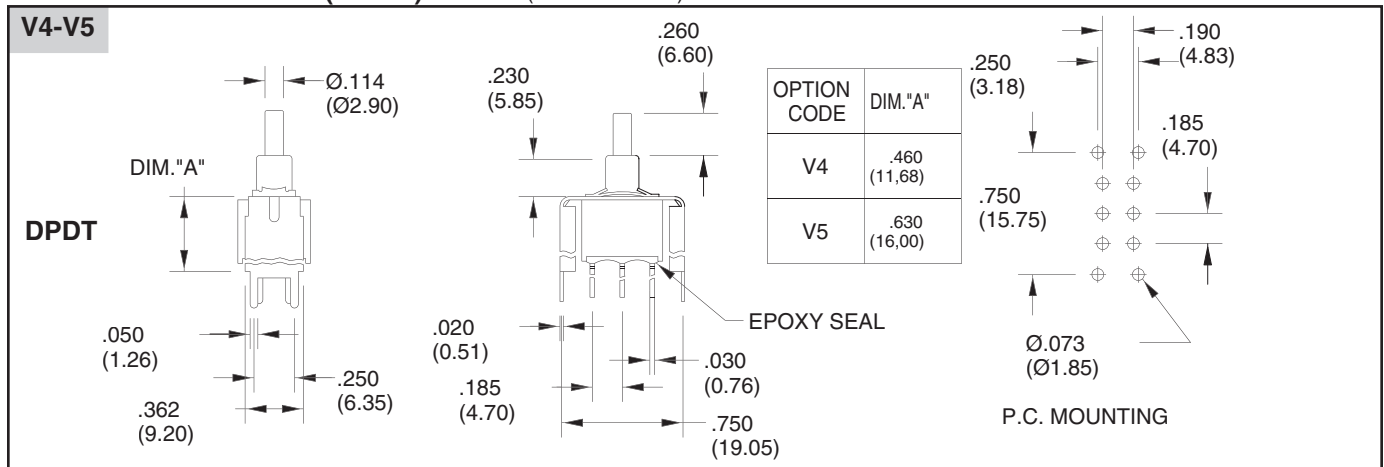
V2-V3 Vertical Bracket, P. C. Mount



V4-V5 Vertical Bracket, P. C. Mount

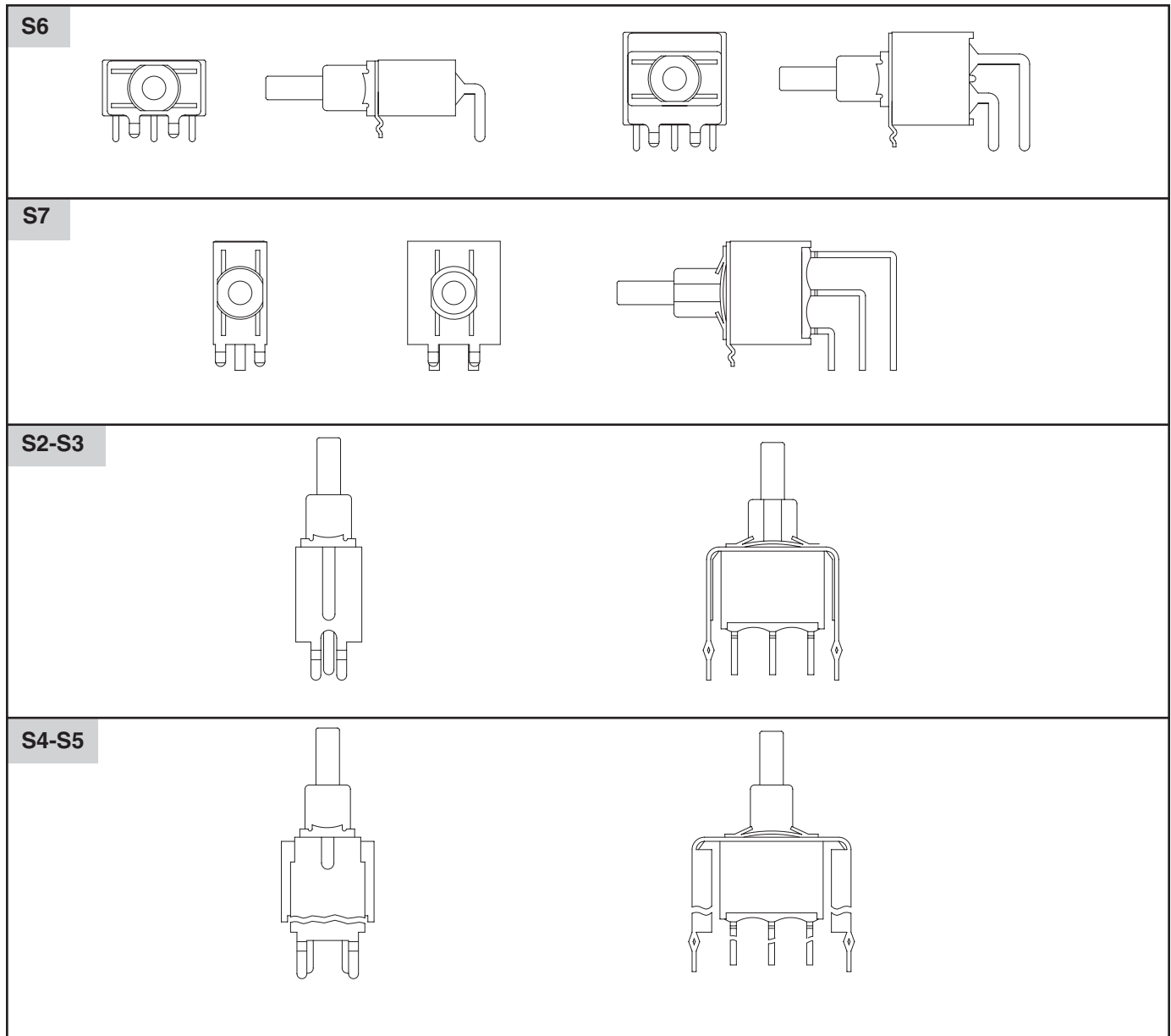


TERMINATION OPTIONS (CONT.) in inches (and millimeters)



Snap-in Termination Options

(Snap-in termination options have the same PC layout as M2, M6 and M7 options)



Pushbutton Switches

SPECIFICATIONS

RATINGS

Contact Rating: Q & G option - 1A with resistive load @ 125 VAC or 28 VDC.
 R option - 0.4 VA max @ 20 Vmax (AC or DC)
Electrical Life: 50,000 make-and-break cycles at full load
Travel: .040 ± .010

Contact Resistance: 10 milliohms max. initial @ 2-4 VDC, 100 mA
Insulation Resistance: 1,000 megaohms minimum
Dielectric Strength: 1,500 V RMS @ sea level
Operating Temperature: -30°C to 85°C

MATERIALS

Case: Glass filled Nylon 6/6 (UL94V-0)
Plunger: Glass filled nylon or glass filled polyester
Bushing: Brass, nickel plated
Housing: Stainless steel
Terminal/Switch Support: Brass or steel, electrotin plated
Terminal Seal: Epoxy

ORDERING INFORMATION

SERIES	MODEL NO.	PLUNGER	BUSHING	TERMINATION	CONTACT	ROHS
38E	WSP7	1	B1	M1	Q	T
38E = Sealed Snap Action Pushbutton Switches	Options: WSP7, WDP7 (see models for switching positions)	Options: 1, 2, 3 (see plunger options)	Options: B1, B4 (see bushing options)	Options: M1, M2, M6, M7, S2, S3, S4, S5, S6, S7 V2, V3, V4, V5, (see termination options)	R = Copper alloy, gold plate over nickel plate. Q = Copper alloy, silver plated G=Gold plate over silver plate	T = Lead Free and RoHS Compliant

Pushbutton Switches