



Chipsmall Limited consists of a professional team with an average of over 10 year of expertise in the distribution of electronic components. Based in Hongkong, we have already established firm and mutual-benefit business relationships with customers from,Europe,America and south Asia,supplying obsolete and hard-to-find components to meet their specific needs.

With the principle of “Quality Parts,Customers Priority,Honest Operation,and Considerate Service”,our business mainly focus on the distribution of electronic components. Line cards we deal with include Microchip,ALPS,ROHM,Xilinx,Pulse,ON,Everlight and Freescale. Main products comprise IC,Modules,Potentiometer,IC Socket,Relay,Connector.Our parts cover such applications as commercial,industrial, and automotives areas.

We are looking forward to setting up business relationship with you and hope to provide you with the best service and solution. Let us make a better world for our industry!



## Contact us

Tel: +86-755-8981 8866 Fax: +86-755-8427 6832

Email & Skype: info@chipsmall.com Web: www.chipsmall.com

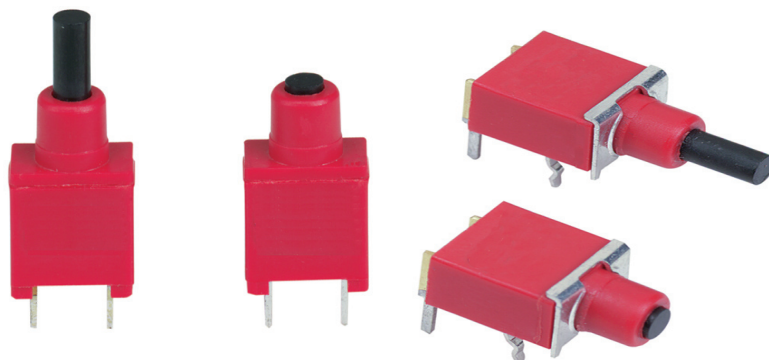
Address: A1208, Overseas Decoration Building, #122 Zhenhua RD., Futian, Shenzhen, China



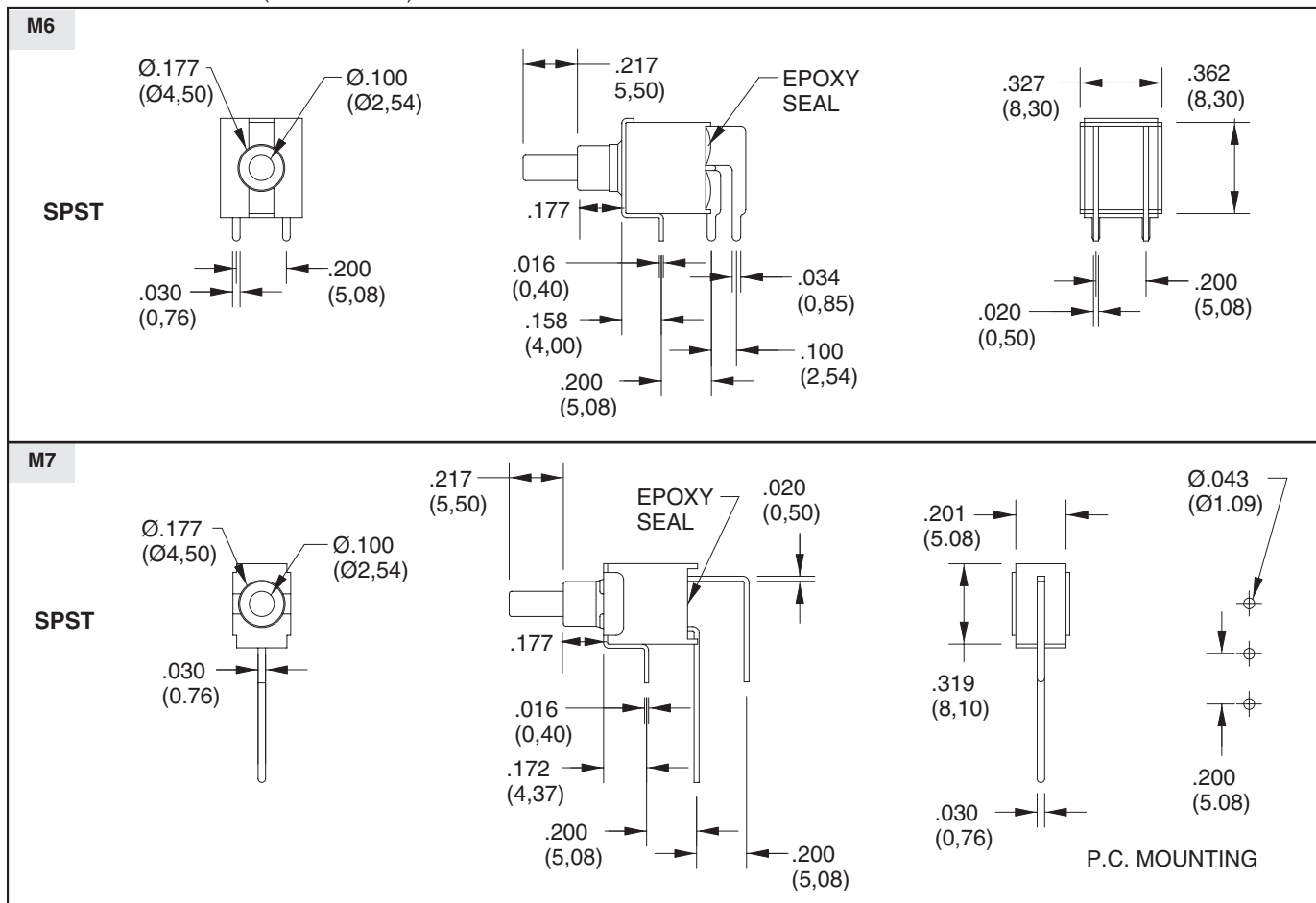
**SERIES 38G**  
**Sealed Subminiature**  
**Pushbutton Switches**

**FEATURES**

- Drop-In Replacement for Industry Standard
- Choice of Terminations
- Printed Circuit Board Mount
- SPST, DPST and SPDT Momentary Contact
- Sealed Per IP67



**DIMENSIONS** in inches (and millimeters)

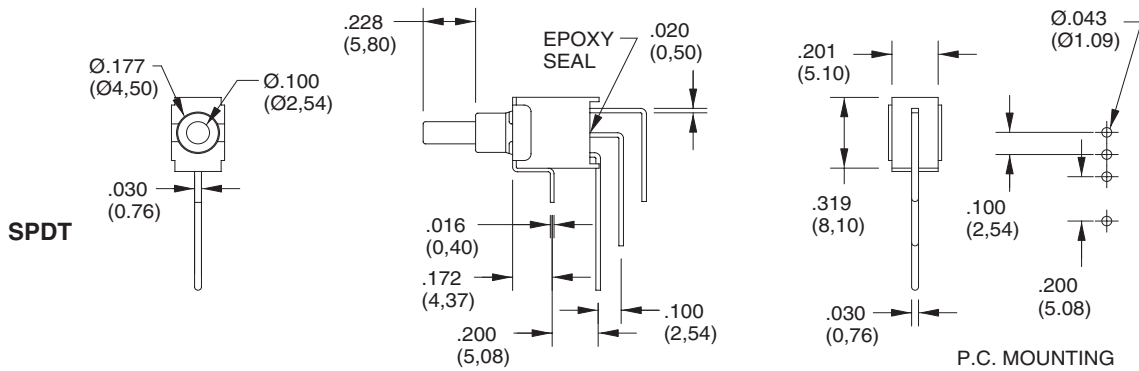
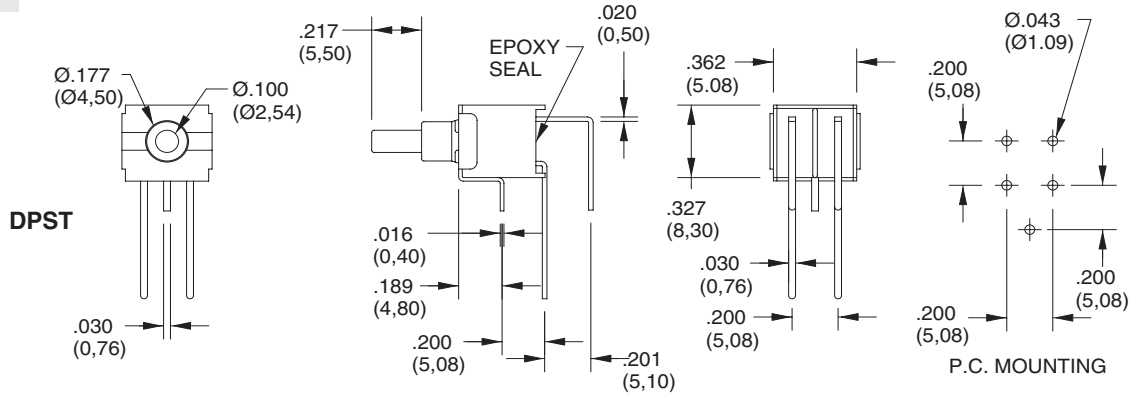


Pushbutton Switches

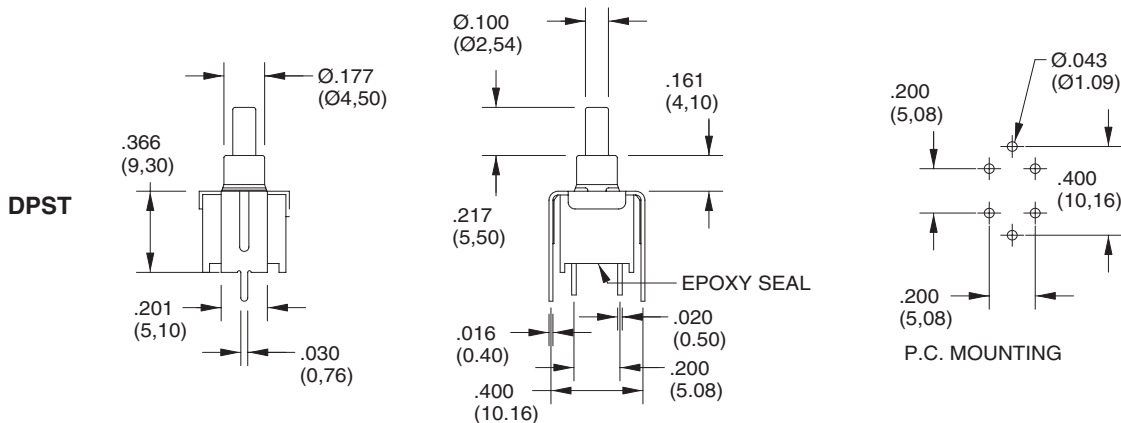
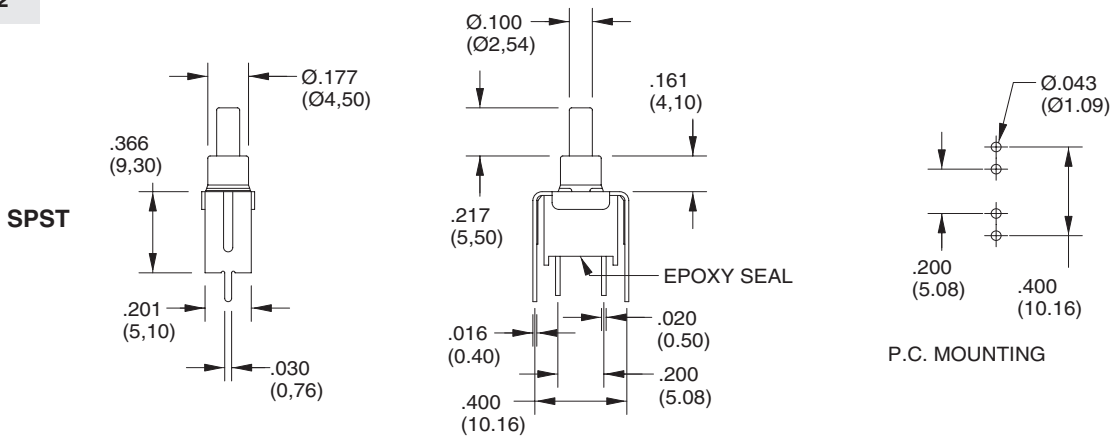
**SERIES 38G**

**DIMENSIONS** in inches (and millimeters)

**M7**

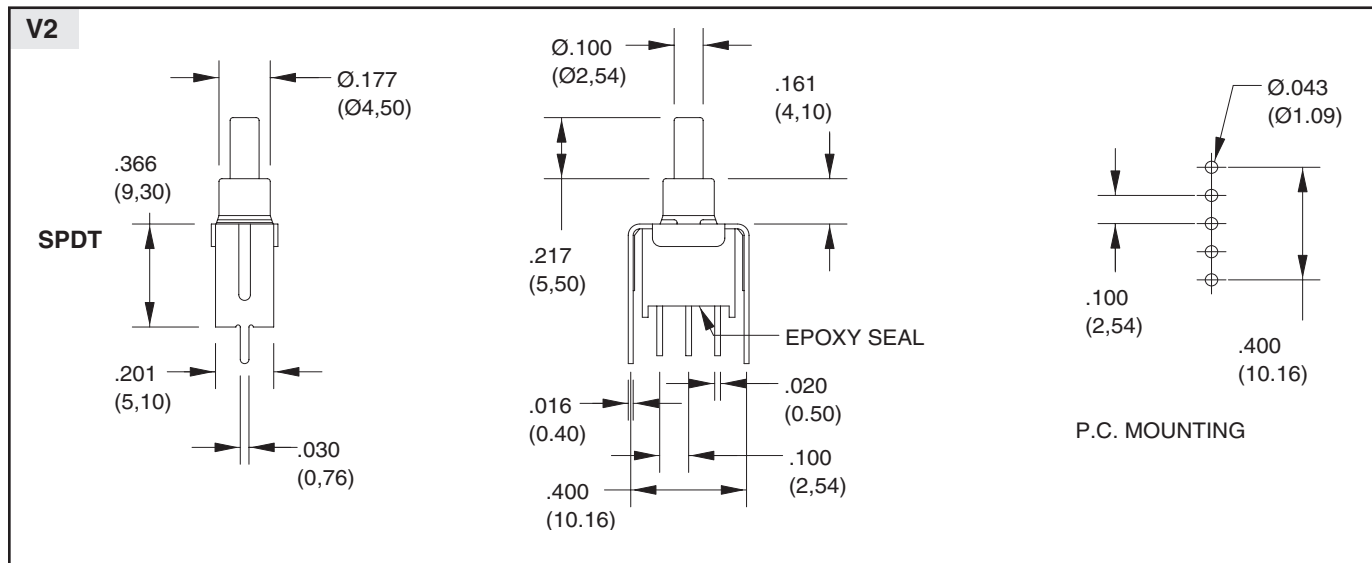


**V2**

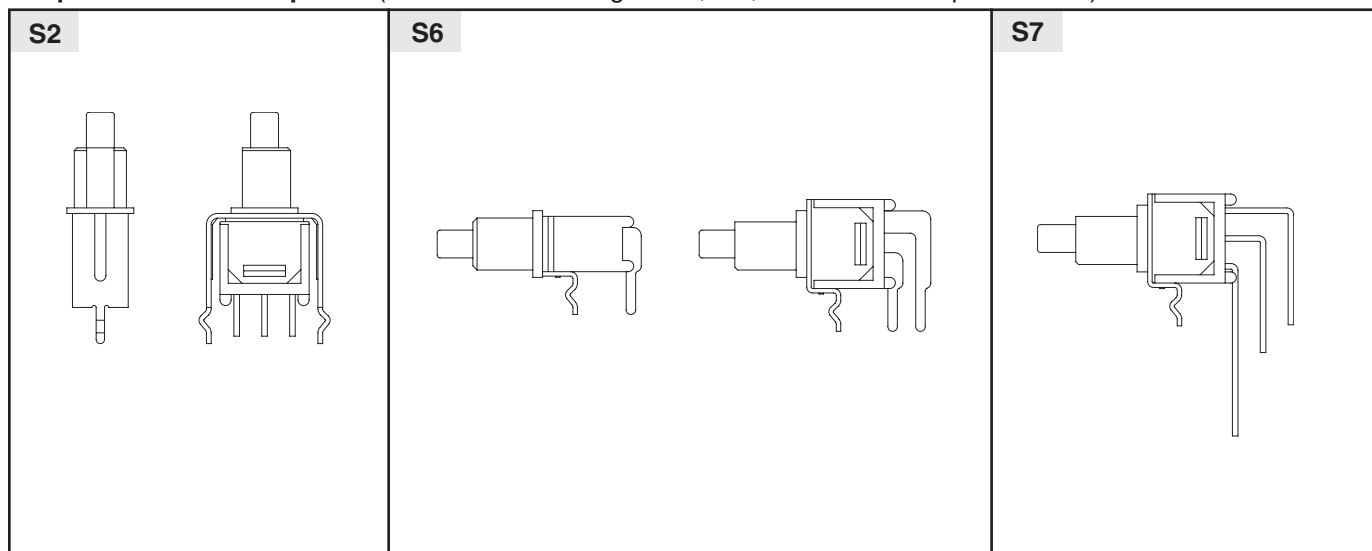


### SERIES 38G

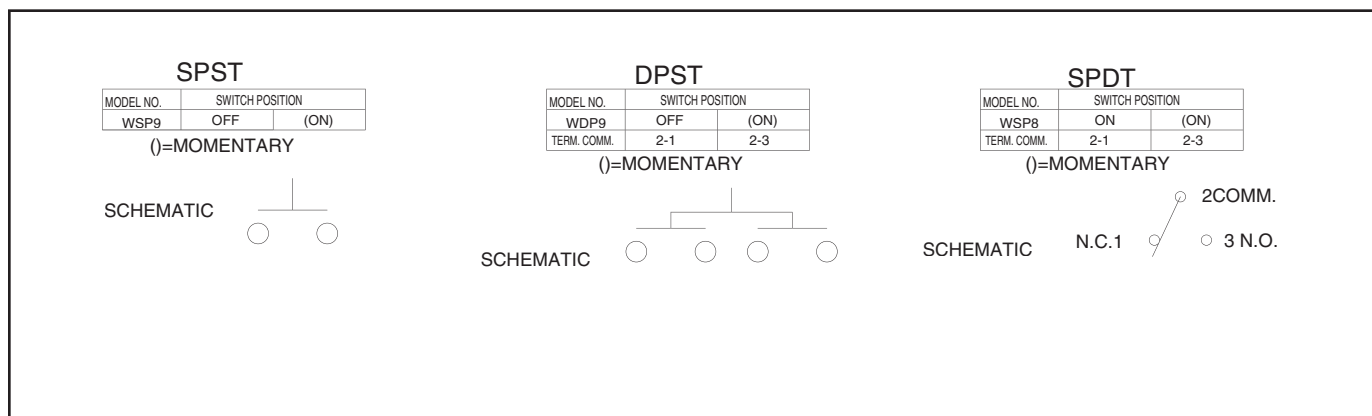
**DIMENSIONS** in inches (and millimeters)



**Snap-in Termination Options** (Same P.C. mounting as V2, M6, M7 but with snap-in bracket)



### Circuitry



Pushbutton Switches

## SERIES 38G

### SPECIFICATIONS

#### Rating Criteria

**Operating Life:** 30,000 make-and-break cycles at full load

#### Contact Rating (resistive load):

R Option: 0.4 VA maximum at 20 Vac or Vdc maximum

G Option: 1A max at 125 Vac or 28 Vdc

**Contact Resistance:** 20 milliohms max initial at 2-4 Vdc, 100 mA

**Insulation Resistance:** 1000 megaohms minimum

**Voltage Breakdown:** 1500 Vrms minimum at sea level

**Operating Temperature:** -30°C. to +85°C.

#### Materials and Finishes

**Case:** Glass filled Nylon 6/6 (UL 94V-0)

**Plunger:** Thermoplastic Polyester(UL 94V-0) (with internal o-ring seal)

**Terminals:** Copper alloy

**Spring:** Plated Music Wire

**Contact System:** Copper alloy

**Switch Support:** Brass, tin-plated

### ORDERING INFORMATION

38G	WSP8	M7	R	T
Subminiature Sealed Pushbutton Switches	Options: WSP8, WSP9, WDP9 (see models for switching positions)	Options: M6, M7, S2, S6, S7, V2 (see termination options)	R = Copper alloy, gold plate over nickel plate.  G=Gold plate over silver plate	T = Lead Free and RoHS Compliant