



Chipsmall Limited consists of a professional team with an average of over 10 year of expertise in the distribution of electronic components. Based in Hongkong, we have already established firm and mutual-benefit business relationships with customers from,Europe,America and south Asia,supplying obsolete and hard-to-find components to meet their specific needs.

With the principle of "Quality Parts,Customers Priority,Honest Operation,and Considerate Service",our business mainly focus on the distribution of electronic components. Line cards we deal with include Microchip,ALPS,ROHM,Xilinx,Pulse,ON,Everlight and Freescale. Main products comprise IC,Modules,Potentiometer,IC Socket,Relay,Connector.Our parts cover such applications as commercial,industrial, and automotives areas.

We are looking forward to setting up business relationship with you and hope to provide you with the best service and solution. Let us make a better world for our industry!



Contact us

Tel: +86-755-8981 8866 Fax: +86-755-8427 6832

Email & Skype: info@chipsmall.com Web: www.chipsmall.com

Address: A1208, Overseas Decoration Building, #122 Zhenhua RD., Futian, Shenzhen, China



38F SERIES BUTTON CAPS PART NUMBERING SYSTEM

38HH2039-12

CAP SIZE:

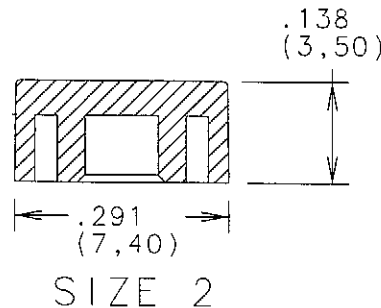
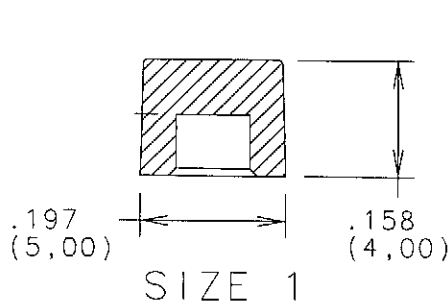
- 1= .197 DIA.
- 2= .291 DIA.

NOTES:

- 1. CAPS FIT 38F SERIES PUSHBUTTONS.

CAP COLOR

- 1= WHITE
- 2= BLACK (STD.)
- 3= RED
- 4= ORANGE
- 5= YELLOW
- 6= GREEN
- 7= BLUE
- 8= BROWN
- 9= GRAY



ALL REVISIONS TO THIS DRAWING
MUST BE MADE ON THE CAD SYSTEM

REVISIONS



GRAYHILL, INC.
561 HILLGROVE AVE.
LA GRANGE, IL 60525
PHONE (708) 354-1040

UNLESS OTHERWISE SPECIFIED TOLERANCES AND DIMENSIONS ARE IN INCHES
LINEAR ± DIAMETERS ±
ANGULAR ±
LIMITS APPLY BEFORE FINISHING
DO NOT SCALE THIS PRINT

CRITICAL CHARACTERISTIC FLAGS
PER GRAYHILL SPEC. SOP2338

- CRITICAL CHARACTERISTIC FLAG
- Cpk REQUIRED
- S.P.C. FLAG (CONTROL CHART REQ'D ON FEATURE SPECIFIED)

FINISH	APPROVED DATE KJS 7-24-03
MATERIAL	CHECKED DATE JMT 7-23-03
NAME BUTTON CAP	DRAWN DATE CWS 7-23-03

CAGE NO. 81073 CADAM DRAWING
38HH2039-X_A_001

A DWG. NO. 38HH2039-X ISSUE
SIZE A

SCALE 4:1 SHEET 1 OF 1