



Chipsmall Limited consists of a professional team with an average of over 10 year of expertise in the distribution of electronic components. Based in Hongkong, we have already established firm and mutual-benefit business relationships with customers from,Europe,America and south Asia,supplying obsolete and hard-to-find components to meet their specific needs.

With the principle of "Quality Parts,Customers Priority,Honest Operation,and Considerate Service",our business mainly focus on the distribution of electronic components. Line cards we deal with include Microchip,ALPS,ROHM,Xilinx,Pulse,ON,Everlight and Freescale. Main products comprise IC,Modules,Potentiometer,IC Socket,Relay,Connector.Our parts cover such applications as commercial,industrial, and automotives areas.

We are looking forward to setting up business relationship with you and hope to provide you with the best service and solution. Let us make a better world for our industry!



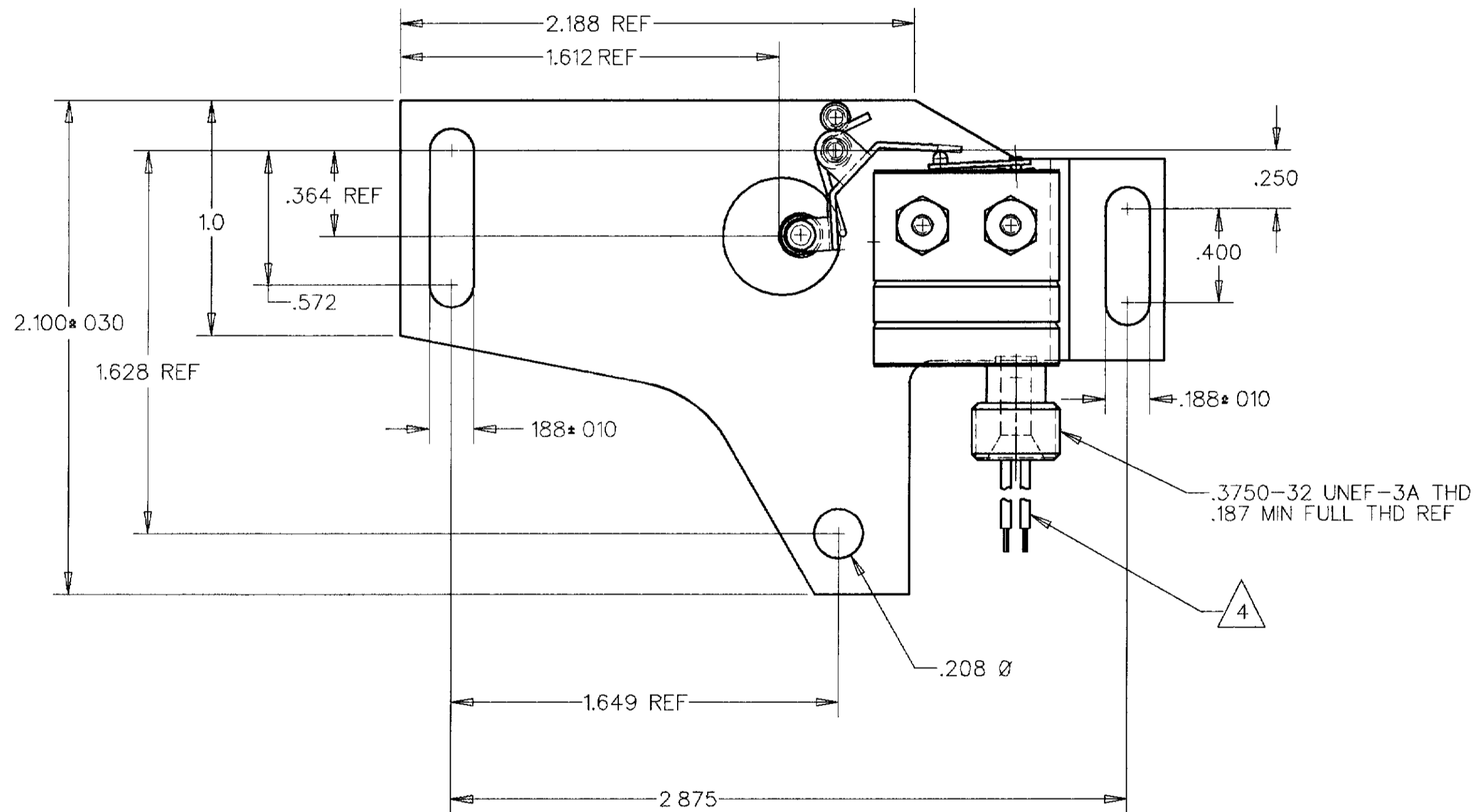
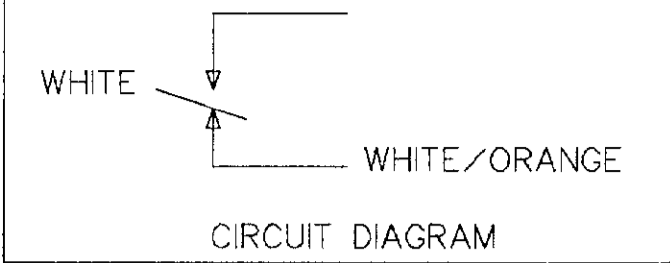
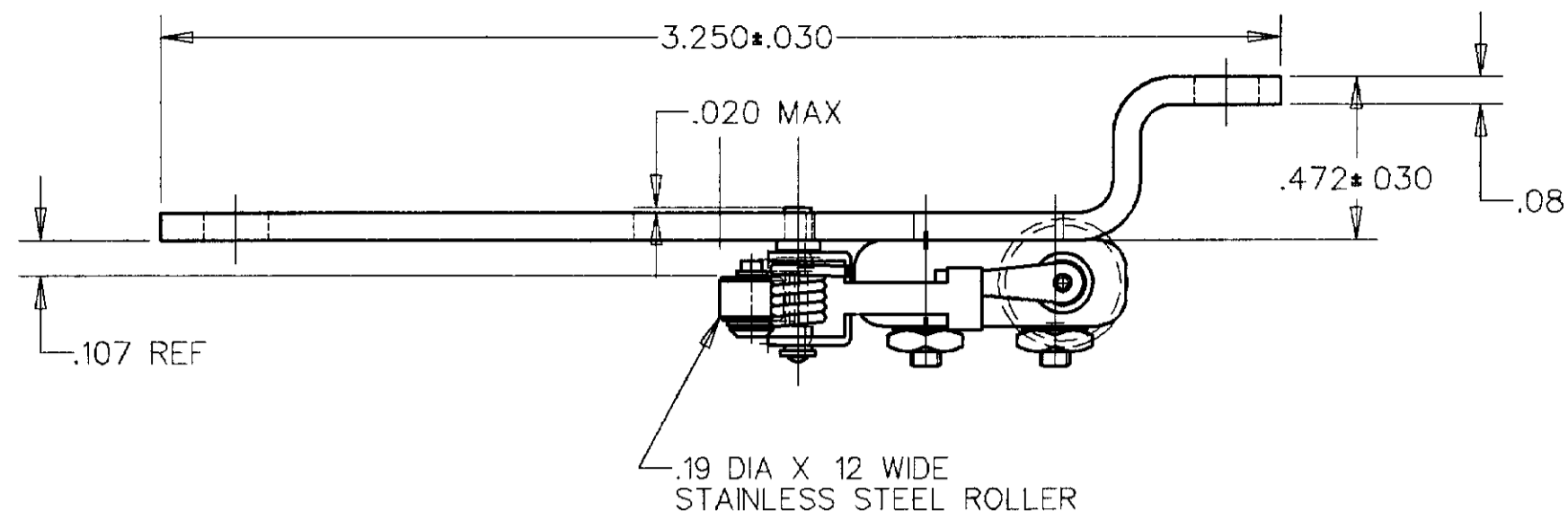
Contact us

Tel: +86-755-8981 8866 Fax: +86-755-8427 6832

Email & Skype: info@chipsmall.com Web: www.chipsmall.com

Address: A1208, Overseas Decoration Building, #122 Zhenhua RD., Futian, Shenzhen, China





- NOTES
- 1 - UNIT INCLUDES 8HM103 BASIC SWITCH
 - 2 - SWITCH HERMETICALLY SEALED PER MIL-S-8805, SYMBOL 5
 - 3 - ALL EXPOSED PARTS ARE CORROSION RESISTANT MATERIALS OR SURFACE TREATED
 - 4 - LEADWIRE PER MIL-W-22759/10-20 AND 36 INCHES LONG REF

DDM/CAD
DRAWN
DCS 21 FEB 83
CHECK
GLH 16 JUL 83
REPLACES
PR-12536-T
38HM4
M
DRAWING NUMBER
6
ISSUE

REVISIONS	
A	PR12536 15 JUL 83
B	0055506 22 JUN 84
B	0055465 15 JUL 84
C	0055828 4 SEP 84
D	0056632 29 JAN 85
E	0069973 15 MAR 91

ELECTRICAL DATA	
CONTACT ARRANGEMENT S P N C	
28 VOLTS DC RATING	
INDUCTIVE	SEA LEVEL - 1/4 AMP 70,000 FT - 1/4 AMP
RESISTIVE	SEA LEVEL - 1 AMP 70,000 FT - 1 AMP

CHARACTERISTICS	
OPERATING FORCE	5 LBS MAX
RELEASE FORCE	12 OZ MIN
PRETRAVEL	0.06 MIN
DIFFERENTIAL TRAVEL	0.15 MAX
OVERTRAVEL	0.25 MIN

THIS DRAWING COVERS A PROPRIETARY ITEM AND IS THE PROPERTY OF MICRO SWITCH, A DIVISION OF HONEYWELL. THIS DRAWING IS NOT TO BE COPIED OR USED WITHOUT THE APPROVAL OF MICRO SWITCH.

MICRO SWITCH a Honeywell Division	SWITCH-BASIC	CATALOG LISTING 38HM4
FED. MFG. CODE 91929		SUNSTRAND DRAWING 5903922

THIRD ANGLE PROJECTION	
SCALE	2:1
DO NOT SCALE PRINT	
UNLESS OTHERWISE SPECIFIED TOLERANCES ARE	
ONE PLACE	() ± 0.30
TWO PLACES	(00) ± 0.15
THREE PLACES	(000) ± 0.05
ANGLES	±
WEIGHT	