



Chipsmall Limited consists of a professional team with an average of over 10 year of expertise in the distribution of electronic components. Based in Hongkong, we have already established firm and mutual-benefit business relationships with customers from,Europe,America and south Asia,supplying obsolete and hard-to-find components to meet their specific needs.

With the principle of "Quality Parts,Customers Priority,Honest Operation,and Considerate Service",our business mainly focus on the distribution of electronic components. Line cards we deal with include Microchip,ALPS,ROHM,Xilinx,Pulse,ON,Everlight and Freescale. Main products comprise IC,Modules,Potentiometer,IC Socket,Relay,Connector.Our parts cover such applications as commercial,industrial, and automotives areas.

We are looking forward to setting up business relationship with you and hope to provide you with the best service and solution. Let us make a better world for our industry!



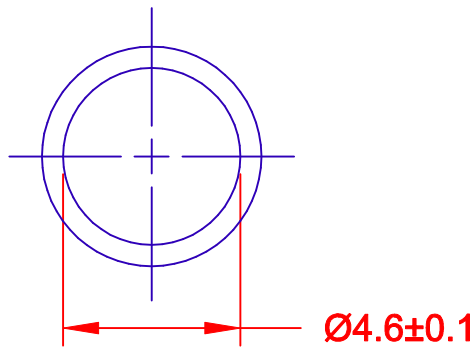
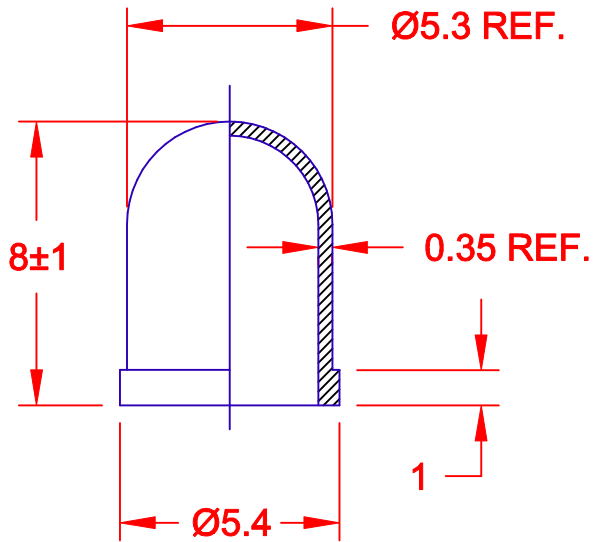
Contact us

Tel: +86-755-8981 8866 Fax: +86-755-8427 6832

Email & Skype: info@chipsmall.com Web: www.chipsmall.com

Address: A1208, Overseas Decoration Building, #122 Zhenhua RD., Futian, Shenzhen, China





JKL PART NUMBER	COLOR
39-08-1*	RED
39-08-2*	ORANGE
39-08-3*	YELLOW
39-08-4*	GREEN
39-08-5*	BLUE
39-08-6*	BLUE-WHITE
39-08-7*	WHITE

*TO BE DETERMINED

		METRIC DIMENSIONS ARE IN MILLIMETERS TOLERANCE UNLESS OTHERWISE SPECIFIED 1 PL +/- 0.2 2 PL +/- 0.20 ANGLE +/-		JKL COMPONENTS CORPORATION								
				TITLE T-1 3/4 LAMP FILTER								
B DIM CHANGE A DIM CHANGES RELEASED	9/5/01 6/5/01 1/16/01	DRAWN BY L. WENGSTROM	APPVD BY DATE J.K. 9/5/01	SIZE A	FSCM NO. 55335	DRAWING NO. FILTER 39-08						
REV. NO.		DESCRIPTION/ECO NUMBER		APPVD DATE		- CAD DRAWING - MANUAL REVISIONS NOT PERMITTED		SCALE NONE	RELEASED DATE 1/16/01	REVISION DATE 9/5/01	REV. NO. B	SHEET 1 OF 1