



Chipsmall Limited consists of a professional team with an average of over 10 year of expertise in the distribution of electronic components. Based in Hongkong, we have already established firm and mutual-benefit business relationships with customers from,Europe,America and south Asia,supplying obsolete and hard-to-find components to meet their specific needs.

With the principle of “Quality Parts,Customers Priority,Honest Operation,and Considerate Service”,our business mainly focus on the distribution of electronic components. Line cards we deal with include Microchip,ALPS,ROHM,Xilinx,Pulse,ON,Everlight and Freescale. Main products comprise IC,Modules,Potentiometer,IC Socket,Relay,Connector.Our parts cover such applications as commercial,industrial, and automotives areas.

We are looking forward to setting up business relationship with you and hope to provide you with the best service and solution. Let us make a better world for our industry!



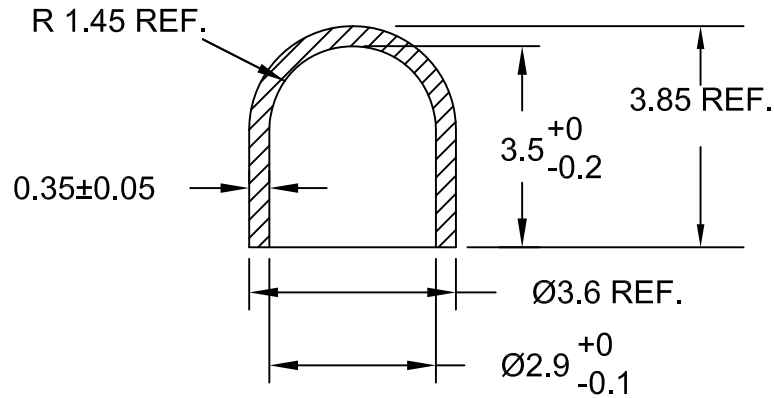
Contact us

Tel: +86-755-8981 8866 Fax: +86-755-8427 6832

Email & Skype: info@chipsmall.com Web: www.chipsmall.com

Address: A1208, Overseas Decoration Building, #122 Zhenhua RD., Futian, Shenzhen, China





FILTER NUMBER	COLOR (REF.) COORDINATES				COLOR
	x	y	u'	v'	
39-30-W01	.236	.184	.200	.350	BLUE/WHITE
39-30-W02	.324	.295	.220	.450	WHITE
39-30-W03	.444	.435	.242	.534	IVORY
39-30-W04	.353	.372	.210	.496	YELLOW/WHITE
39-30-W05	.399	.501	.194	.549	GREEN/WHITE
39-30-W06	.263	.435	.137	.509	BLUE/WHITE
39-30-W07	.270	.412	.146	.501	BLUE/WHITE
39-30-W08	.543	.422	.311	.544	AMBER/WHITE

 THIRD ANGLE PROJECTION	DIMENSIONS ARE IN MILLIMETERS TOLERANCE UNLESS OTHERWISE SPECIFIED 1 PL +/- 0.2 2 PL +/- 0.20 ANGLE +/- 0	COMPONENTS CORPORATION			
		TITLE T-1 WHITE CAP[®] SILICONE FILTER			
DRAWN BY L. WENGSTROM	APPVD BY S.C.	DATE 2/11/08	SIZE A	FSCM NO. 55335	DRAWING NO. FILTER WHITE CAP 39-30
- CAD DRAWING - MANUAL REVISIONS NOT PERMITTED			SCALE NONE	RELEASED DATE 2/15/01	REVISION DATE 2/11/08
REV. NO.	DESCRIPTION/ECO NUMBER	APPVD DATE	REV. NO. A	SHEET 1 OF 1	

A ADD FILTERS W06, W07 AND W08 RELEASED	2/11/08 2/15/01	APPVD DATE
---	--------------------	------------