



Chipsmall Limited consists of a professional team with an average of over 10 year of expertise in the distribution of electronic components. Based in Hongkong, we have already established firm and mutual-benefit business relationships with customers from,Europe,America and south Asia,supplying obsolete and hard-to-find components to meet their specific needs.

With the principle of “Quality Parts,Customers Priority,Honest Operation,and Considerate Service”,our business mainly focus on the distribution of electronic components. Line cards we deal with include Microchip,ALPS,ROHM,Xilinx,Pulse,ON,Everlight and Freescale. Main products comprise IC,Modules,Potentiometer,IC Socket,Relay,Connector.Our parts cover such applications as commercial,industrial, and automotives areas.

We are looking forward to setting up business relationship with you and hope to provide you with the best service and solution. Let us make a better world for our industry!



Contact us

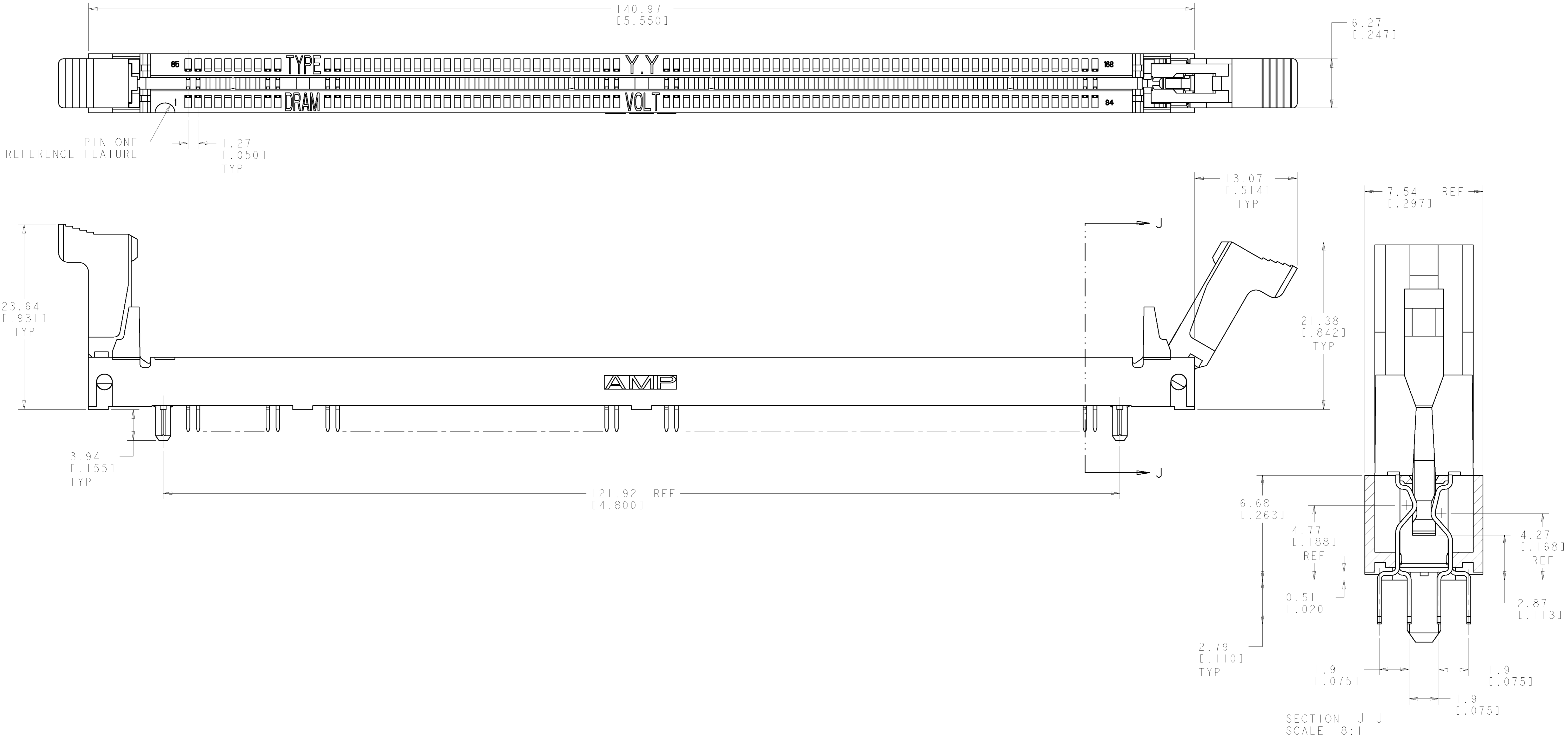
Tel: +86-755-8981 8866 Fax: +86-755-8427 6832

Email & Skype: info@chipsmall.com Web: www.chipsmall.com

Address: A1208, Overseas Decoration Building, #122 Zhenhua RD., Futian, Shenzhen, China



LOC	DIST	REVISIONS					
GP	0	F	LTR	DATE	DWN	APPD	
		F		OBSOLETE: -1 PER OS11-0143-02	11FEB2003	DD	KK

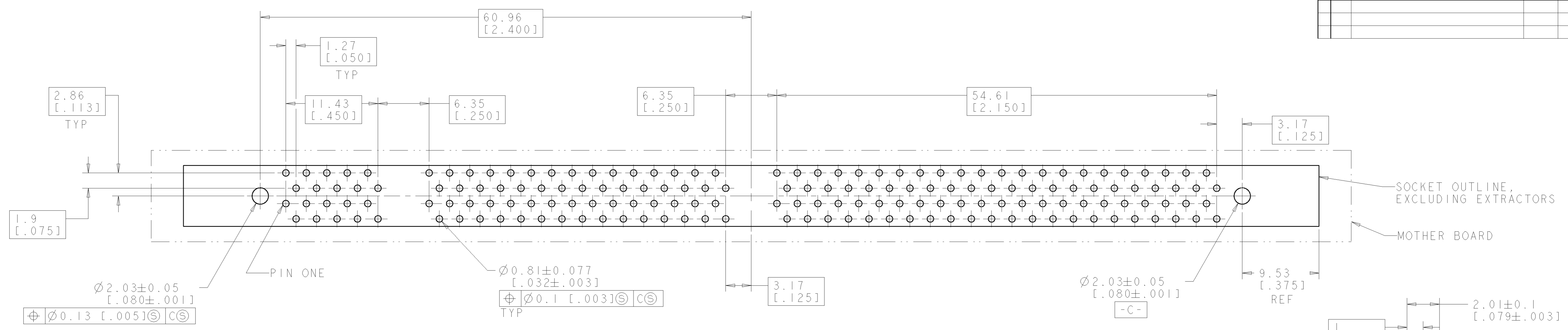


DETAIL C	DETAIL A	NON-BUFFERED DRAM, 3.3 VOLT	390040-6	OBSOLETE
DETAIL B	DETAIL A	SYNC DRAM, 3.3 VOLT	390040-5	
DETAIL A	DETAIL A	STD DRAM, 3.3 VOLT	390040-4	
DETAIL A	DETAIL B	STD DRAM, 5 VOLT	390040-1	
KEY #1	KEY #2	PART DESCRIPTION	PART NUMBER	

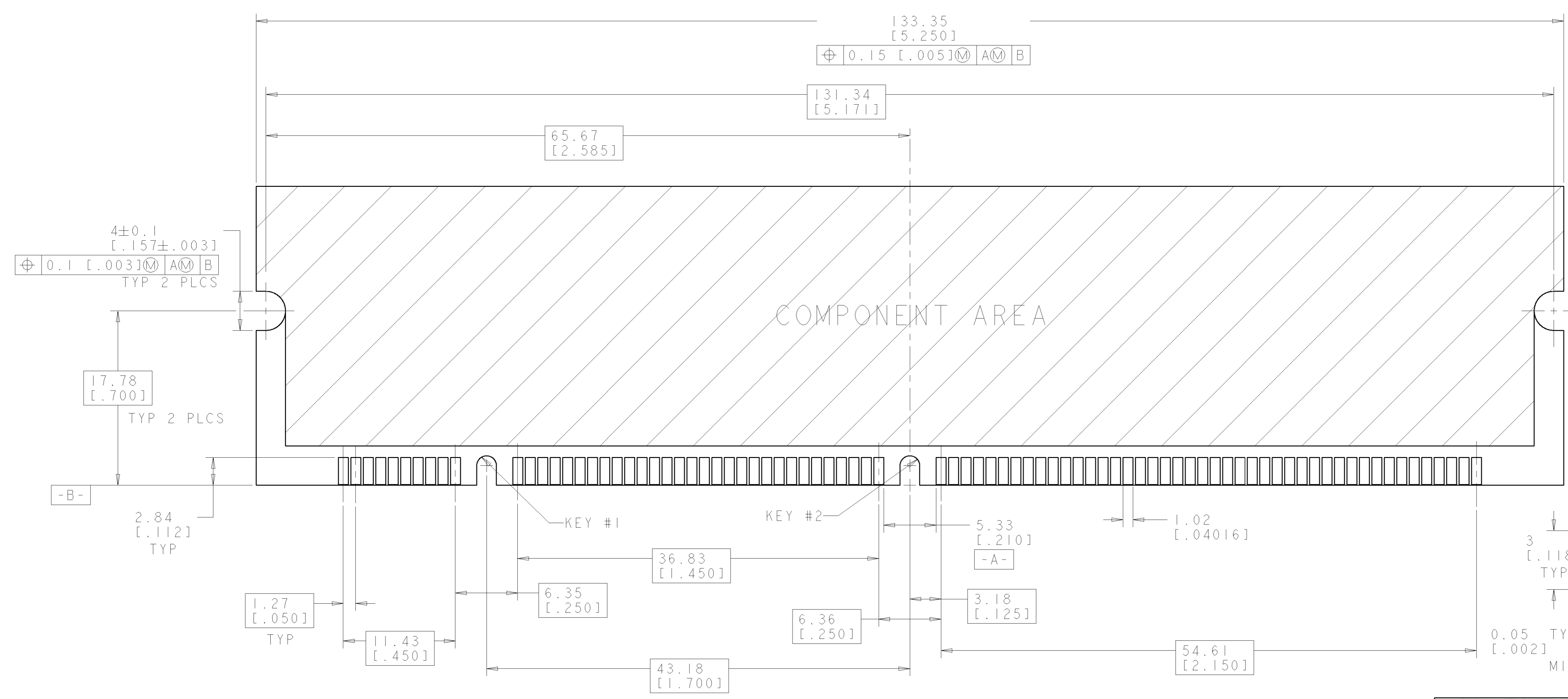
- ⚠ FOR OPTIMUM PERFORMANCE, CONTACT PAD PLATING SHOULD BE SMOOTH AND FLAT, COPPER CONTACT PADS ARE TO BE OVERPLATED WITH 0.00127[.00050] MIN THK NICKEL FOLLOWED WITH 0.00127[.00040] MIN THK GOLD PLATING.
- ⚠ CONTACT MATING AREA:
 0.00076[.00030] MIN THICK GOLD OVER 0.00381[.000150] NICKEL OR GOLD FLASH OVER 0.00051[.00020] MIN THK 80/20 PALLADIUM-NICKEL.
 SOLDER TAILS: 0.00381[.000150] MIN THK TIN-LEAD UNDERPLATE:
 0.00127[.00050] MIN THK NICKEL OVER ENTIRE CONTACT.
- ⚠ MATERIAL:
 HOUSING AND EXTRACTORS: GLASS FILLED, HIGH TEMPERATURE NYLON.
 CONTACTS: PHOS BRONZE

DIMENSIONS:		TOLERANCES UNLESS OTHERWISE SPECIFIED:		DRAWN		AMP INCORPORATED	
mm	[INCHES]	0 PLC	±	W. SORAH	26-APR-96	Harrisburg, PA 17105-3608	
		1 PLC	±0.13 [0.005]	R. TALLEY	26-APR-96		
		2 PLC	±	S. HOWELL			
		3 PLC	±	NAME		SOCKET ASSEMBLY, DUAL READ-OUT, VERSION II, 8 BYTE, 168 POSITION	
		4 PLC	±	PRODUCT SPEC			
		ANGLES	±	APPLICATION SPEC			
		FINISH	±	SIZE		A1	
				CAGE CODE		00779	
				DRAWING NO		C=390040	
				WEIGHT			
				CUSTOMER DRAWING		SCALE 1:1 SHEET 1 OF 2 REV F	

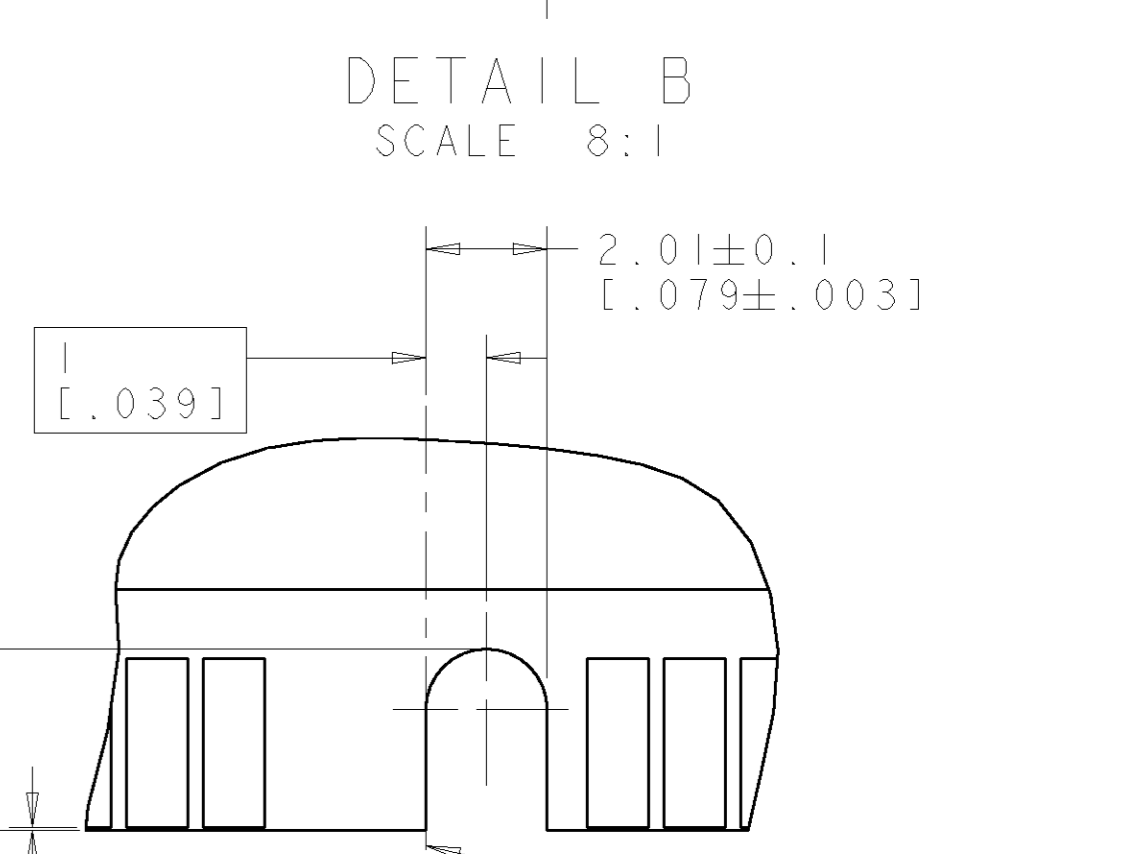
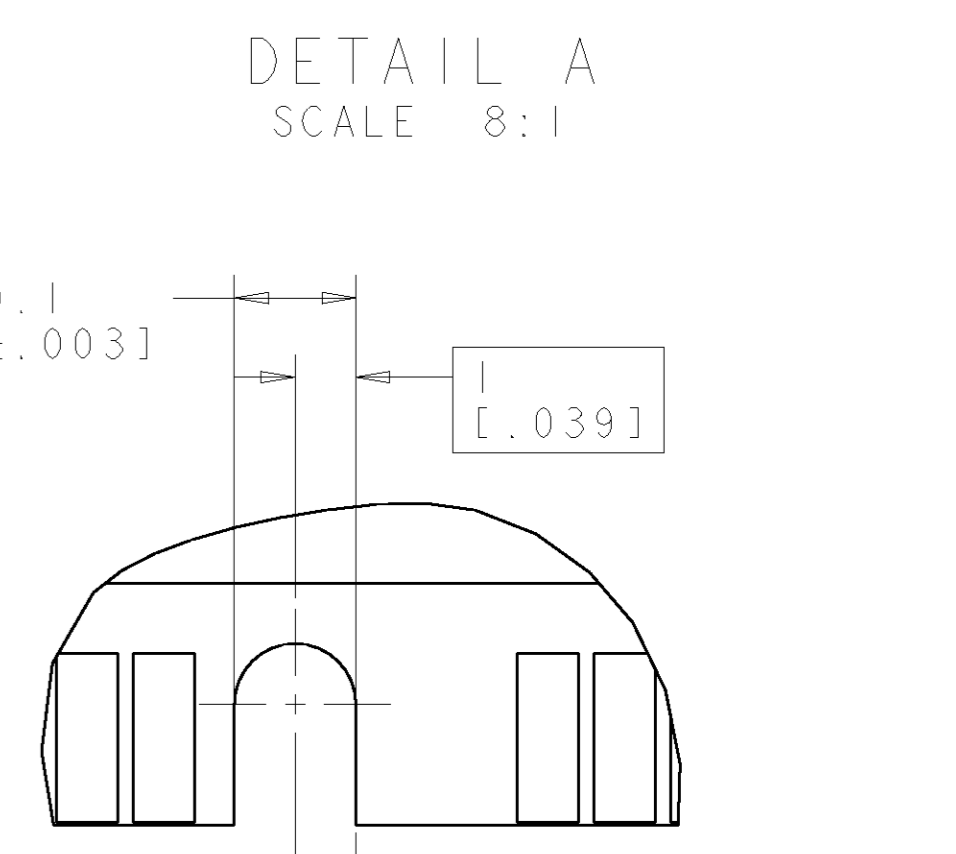
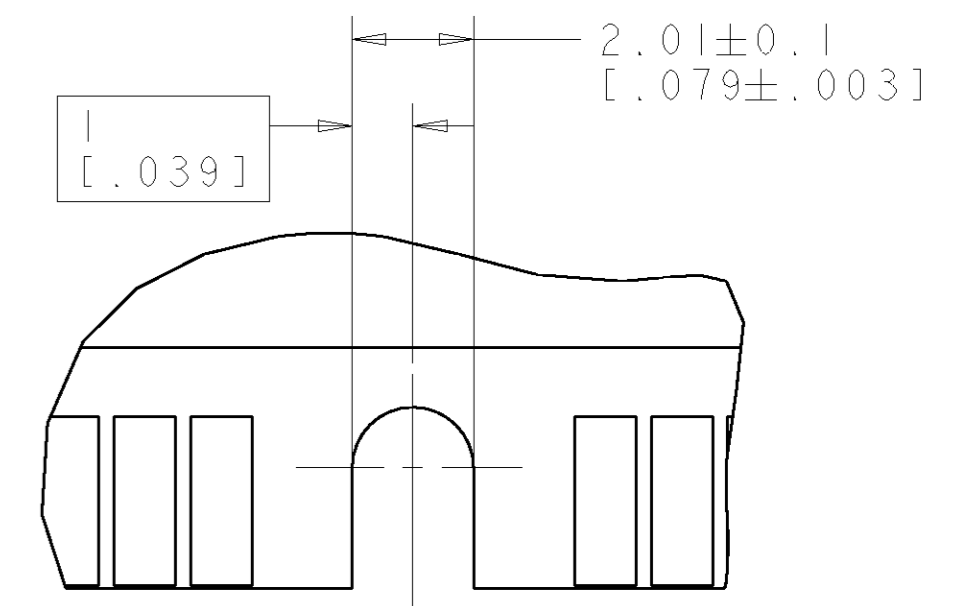
LOC	DIST	F	LTR	DESCRIPTION	DATE	DWN	APPD
GP	0			SEE SHEET 1			



RECOMMENDED CIRCUIT BOARD HOLE LAYOUT



RECOMMENDED MODULE LAYOUT
 SEE JEDEC SPEC. MO-161 FOR COMPLETE MODULE DETAILS
 1.27 \pm 0.10 [.050 \pm .004] THICK ACROSS CONTACT PADS



<small>THIS DRAWING IS A CONTROLLED DOCUMENT FOR AMP INCORPORATED. ALL DIMENSIONS SHOWN ARE THE DIMENSIONS OF THE DRAWING UNLESS OTHERWISE SPECIFIED. QUALIFICATION SHOULD BE CONTACTED FOR THE LATEST REVISION.</small>		DWN W. SORAH 26-APR-96 CHK R. TALLEY 26-APR-96 APD S. HOWELL 26-APR-96	NAME SOCKET ASSEMBLY, DUAL READ-OUT, VERSION II, 8 BYTE, 168 POSITION
DIMENSIONS: mm [INCHES]	TOLERANCES UNLESS OTHERWISE SPECIFIED: 0 PLC \pm 1 PLC \pm 2 PLC \pm 0.13 [.005] 3 PLC \pm 4 PLC \pm ANGLES:	PRODUCT SPEC APPLICATION SPEC CAGE CODE DRAWING NO. A1 00779	AMP Incorporated Harrisburg, PA 17105-3608
MATERIAL SEE SH 1	FINISH 2	WEIGHT CUSTOMER DRAWING	SCALE 4:1 SHEET 2 OF 2 REV F