



Chipsmall Limited consists of a professional team with an average of over 10 year of expertise in the distribution of electronic components. Based in Hongkong, we have already established firm and mutual-benefit business relationships with customers from,Europe,America and south Asia,supplying obsolete and hard-to-find components to meet their specific needs.

With the principle of “Quality Parts,Customers Priority,Honest Operation,and Considerate Service”,our business mainly focus on the distribution of electronic components. Line cards we deal with include Microchip,ALPS,ROHM,Xilinx,Pulse,ON,Everlight and Freescale. Main products comprise IC,Modules,Potentiometer,IC Socket,Relay,Connector.Our parts cover such applications as commercial,industrial, and automotives areas.

We are looking forward to setting up business relationship with you and hope to provide you with the best service and solution. Let us make a better world for our industry!



Contact us

Tel: +86-755-8981 8866 Fax: +86-755-8427 6832

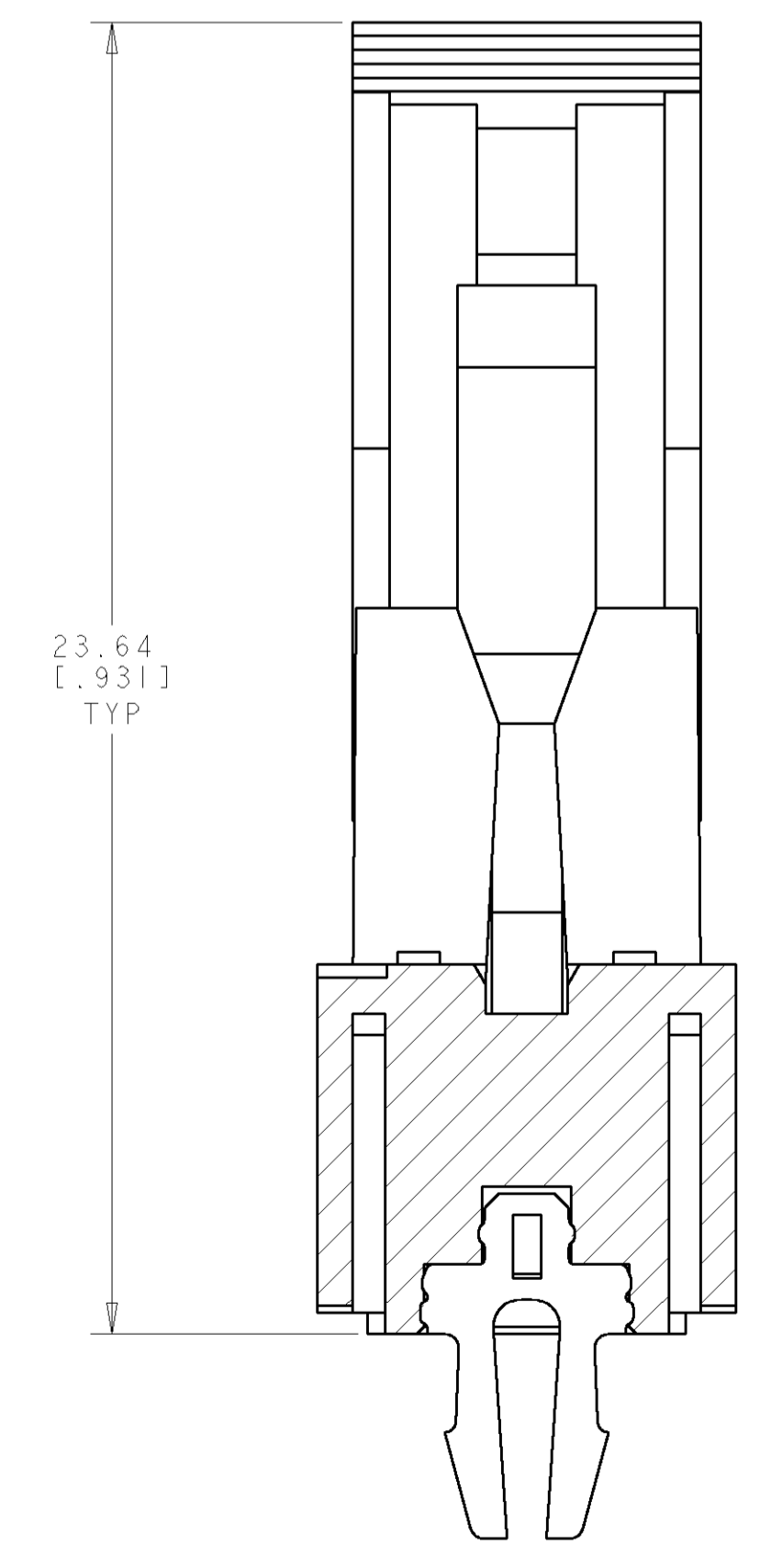
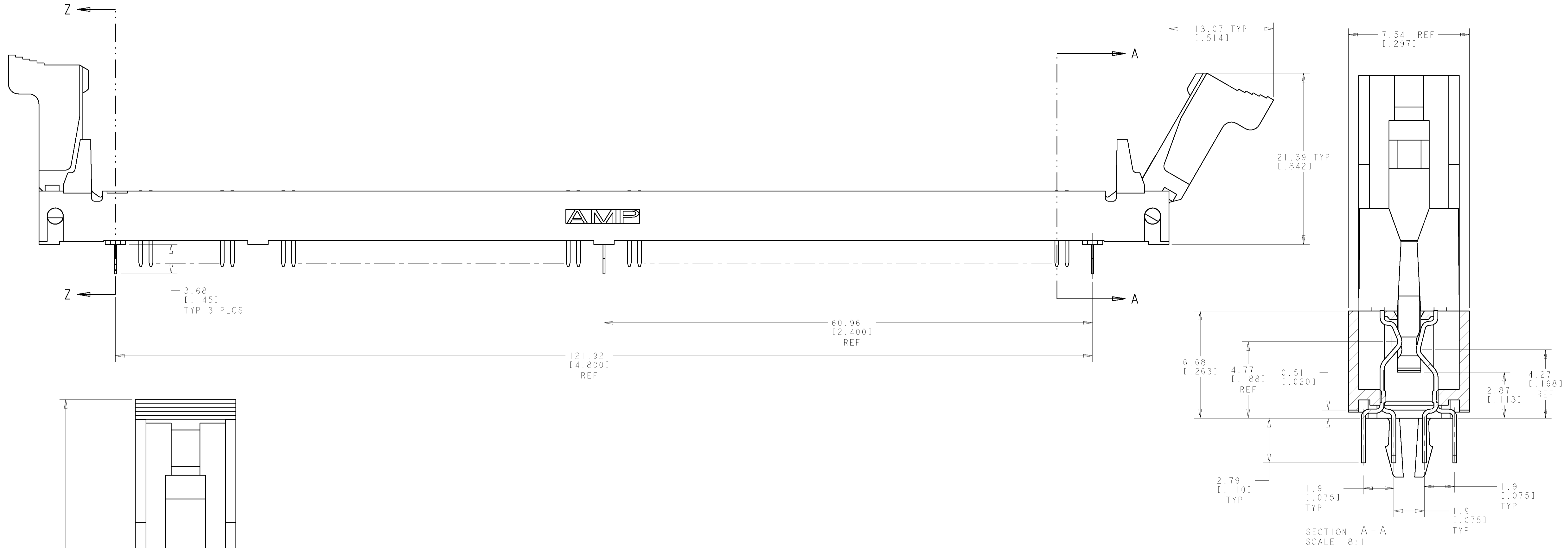
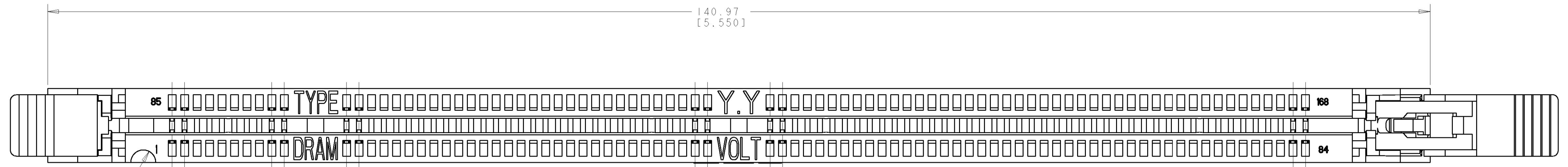
Email & Skype: info@chipsmall.com Web: www.chipsmall.com

Address: A1208, Overseas Decoration Building, #122 Zhenhua RD., Futian, Shenzhen, China



LOC	DIST	REV	DATE	BY	CHKD
GP	0				

REVISIONS					
REV	DATE	BY	CHKD	DESCRIPTION	APPD
H	23JAN02	DD	DS	ADDED: 3/6 AND 4/6 PER OS1D-0146-00	
J	15FEB02	JB	DS	ADDED: 5/6 PER OS1D-0006-01	
K	20FEB02	JB	DS	REVISED PER OS1D-0027-01	
L	04MAR02	JB	DS	ADDED: 6/6 PER OS11-0029-01	



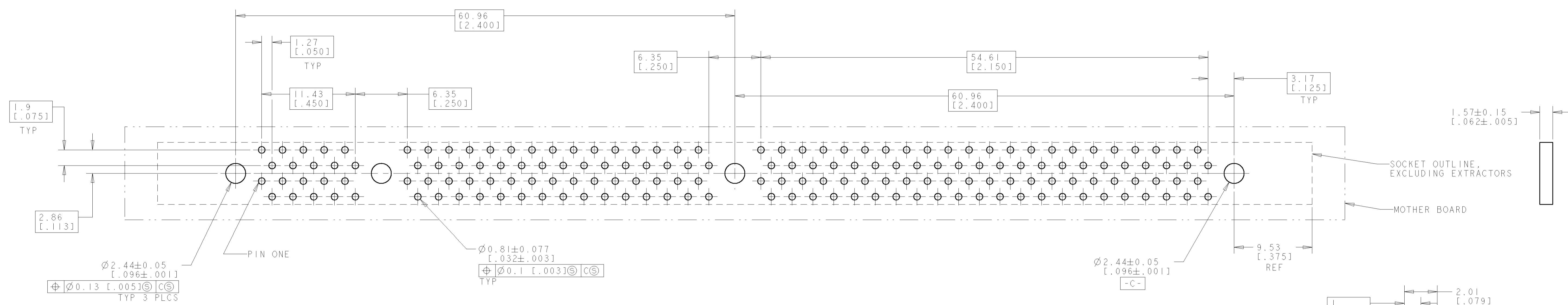
KEY #1	KEY #2	PART DESCRIPTION	PART NUMBER
DETAIL C	DETAIL A	NON-BUFFERED DRAM, 3.3 VOLT	6-390074-6
DETAIL C	DETAIL A	NON-BUFFERED DRAM, 3.3 VOLT	5-390074-6
DETAIL C	DETAIL A	NON-BUFFERED DRAM, 3.3 VOLT	4-390074-6
DETAIL C	DETAIL A	NON-BUFFERED DRAM, 3.3 VOLT	3-390074-6
DETAIL C	DETAIL A	NON-BUFFERED DRAM, 3.3 VOLT	2-390074-6
DETAIL C	DETAIL A	NON-BUFFERED DRAM, 3.3 VOLT	1-390074-6
DETAIL A	DETAIL A	STD DRAM, 3.3 VOLT	1-390074-4
DETAIL C	DETAIL A	NON-BUFFERED DRAM, 3.3 VOLT	390074-6
DETAIL B	DETAIL A	SYNC DRAM, 3.3 VOLT	390074-5
DETAIL A	DETAIL A	STD DRAM, 3.3 VOLT	390074-4
DETAIL A	DETAIL B	STD DRAM, 5 VOLT	390074-1

- 1 FOR OPTIMUM PERFORMANCE, CONTACT PAD PLATING SHOULD BE SMOOTH AND FLAT. COPPER CONTACT PADS ARE TO BE OVERPLATED WITH 0.00127 [0.00050] MIN THK NICKEL FOLLOWED WITH 0.00102 [0.00040] MIN THK GOLD PLATING.
- 2 CONTACT MATING AREA: 0.00076 [0.00030] MIN THICK GOLD OVER 0.00381 [0.00150] NICKEL OR GOLD FLASH OVER 0.00051 [0.00020] MIN THICK 80/20 PALLADIUM-NICKEL. MIN THICK. SOLDER TAILS: 0.00381 [0.00150] MIN THICK TIN-LEAD UNDERPLATE: 0.00127 [0.00050] MIN THICK NICKEL OVER ENTIRE CONTACT.
- 3 MATERIAL: HOUSING AND EXTRACTORS: GLASS FILLED, HIGH TEMPERATURE NYLON. CONTACTS: PHOS BRONZE
- 4 PART NUMBER 1-390074-4 AND 1-390074-6 PACKAGED IN TUBES.
- 5 EXTRACTOR MATERIAL: GLASS-FILLED, HIGH TEMPERATURE NYLON, COLOR-GRAY.
- 6 EXTRACTOR TO BE INSERTED IN PIN 1 END.
- 7 EXTRACTOR TO BE INSERTED IN PIN 84 END.
- 8 SEE SHEET 3 FOR DETAILS.
- 9 USE ONLY GOLD PLATE OPTION FOR THIS DASH NUMBER.

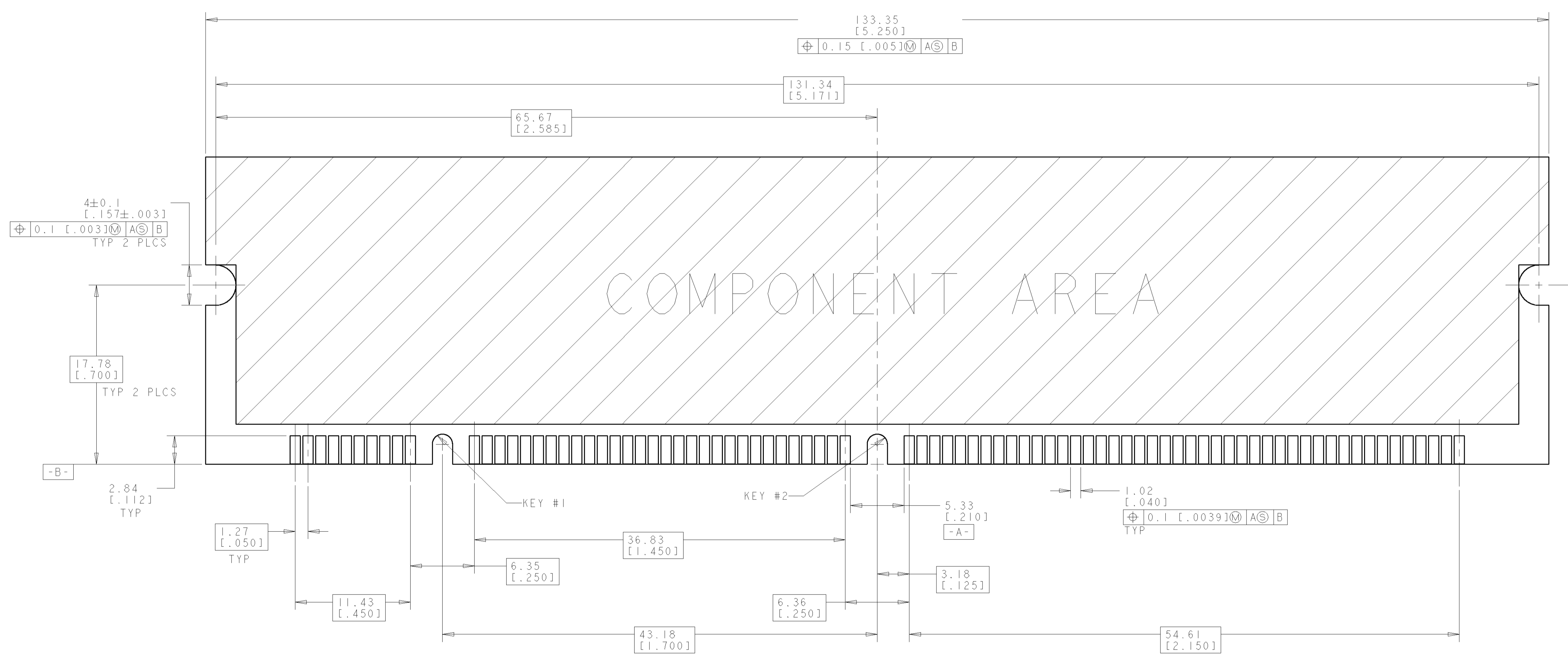
<small>THIS DRAWING IS A CONTROLLED DOCUMENT FOR AMP INCORPORATED. ALL CHANGES TO THIS DRAWING MUST BE CONTROLLED BY THE ORGANIZATION THAT ISSUED THIS DRAWING. FOR THE LATEST REVISION, CONTACT THE ORGANIZATION THAT ISSUED THIS DRAWING.</small>		DWN: W. SORAH 21-AUG-96 ENR: R. TALLEY 21-AUG-96 APD: P. SMITH 21-AUG-96	AMP AMP Incorporated Harrisburg, PA 17105-3608
DIMENSIONS: mm [INCHES]	TOLERANCES UNLESS OTHERWISE SPECIFIED: 0 PLC ± 1 PLC ±0.13 [0.005] 2 PLC ± 3 PLC ± 4 PLC ± 5 PLC ±	NAME: SOCKET ASSY, DUAL READ-OUT, VERSION II, 17.78 [0.700], LOCKING EXTRACTORS, 168 POSITION PRODUCT SPEC: APPLICATION SPEC: SIZE: A1 CAGE CODE: 00779 DRAWING NO: C-390074	SCALE: 4:1 SHEET 1 OF 3 REV
MATERIAL: 3 FINISH: 1, 2		WEIGHT: - CUSTOMER DRAWING	

LOC	DIST	REV	DATE	BY	APPD
GP	0				

REVISIONS			
NO.	DESCRIPTION	DATE	BY
-	SEE SHEET 1	-	-

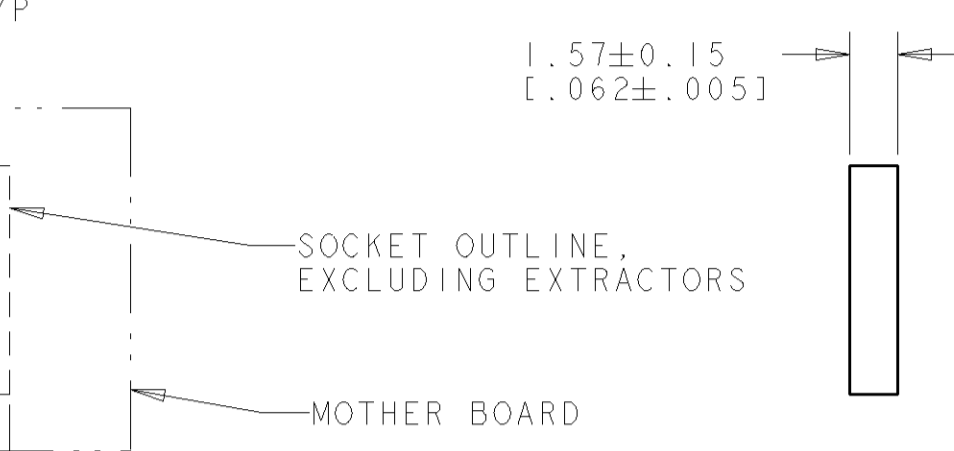


RECOMMENDED CIRCUIT BOARD HOLE LAYOUT

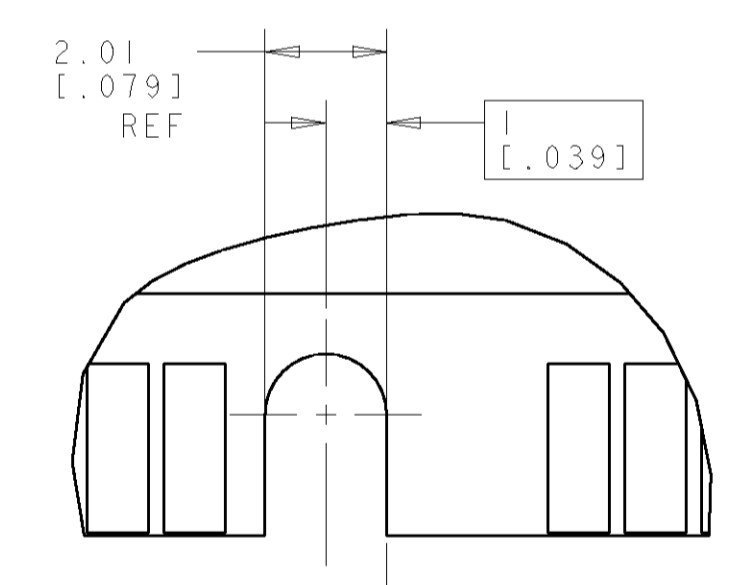


RECOMMENDED MODULE LAYOUT

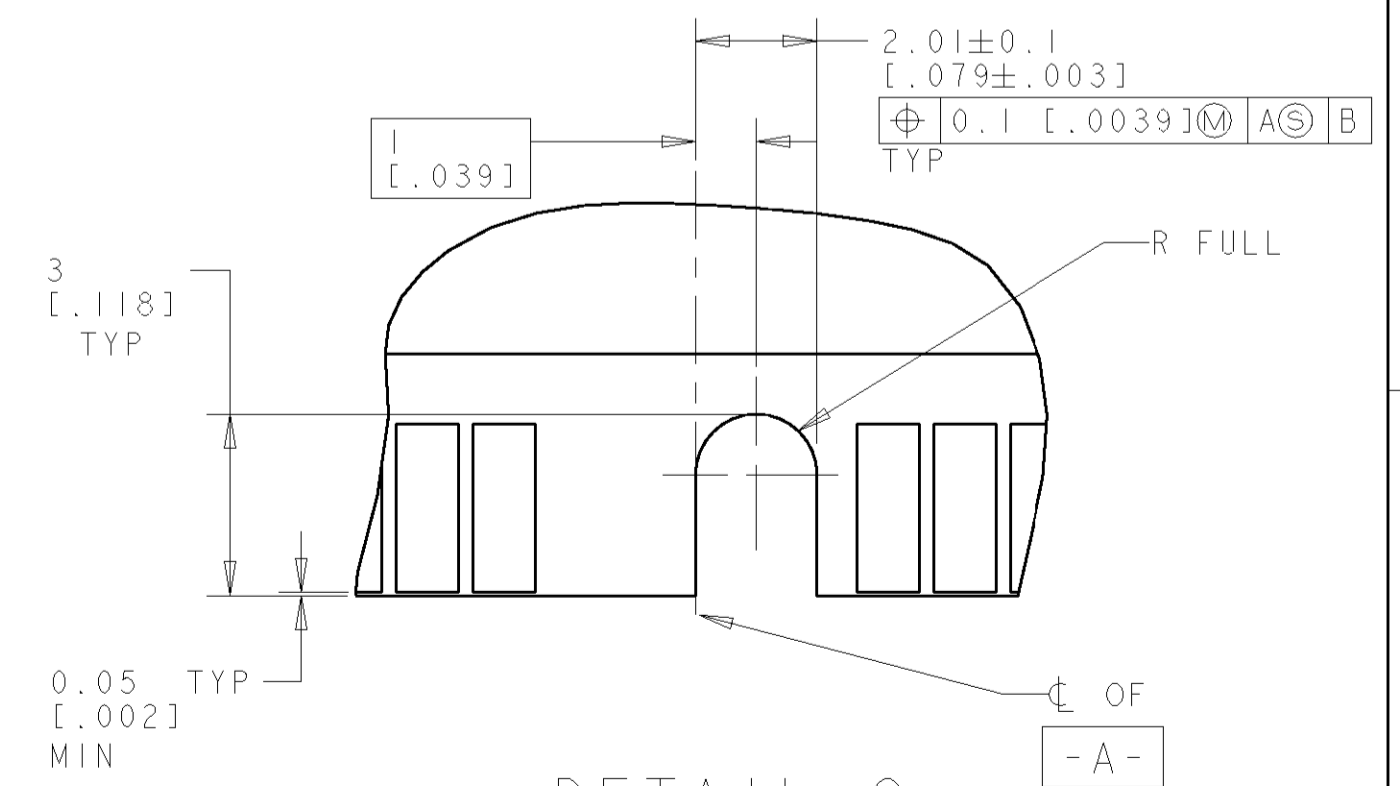
SEE JEDEC SPEC. MO-161 FOR COMPLETE MODULE DETAILS
 1.27±0.10(.050±.004) THICK ACROSS CONTACT PADS



DETAIL A
SCALE 8:1



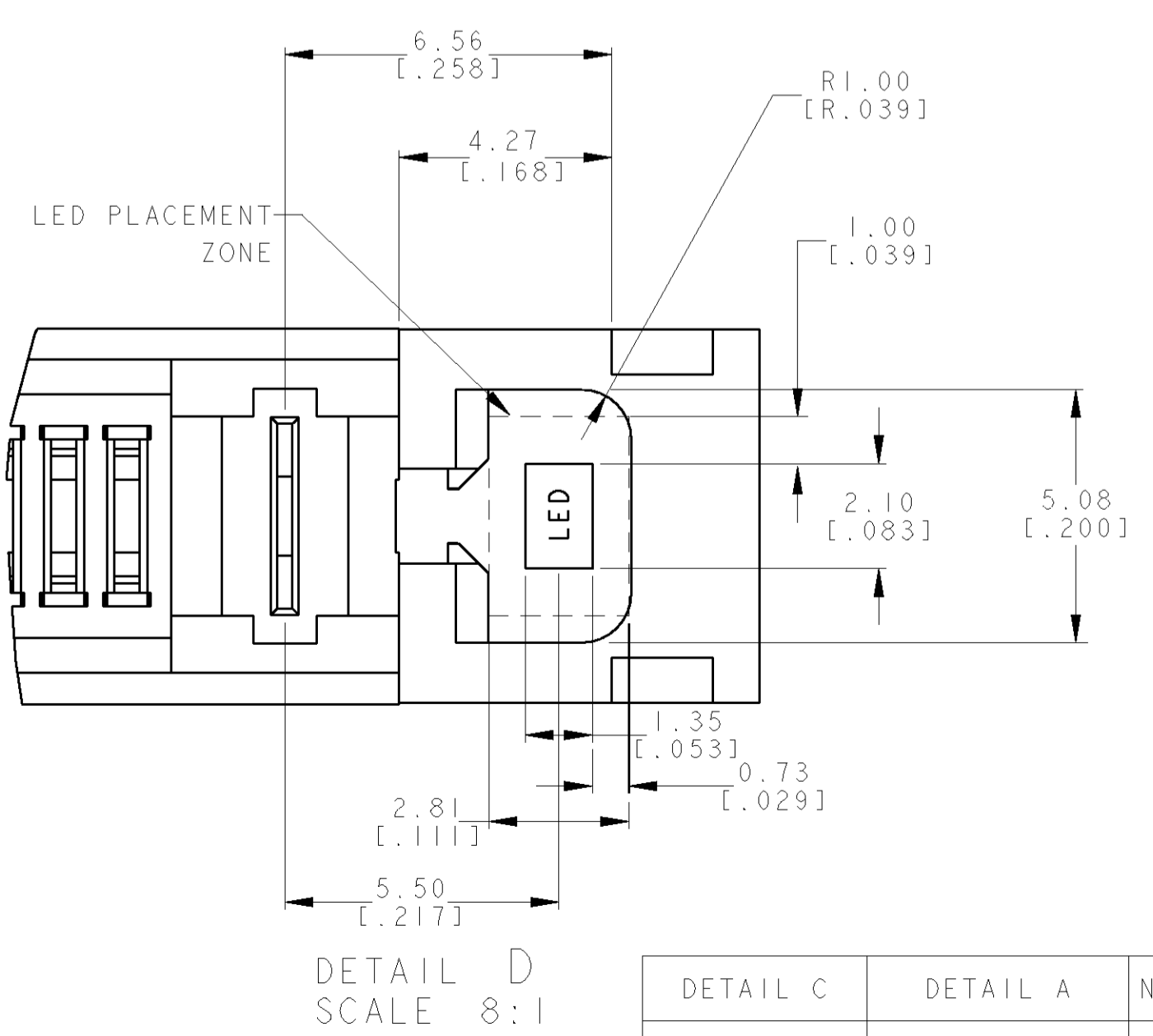
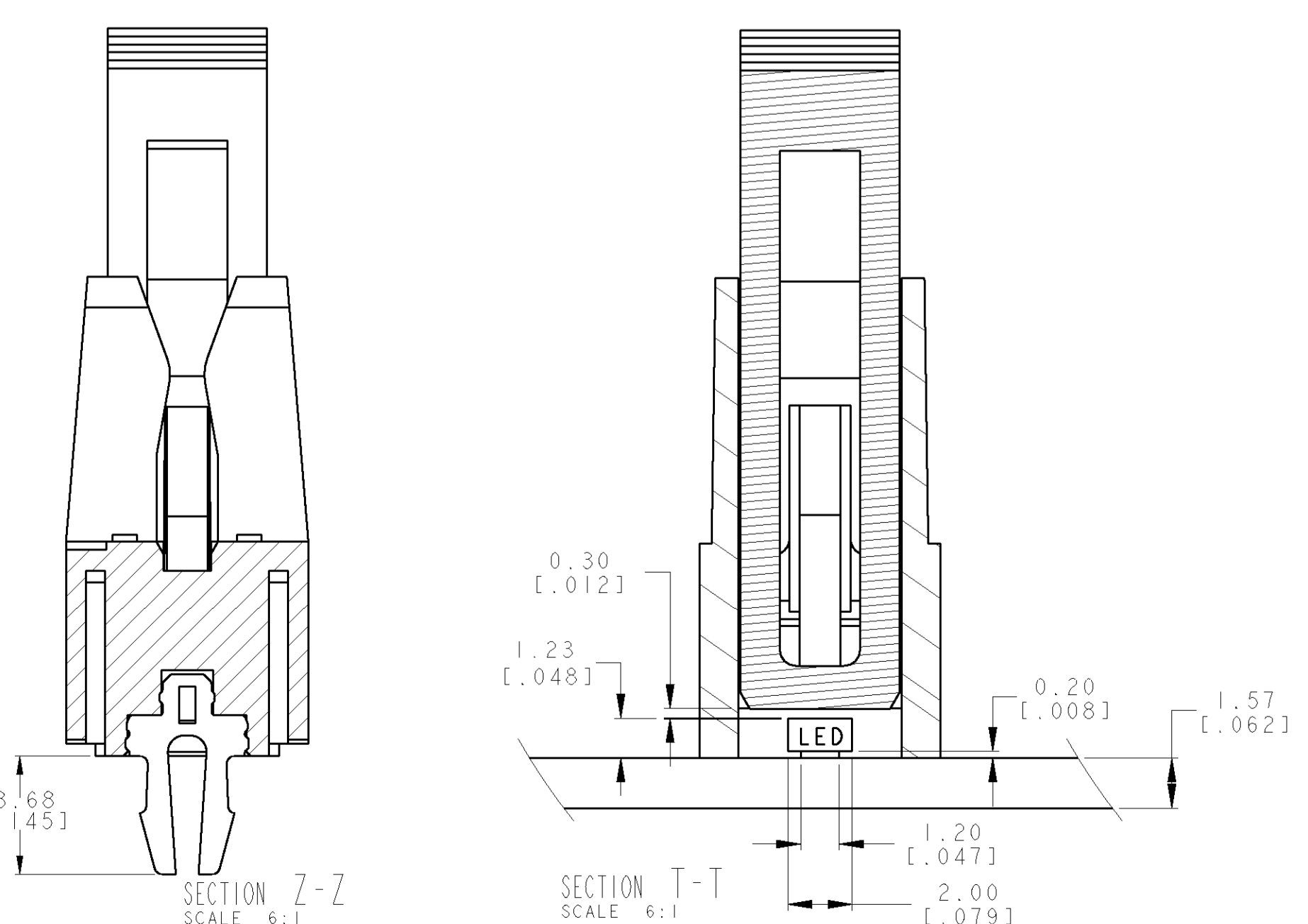
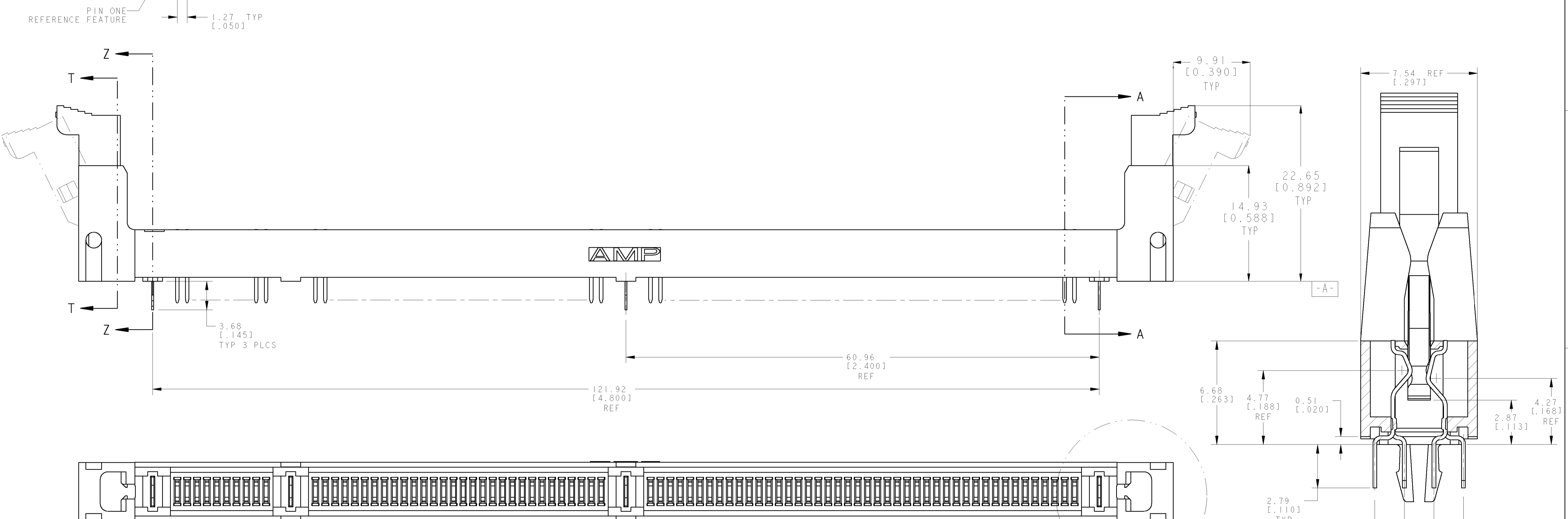
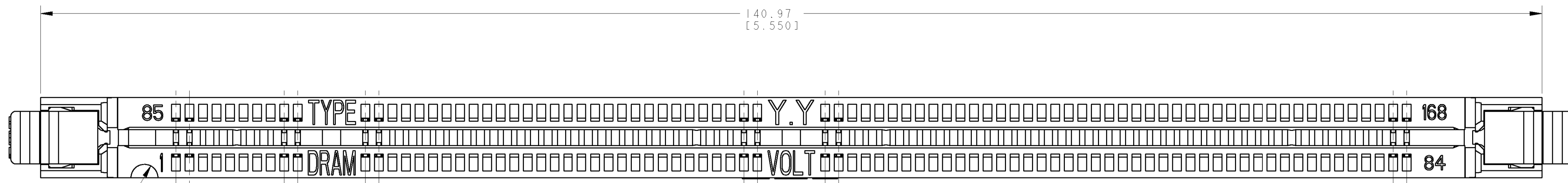
DETAIL B
SCALE 8:1



DETAIL C
SCALE 8:1

<small>THIS DRAWING IS A CONTROLLED DOCUMENT FOR AMP INCORPORATED. ALL CHANGES TO THIS DRAWING MUST BE CONTROLLED BY THE ORGANIZATION THAT ISSUED THIS DRAWING. FOR THE LATEST REVISION.</small>		DWN: W. SORAH 21-AUG-96 ENR: R. TALLEY 21-AUG-96 APD: P. SMITH 21-AUG-96	NAME: SOCKET ASSY, DUAL READ-OUT, VERSION II, 17.78 [1.700], LOCKING EXTRACTORS, 168 POSITION SIZE: A1 CAGE CODE: 00779 DRAWING NO: C=390074
DIMENSIONS: mm [INCHES]	TOLERANCES UNLESS OTHERWISE SPECIFIED: 0 PLC ± 1 PLC ± 2 PLC ±0.13 [1.005] 3 PLC ± 4 PLC ± ANGLES ±	PRODUCT SPEC: APPLICATION SPEC: WEIGHT: CUSTOMER DRAWING	AMP Incorporated Harrisburg, PA 17105-3608 SCALE: 4:1 SHEET: 2 OF 3 REV: 1

LOC	DIST	REV	DATE	BY	APPD
GP	0				
		1			
		2			



SEE DETAIL D

- 1 FOR OPTIMUM PERFORMANCE, CONTACT PAD PLATING SHOULD BE SMOOTH AND FLAT. COPPER CONTACT PADS ARE TO BE OVERPLATED WITH 0.00127 [0.00050] MIN THK NICKEL FOLLOWED WITH 0.00102 [0.00040] MIN THK GOLD PLATING.
- 2 CONTACT MATING AREA: 0.000762 [0.00030] MIN GOLD. SOLDER TAILS: 0.00381 [0.00150] MIN THK TIN-LEAD UNDERPLATE: 0.00127 [0.00050] MIN THK NICKEL OVER ENTIRE CONTACT.
- 3 MATERIAL: HOUSING AND EXTRACTORS: GLASS FILLED, HIGH TEMPERATURE NYLON. CONTACTS: PHOS BRONZE
- 4 EXTRACTOR MATERIAL: POLYSULFONE THERMOPLASTIC. COLOR: NATURAL AMBER

5-390074-6 SHOWN

KEY #1	KEY #2	PART DESCRIPTION	PART NUMBER
DETAIL C	DETAIL A	NON-BUFFERED DRAM, 3.3 VOLT	5-390074-6

<small>THIS DRAWING IS A CONTROLLED DOCUMENT FOR AMP INCORPORATED. ALL CHANGES TO THIS DRAWING AND THE CONTROLLED DOCUMENTATION SHOULD BE CONTACTED FOR THE LATEST REVISION.</small>		DWN: W. SORAH 21-AUG-96 ENR: R. TALLEY 21-AUG-96 APPD: P. SMITH 21-AUG-96	AMP AMP Incorporated Harrisburg, PA 17105-3608
DIMENSIONS: 0 PLC ±, 1 PLC ±, 2 PLC ±, 3 PLC ±, 4 PLC ±, ANGLES ±		NAME: SOCKET ASSY, DUAL READ-OUT, VERSION II, 17.78 [0.700], LOCKING EXTRACTORS, 168 POSITION PRODUCT SPEC: APPLICATION SPEC: WEIGHT: SIZE: A1 CAGE CODE: 00779 DRAWING NO: C=390074	
MATERIAL: FINISH:		CUSTOMER DRAWING SCALE: 4:1 SHEET 3 OF 3 REV	