



Chipsmall Limited consists of a professional team with an average of over 10 year of expertise in the distribution of electronic components. Based in Hongkong, we have already established firm and mutual-benefit business relationships with customers from,Europe,America and south Asia,supplying obsolete and hard-to-find components to meet their specific needs.

With the principle of “Quality Parts,Customers Priority,Honest Operation,and Considerate Service”,our business mainly focus on the distribution of electronic components. Line cards we deal with include Microchip,ALPS,ROHM,Xilinx,Pulse,ON,Everlight and Freescale. Main products comprise IC,Modules,Potentiometer,IC Socket,Relay,Connector.Our parts cover such applications as commercial,industrial, and automotives areas.

We are looking forward to setting up business relationship with you and hope to provide you with the best service and solution. Let us make a better world for our industry!



Contact us

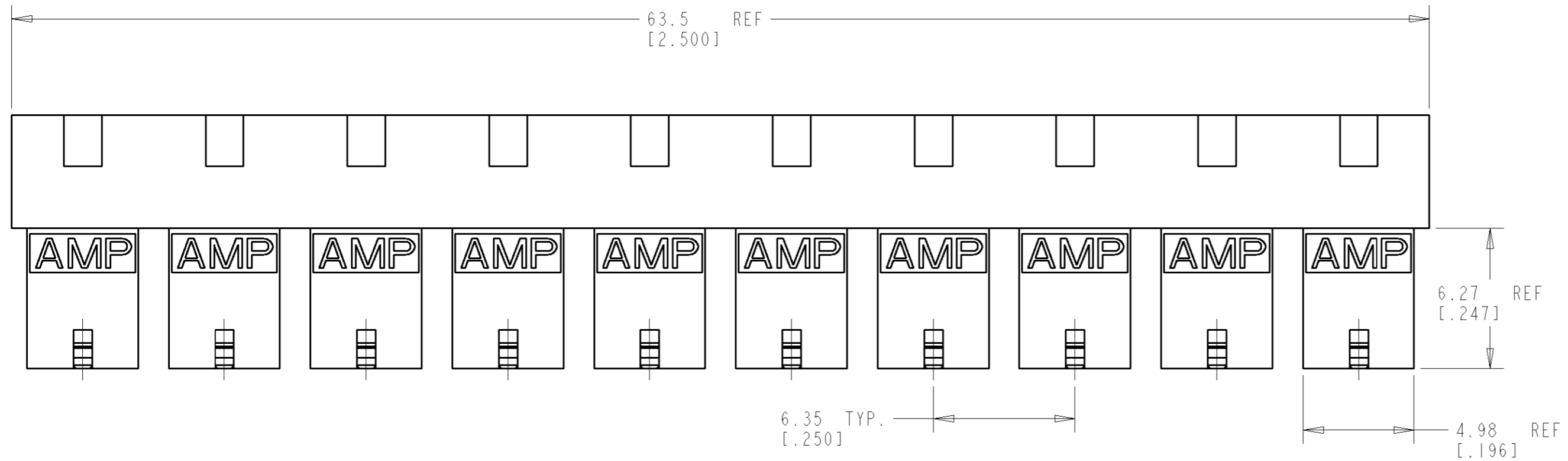
Tel: +86-755-8981 8866 Fax: +86-755-8427 6832

Email & Skype: info@chipsmall.com Web: www.chipsmall.com

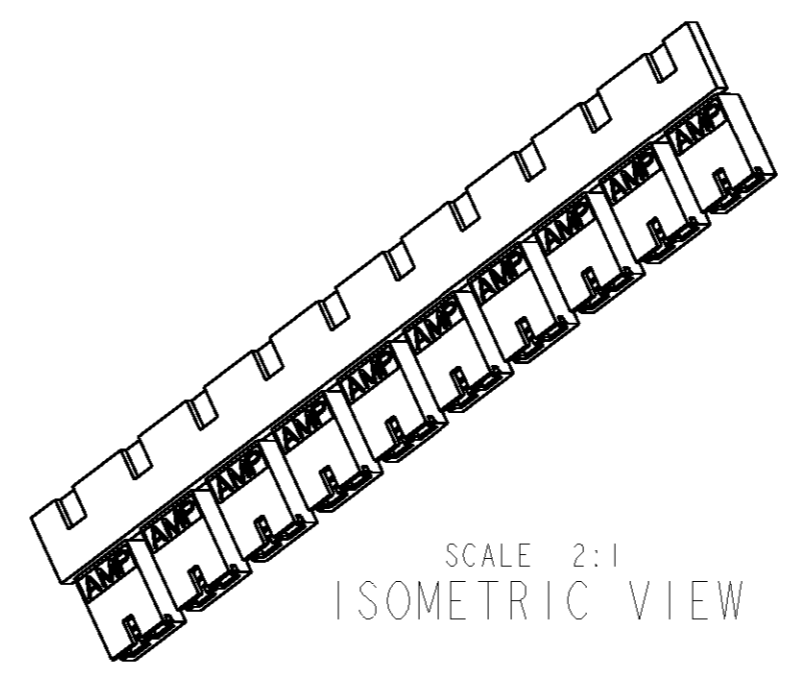
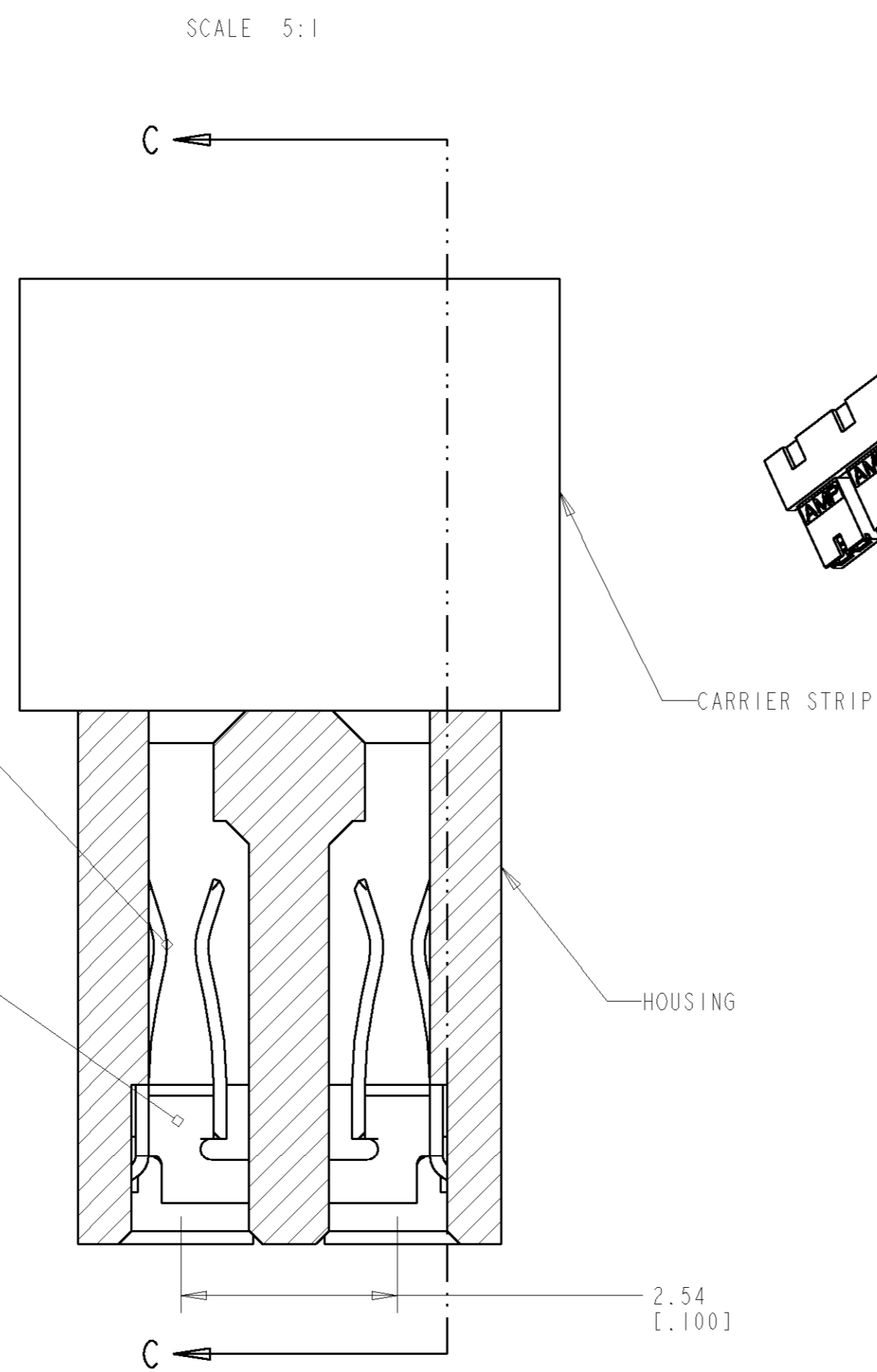
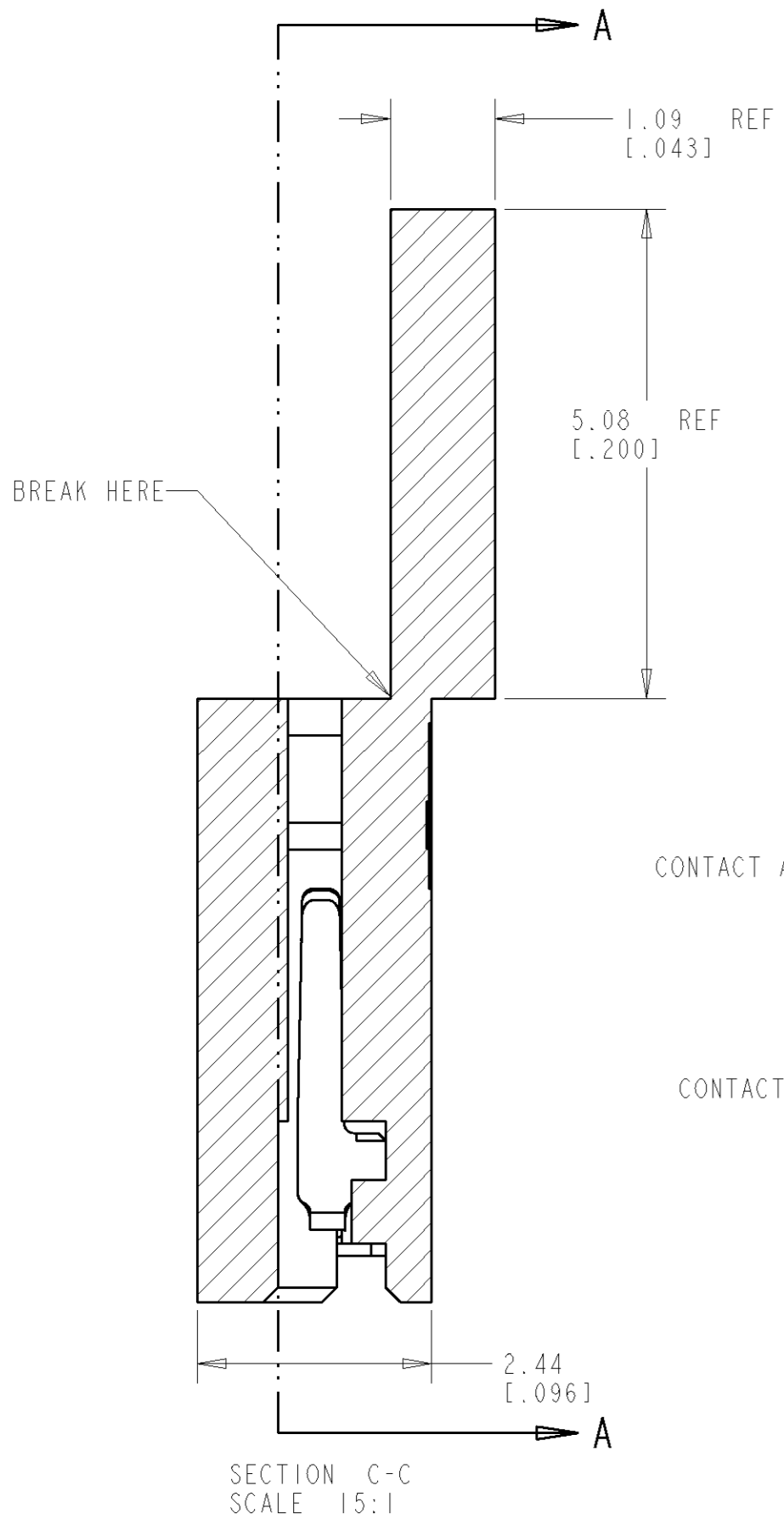
Address: A1208, Overseas Decoration Building, #122 Zhenhua RD., Futian, Shenzhen, China



LOC	DIST	REVISIONS					
AG	53	P	LTR	DESCRIPTION	DATE	DWN	APVD
		A2		REVISED PER ECO-11-005140	19APR11	RK	HMR



- MATERIAL:
HOUSING: GLASS-FILLED POLYESTER
CONTACT: PHOSPHOR BRONZE
 - CONNECTOR MATES WITH 0.64 [0.025] SQUARE POSTS.
 - PART DENOTES INDIVIDUAL TWO POSITION SHUNT WHICH IS PACKAGED ON BREAKAWAY COMBS OF TEN SHUNTS.
- 4 ASSEMBLIES ARE DELIVERED IN STICKS OF TEN PARTS.
 - 5 FINISH: 1.27µm [0.000050] MIN NICKEL UNDERPLATE OVERALL.
 - 6 FINISH: 0.76µm [0.000030] MIN GOLD IN CONTACT AREA.
 - 7 FINISH: 0.38µm [0.000015] MIN GOLD IN CONTACT AREA.
 - 8 OBSOLETE PARTS: OBSOLETE CIS STREAMLINING PER D.RENAUD/D.SINISI



8 OBSOLETE	YELLOW	30AU	390088-5	4	5	6
	BLUE	15AU	390088-4	4	5	7
	BLUE	30AU	390088-3	4	5	6
	BLACK	15AU	390088-2	4	5	7
	BLACK	30AU	390088-1	4	5	6
	HOUSING COLOR	GOLD PLATING	PART NUMBER	NOTES		

DIMENSIONS: MM [INCH]		TOLERANCES UNLESS OTHERWISE SPECIFIED:		DWN: D. WIEBKING	22-Sep-99		
SEE NOTE 1		SEE NOTE 3		CHK: DGH	14-NOV-97		
MATERIAL: -		FINISH: -		APVD: PPS	14-NOV-97	NAME: SHUNT, DUAL BEAM .100 CL	
CUSTOMER DRAWING		SCALE: SHT		WEIGHT: -		SIZE: A2	CAGE CODE: 00779
				DRAWING NO: 390088		DRAWING NO: 390088	
				SHEET: 1		REV: A2	