



Chipsmall Limited consists of a professional team with an average of over 10 year of expertise in the distribution of electronic components. Based in Hongkong, we have already established firm and mutual-benefit business relationships with customers from,Europe,America and south Asia,supplying obsolete and hard-to-find components to meet their specific needs.

With the principle of "Quality Parts,Customers Priority,Honest Operation,and Considerate Service",our business mainly focus on the distribution of electronic components. Line cards we deal with include Microchip,ALPS,ROHM,Xilinx,Pulse,ON,Everlight and Freescale. Main products comprise IC,Modules,Potentiometer,IC Socket,Relay,Connector.Our parts cover such applications as commercial,industrial, and automotives areas.

We are looking forward to setting up business relationship with you and hope to provide you with the best service and solution. Let us make a better world for our industry!



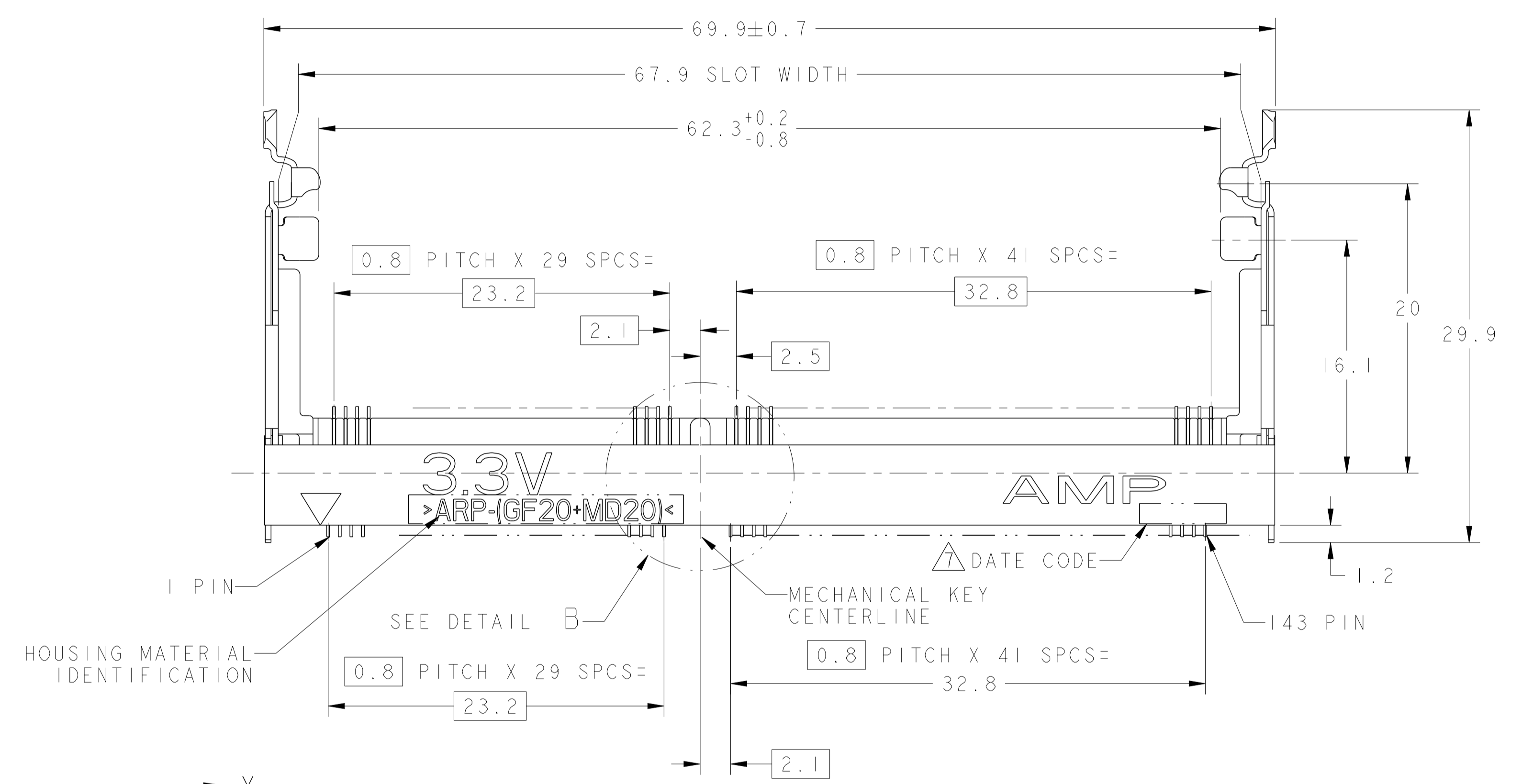
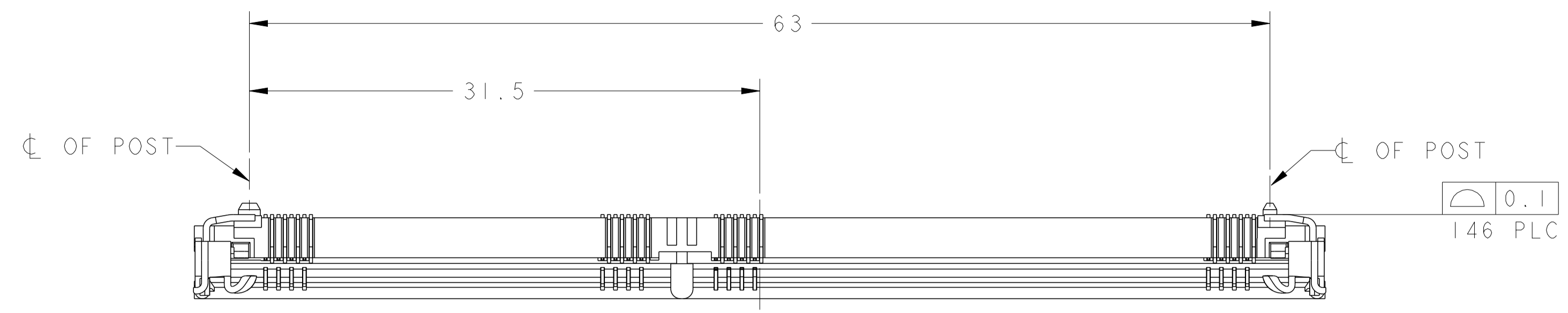
Contact us

Tel: +86-755-8981 8866 Fax: +86-755-8427 6832

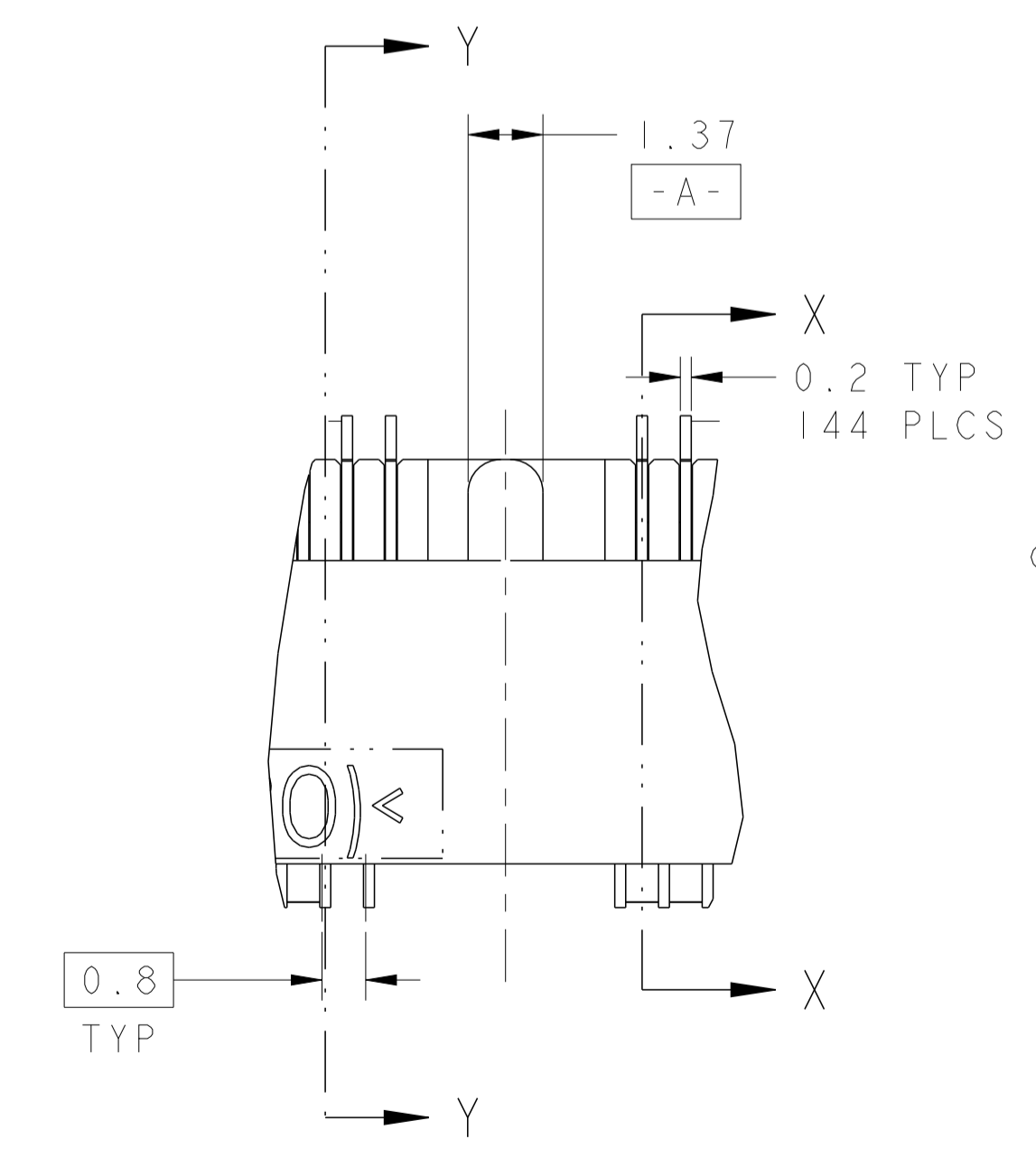
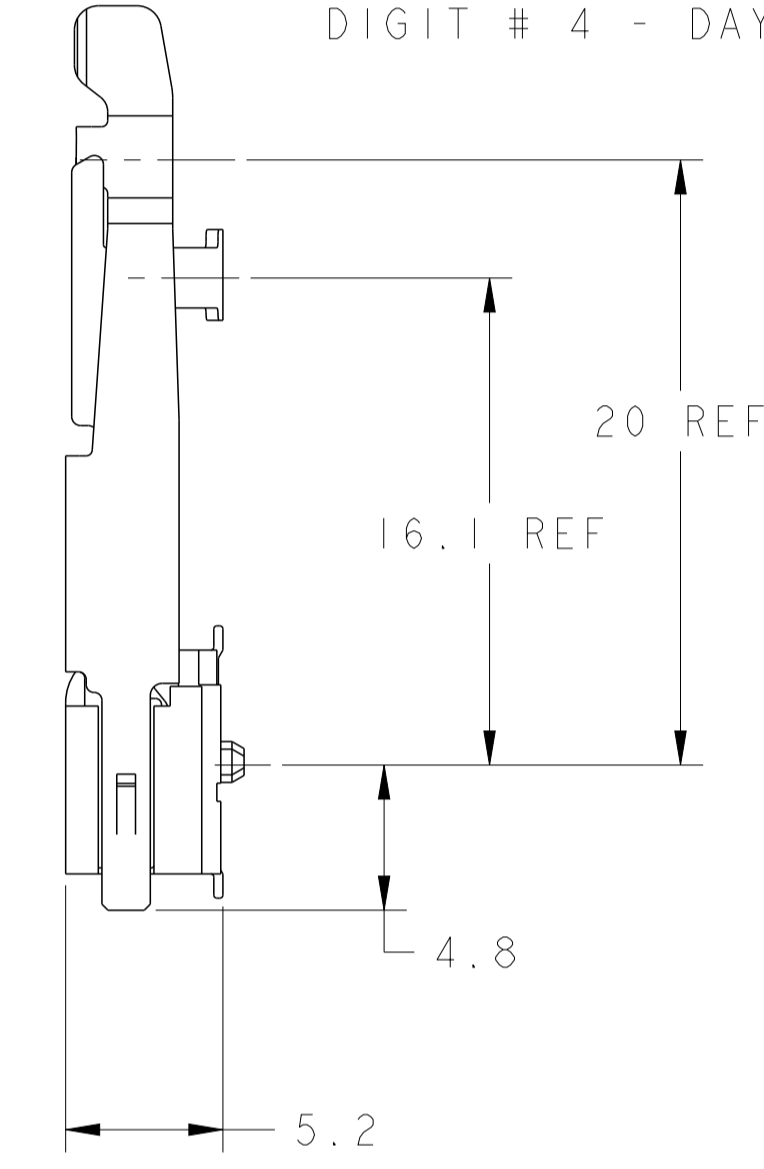
Email & Skype: info@chipsmall.com Web: www.chipsmall.com

Address: A1208, Overseas Decoration Building, #122 Zhenhua RD., Futian, Shenzhen, China

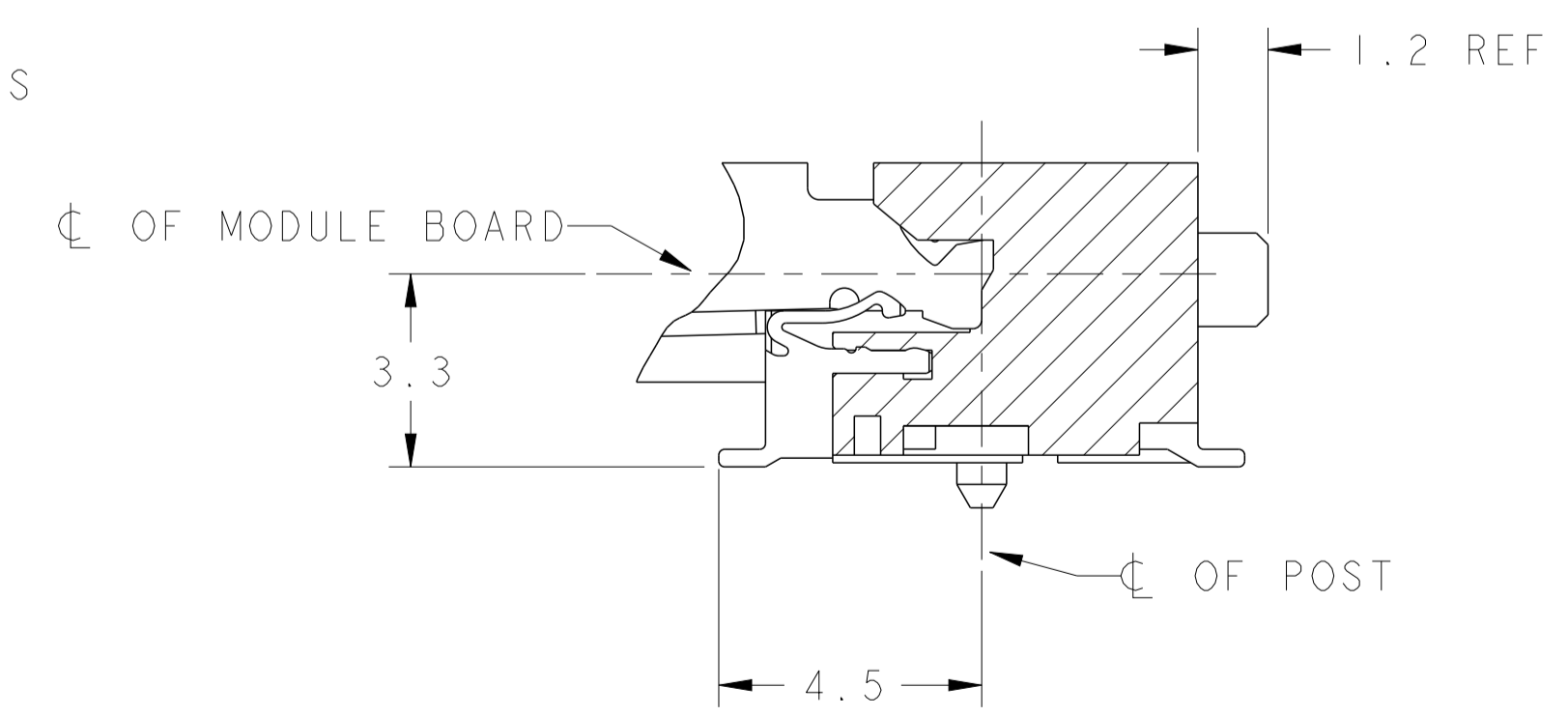




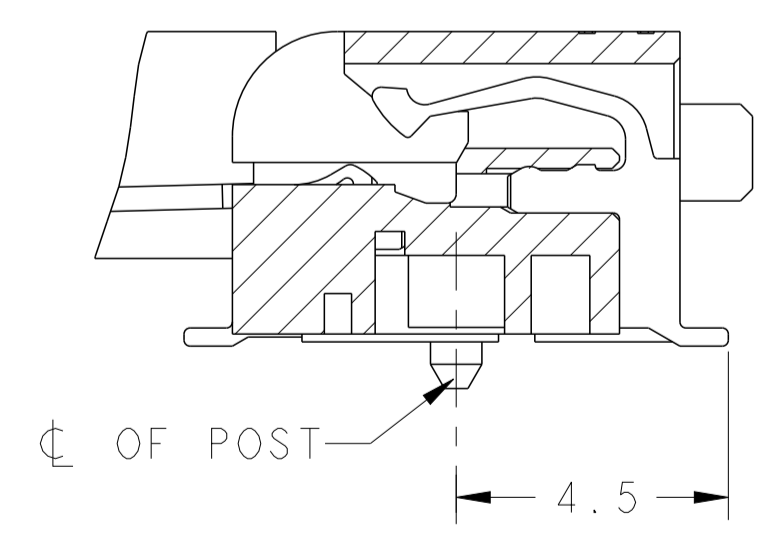
- 1 MATERIAL:
HOUSING: HIGH TEMPERATURE PLASTIC, UL94V-0, NAT.
CONTACT: COPPER ALLOY
LATCH: SUS301 STAINLESS STEEL PLATING.
- 2 FINISH; CONTACT AREA: 0.00025 MIN GOLD PLATE ON 0.001 MIN ALL OVER NICKEL
SOLDERING AREA: 0.00005 MIN TO 0.00030 MAX GOLD PLATE.
- 3. TOLERANCES NON-ACCUMULATIVE.
- 4 PACKAGED 12 PIECES PER HARD TRAY.
- 5 FINISH; CONTACT AREA: 0.00025 MIN GOLD PLATE ON 0.001 MIN ALL OVER NICKEL
SOLDERING AREA: BRIGHT TIN LEAD PLATE.
- 6 PART PACKAGED PER EIA-1875 STANDARD. REEL DIAMETER SHALL BE 330mm. TAPE WIDTH SHALL BE 88mm AND TAPE PITCH SHALL BE 36mm.
- 7 DATE CODE (4-DIGITS), LOCATED AS SHOWN. TO BE INTERPRETED AS FOLLOWS:
DIGIT # 1 - LAST DIGIT OF YEAR.
DIGITS # 2 AND # 3 - CALENDAR WEEK.
DIGIT # 4 - DAY OF THE WEEK (WITH SUNDAYS AS DAY 1).



DETAIL B
SCALE 8:1



SECTION X-X
ROTATED 90° CCW
SCALE 8:1



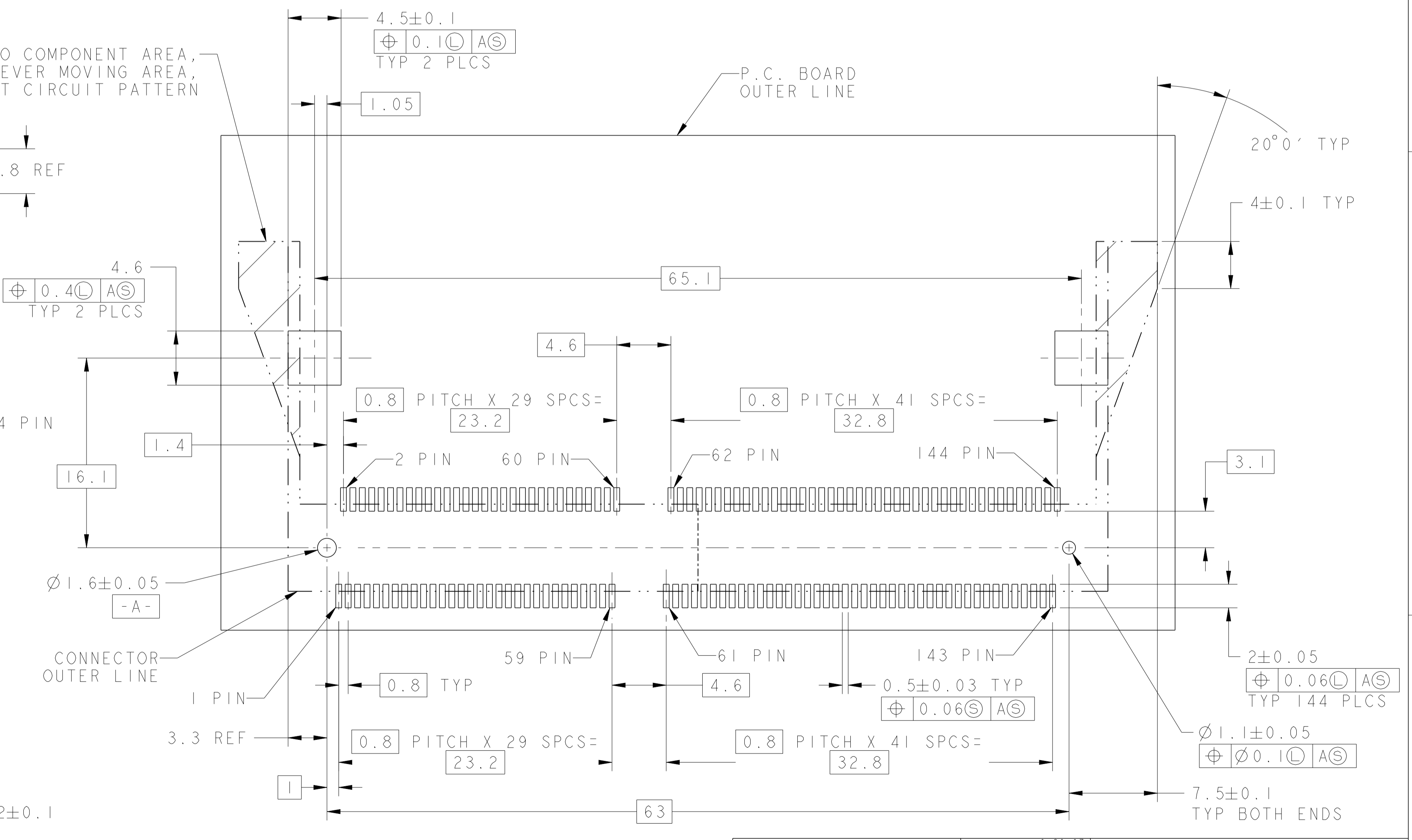
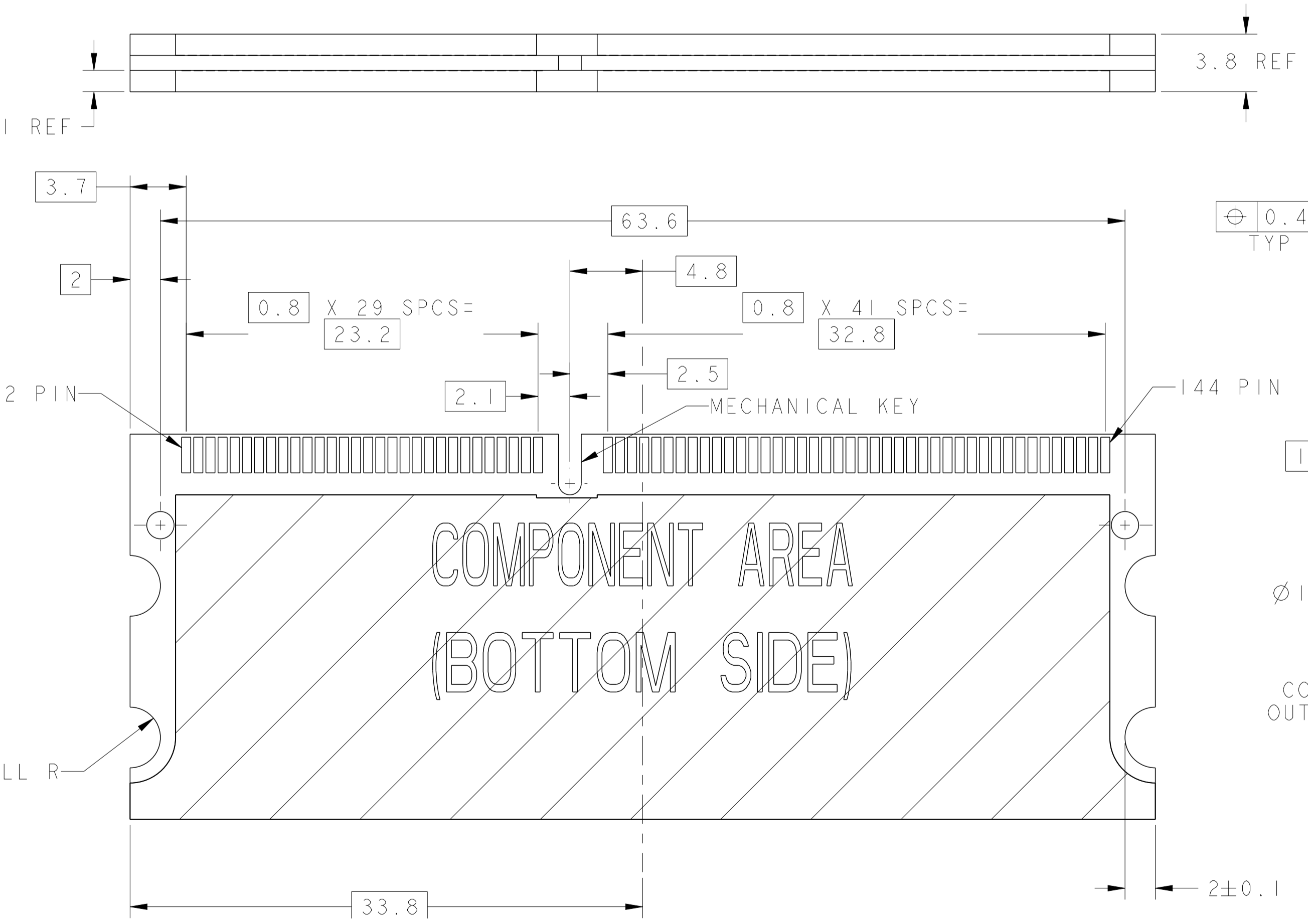
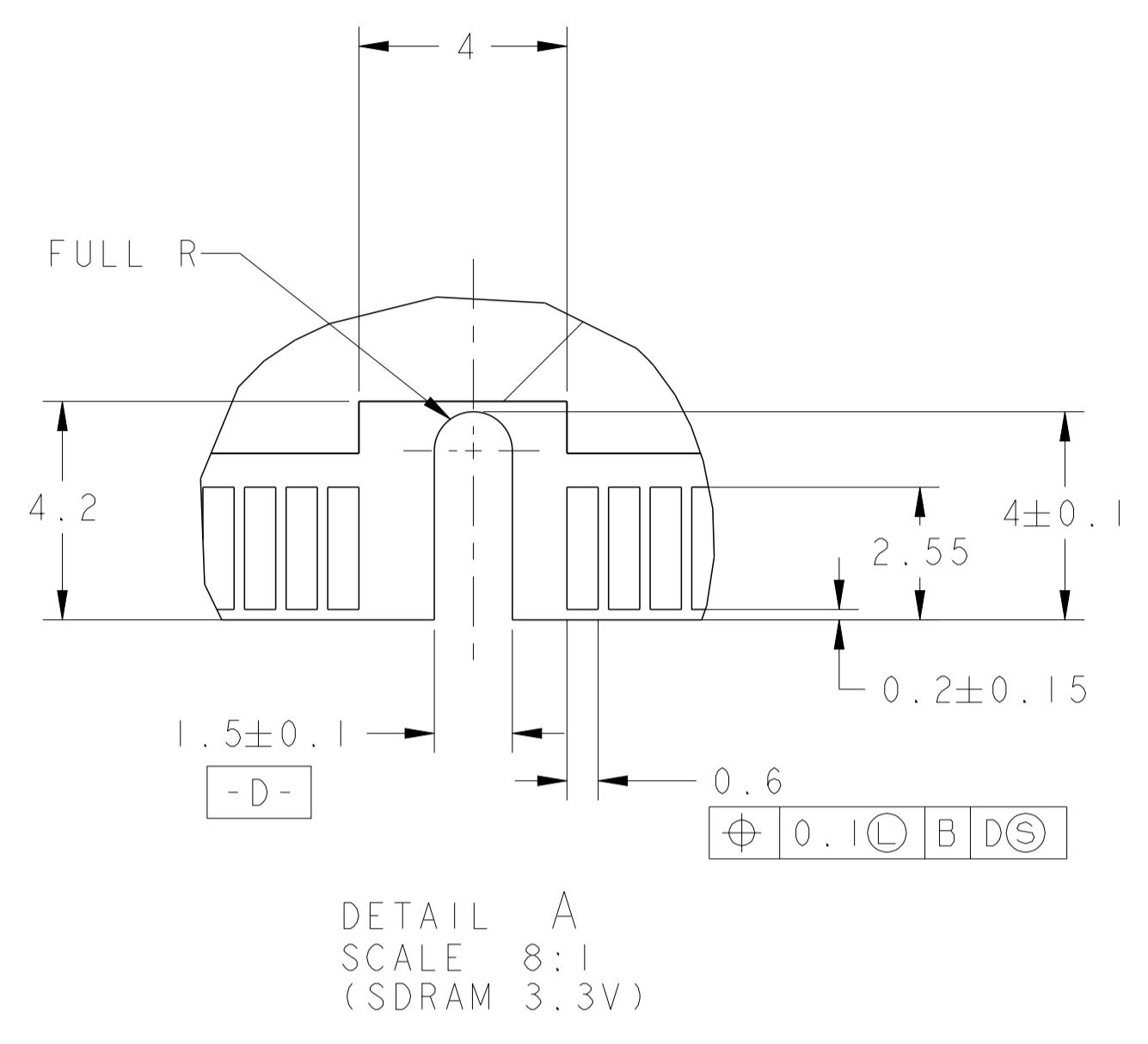
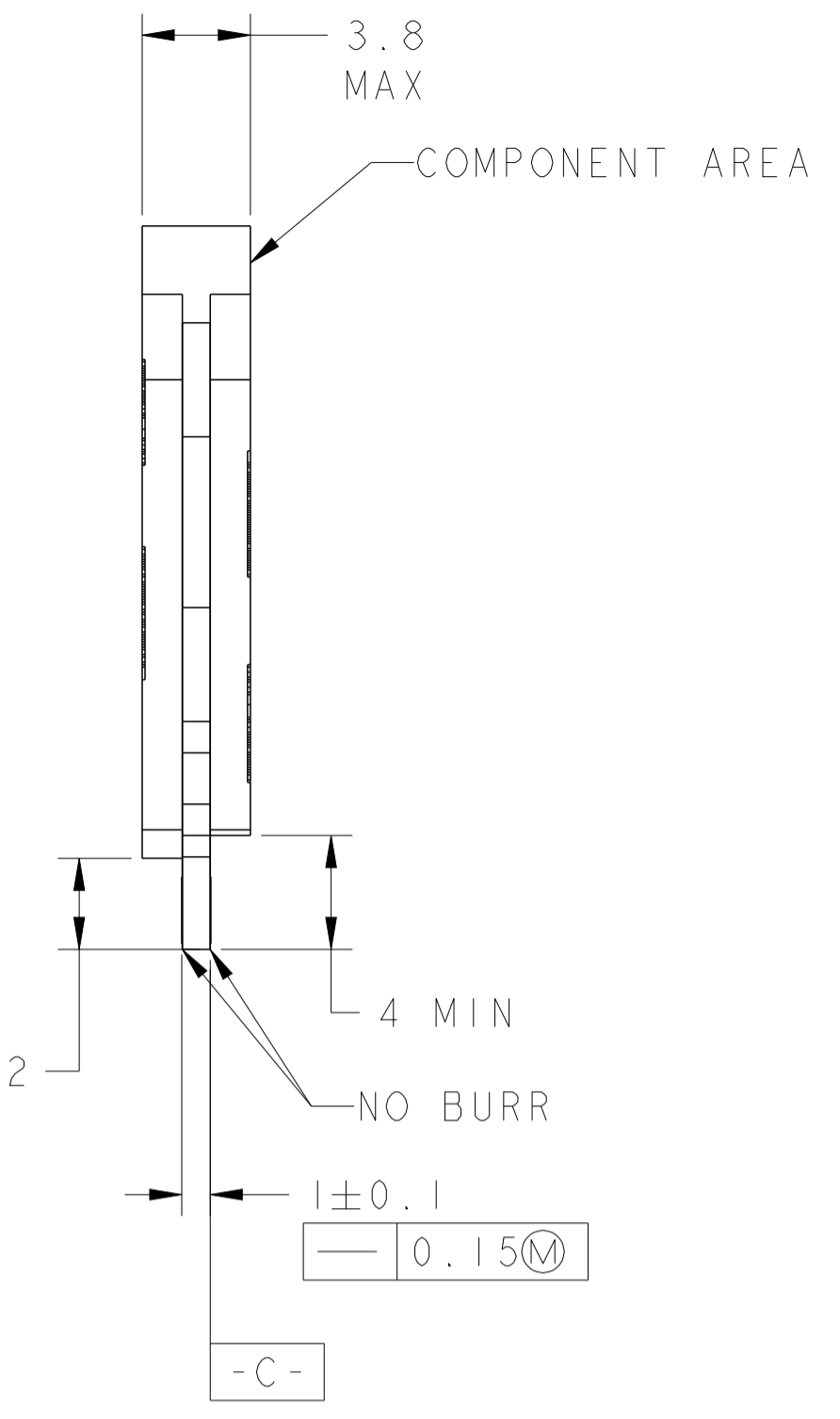
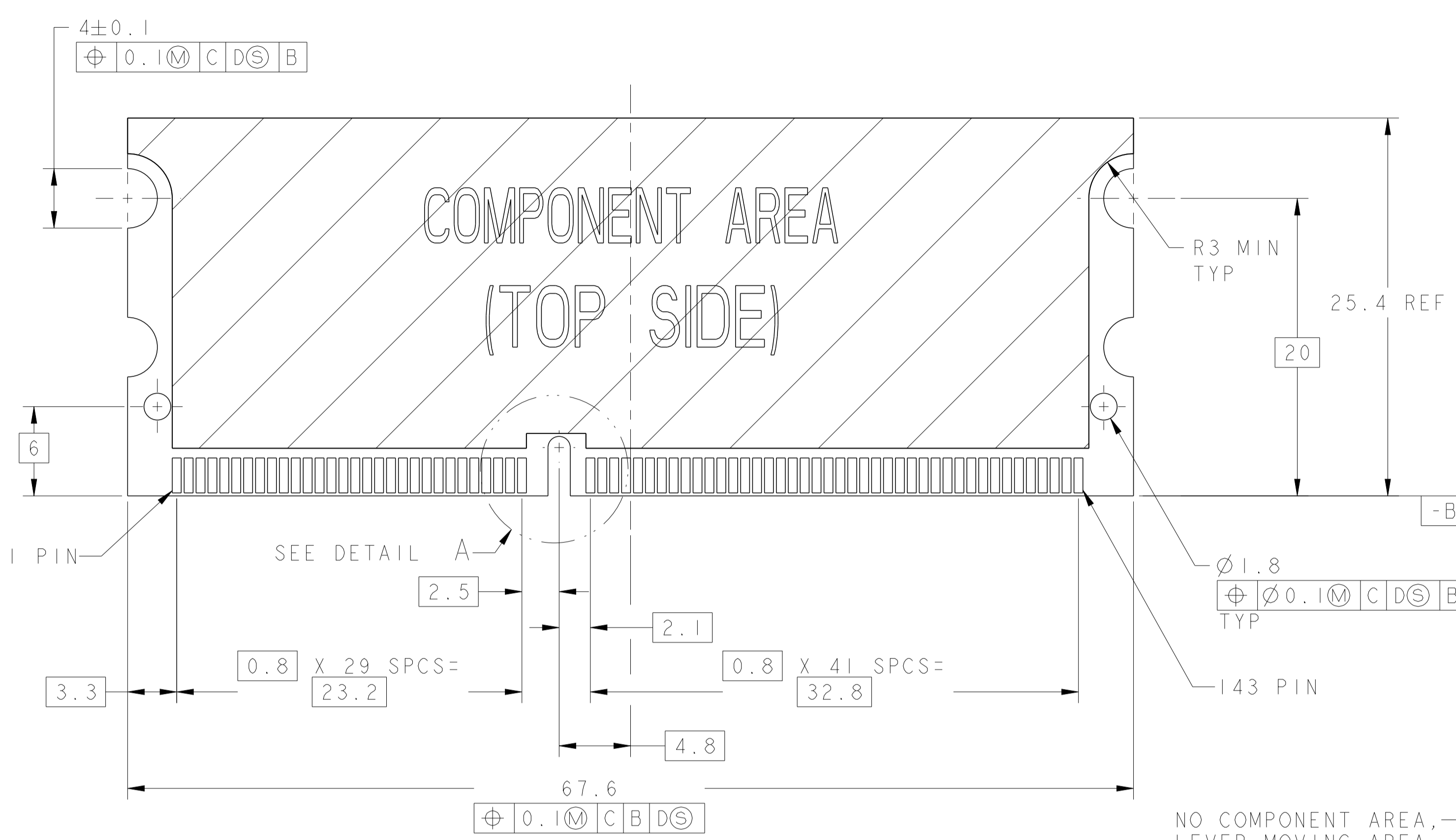
SECTION Y-Y
ROTATED 90° CCW
SCALE 8:1

| | | | | | | |
|---------------|---------------|--------|--------------|-----|-------------|---|
| NIL | AVAILABLE | 2 | DRAM 3.3V | 144 | 6-390113-1 | 6 |
| 3-390113-1 | NOT AVAILABLE | 5 | DRAM 3.3V | 144 | 3-390113-4 | 4 |
| NIL | AVAILABLE | 2 | DRAM 3.3V | 144 | 3-390113-1 | 4 |
| 390113-1 | NOT AVAILABLE | 5 | DRAM 3.3V | 144 | 390113-4 | |
| NIL | AVAILABLE | 2 | DRAM 3.3V | 144 | 390113-1 | |
| SUPERSEDED BY | REMARKS | FINISH | POWER SUPPLY | POS | PART NUMBER | |

| | | | | | | | | | |
|----------------|--|--|--|---|--|--------------------|--|--|--|
| DIMENSIONS: mm | | TOLERANCES UNLESS OTHERWISE SPECIFIED: | | DWG: W. SORAH 6-20-97 CHK: R. TALLEY 6-20-97 | | APPROVED: SE LEONG | | NAME: S.O. DIMM SOCKET, 0.8mm PITCH, 3.3V, 144 POSITION, STD PROFILE FOR SDRAM TYPE MODULE | |
| MATERIAL | | FINISH | | APPROVALS | | PRODUCT SPEC | | RESTRICTED TO | |
| SEE TABLE | | SEE TABLE | | 108-1739 | | APPLICATION SPEC | | SCALE: 4:1 | |
| | | | | 114-1114 | | WEIGHT | | SHEET 1 OF 2 | |
| | | | | CUSTOMER DRAWING | | DRAWING NO: 00779 | | REV M1 | |



TE Connectivity



| | | | | | | | | | | | |
|----------------|------|--|------|-------------------------|------|------------------------|------|--------------------|------|--|---|
| DIMENSIONS: mm | | TOLERANCES UNLESS OTHERWISE SPECIFIED: | | DRAWN: W. SORAH 6-20-97 | | CHK: R. TALLEY 6-20-97 | | APPROVED: SE LEONG | | NAME: S.O. DIMM SOCKET, 0.8mm PITCH, 3.3V, 144 POSITION, STD PROFILE FOR SDRAM TYPE MODULE | |
| 0 PLC | ±0.2 | 1 PLC | ±0.2 | 2 PLC | ±0.2 | 3 PLC | ±0.2 | 4 PLC | ±0.2 | ANGLES | ± |
| MATERIAL | | FINISH | | WEIGHT | | CAGE CODE | | DRAWING NO. | | RESTRICTED TO | |
| | | SEE TABLE | | | | 114-1114 | | 00779 | | A | |
| | | | | CUSTOMER DRAWING | | | | SCALE 4:1 | | SHEET 2 OF 2 | |