



Chipsmall Limited consists of a professional team with an average of over 10 year of expertise in the distribution of electronic components. Based in Hongkong, we have already established firm and mutual-benefit business relationships with customers from,Europe,America and south Asia,supplying obsolete and hard-to-find components to meet their specific needs.

With the principle of "Quality Parts,Customers Priority,Honest Operation,and Considerate Service",our business mainly focus on the distribution of electronic components. Line cards we deal with include Microchip,ALPS,ROHM,Xilinx,Pulse,ON,Everlight and Freescale. Main products comprise IC,Modules,Potentiometer,IC Socket,Relay,Connector.Our parts cover such applications as commercial,industrial, and automotives areas.

We are looking forward to setting up business relationship with you and hope to provide you with the best service and solution. Let us make a better world for our industry!



Contact us

Tel: +86-755-8981 8866 Fax: +86-755-8427 6832

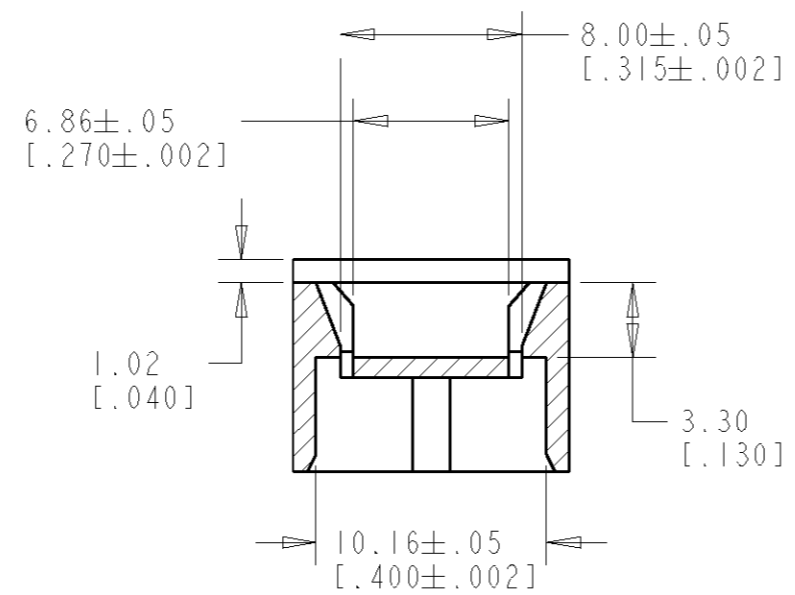
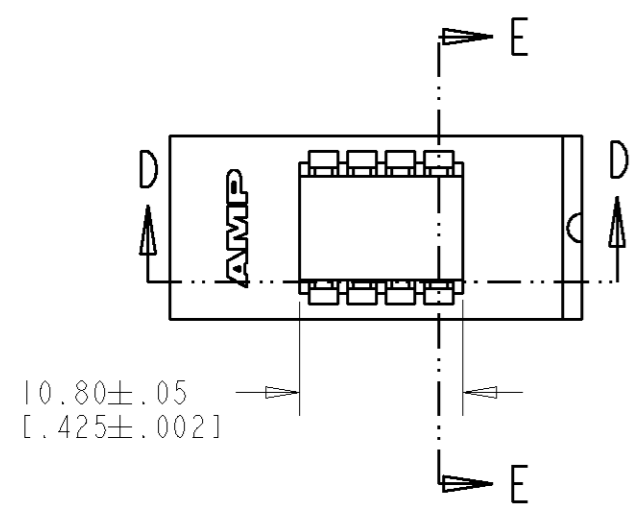
Email & Skype: info@chipsmall.com Web: www.chipsmall.com

Address: A1208, Overseas Decoration Building, #122 Zhenhua RD., Futian, Shenzhen, China



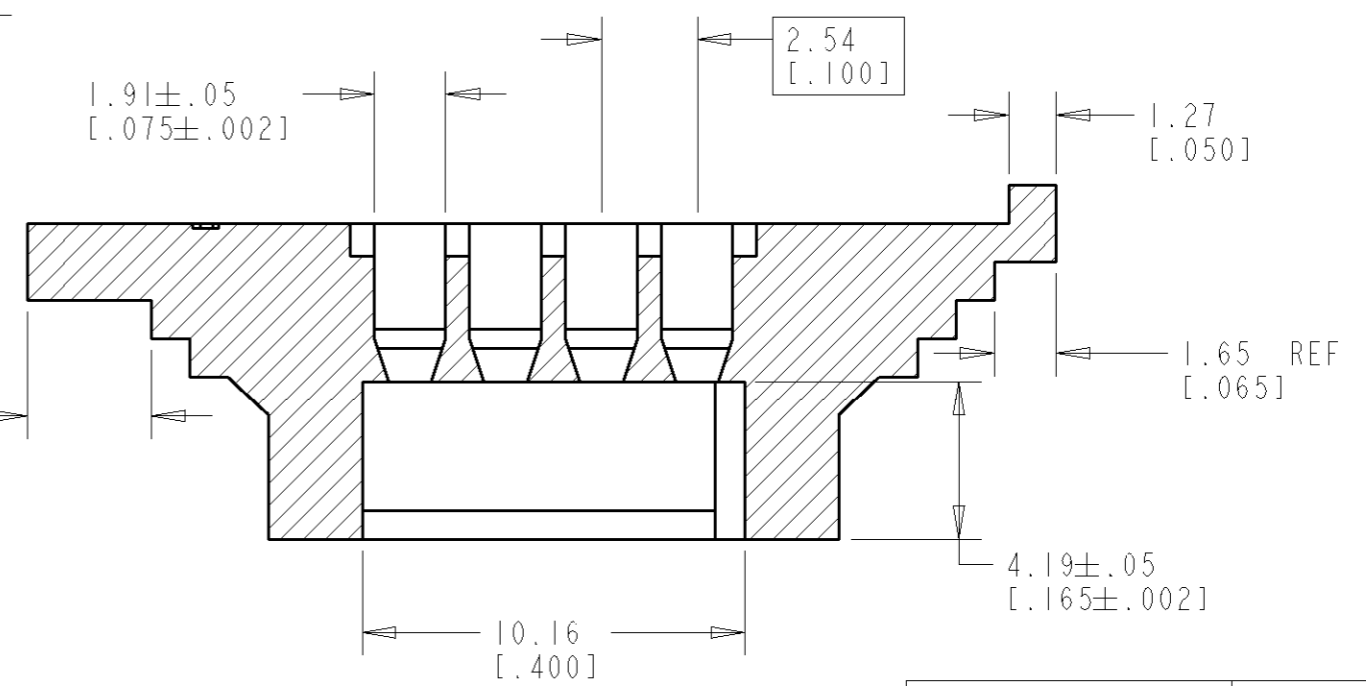
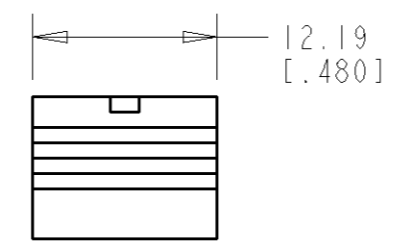
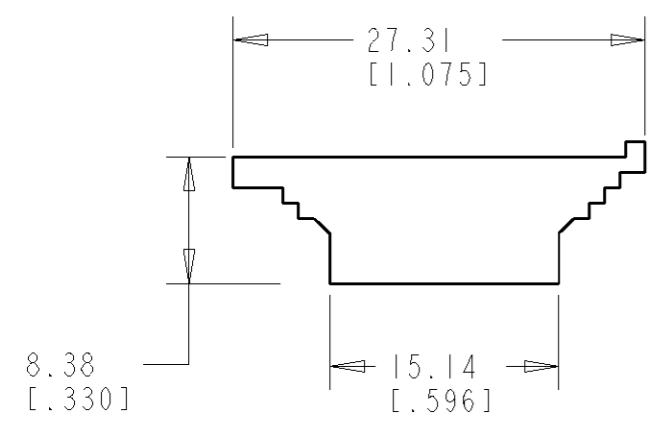
THIS DRAWING IS UNPUBLISHED. RELEASED FOR PUBLICATION .19
 © COPYRIGHT 19 BY AMP INCORPORATED. ALL RIGHTS RESERVED.

LOC	DIST	REVISIONS			
P	LTR	DESCRIPTION	DATE	DWN	APVD
FT	61	A	REV PER OG3C-0001-01	15JAN01	RB KW
		B	REV PER OG3C-0024-02	23APR02	RB JO

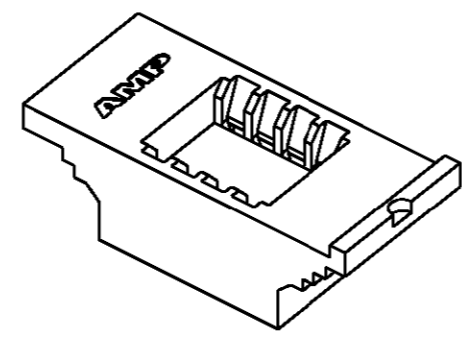


SECTION E-E
SCALE 3:1

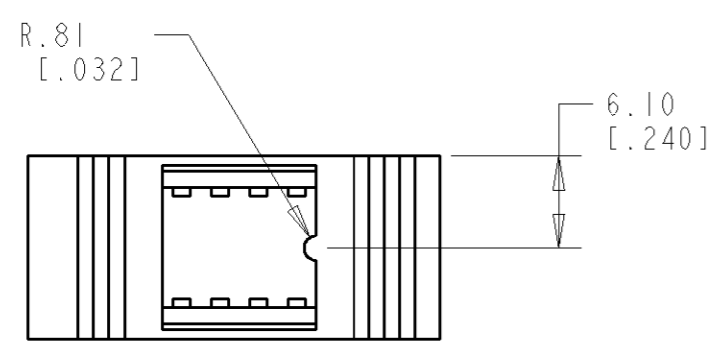
- DIP CARRIER TO BE ADHESIVELY BONDED TO CARRIER BY CUSTOMER.
- MATERIAL: 30% GLASS-FILLED PBT.
- DESIGNED FOR FORMED LEADER DIPS ONLY.



SECTION D-D
SCALE 5:1



8	390280-1
NO. OF POSITIONS	PART NUMBER



THIS DRAWING IS A CONTROLLED DOCUMENT FOR AMP INCORPORATED. IT IS SUBJECT TO CHANGE AND THE CONTROLLING ENGINEERING ORGANIZATION SHOULD BE CONTACTED FOR THE LATEST REVISION.		DWN L.A. McEACHIN 06MAY99	AMP AMP Incorporated Harrisburg, PA 17105-3608
DIMENSIONS: mm [INCHES]		CHK G.S. RIDGILL 06MAY99	
TOLERANCES UNLESS OTHERWISE SPECIFIED:		APVD G.S. RIDGILL 06MAY99	NAME PLASTIC CARRIER FOR 8 POSITION DUAL IN-LINE PACKAGE
0 PLC ± 1 PLC ±0.1 2 PLC ±0.02 3 PLC ±0.005 4 PLC ±0.0005 ANGLES ±		PRODUCT SPEC -	APPLICATION SPEC -
MATERIAL	FINISH	WEIGHT -	SIZE A3
= 2		CAGE CODE 00779	
CUSTOMER DRAWING		DRAWING NO C-390280	
SCALE 2:1		RESTRICTED TO -	
SHEET 1		OF 1	
REV B			