



Chipsmall Limited consists of a professional team with an average of over 10 year of expertise in the distribution of electronic components. Based in Hongkong, we have already established firm and mutual-benefit business relationships with customers from,Europe,America and south Asia,supplying obsolete and hard-to-find components to meet their specific needs.

With the principle of "Quality Parts,Customers Priority,Honest Operation,and Considerate Service",our business mainly focus on the distribution of electronic components. Line cards we deal with include Microchip,ALPS,ROHM,Xilinx,Pulse,ON,Everlight and Freescale. Main products comprise IC,Modules,Potentiometer,IC Socket,Relay,Connector.Our parts cover such applications as commercial,industrial, and automotives areas.

We are looking forward to setting up business relationship with you and hope to provide you with the best service and solution. Let us make a better world for our industry!



Contact us

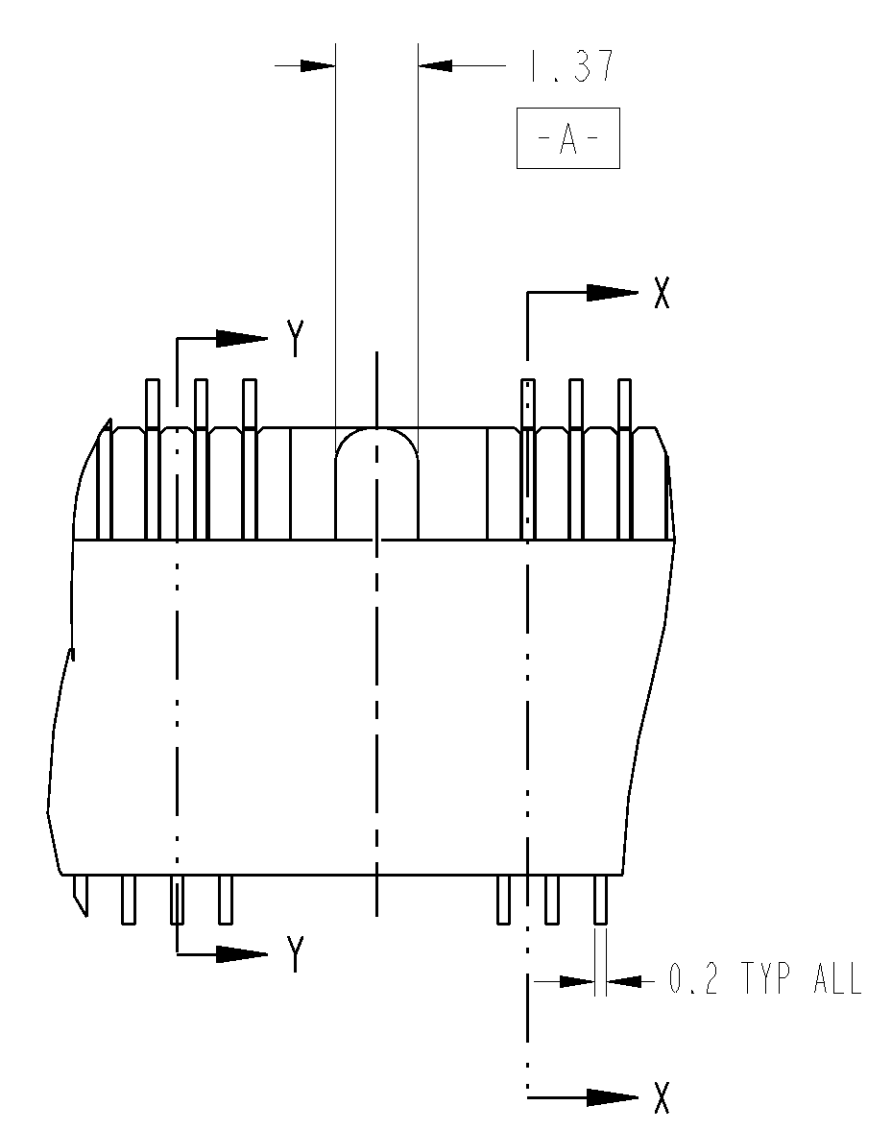
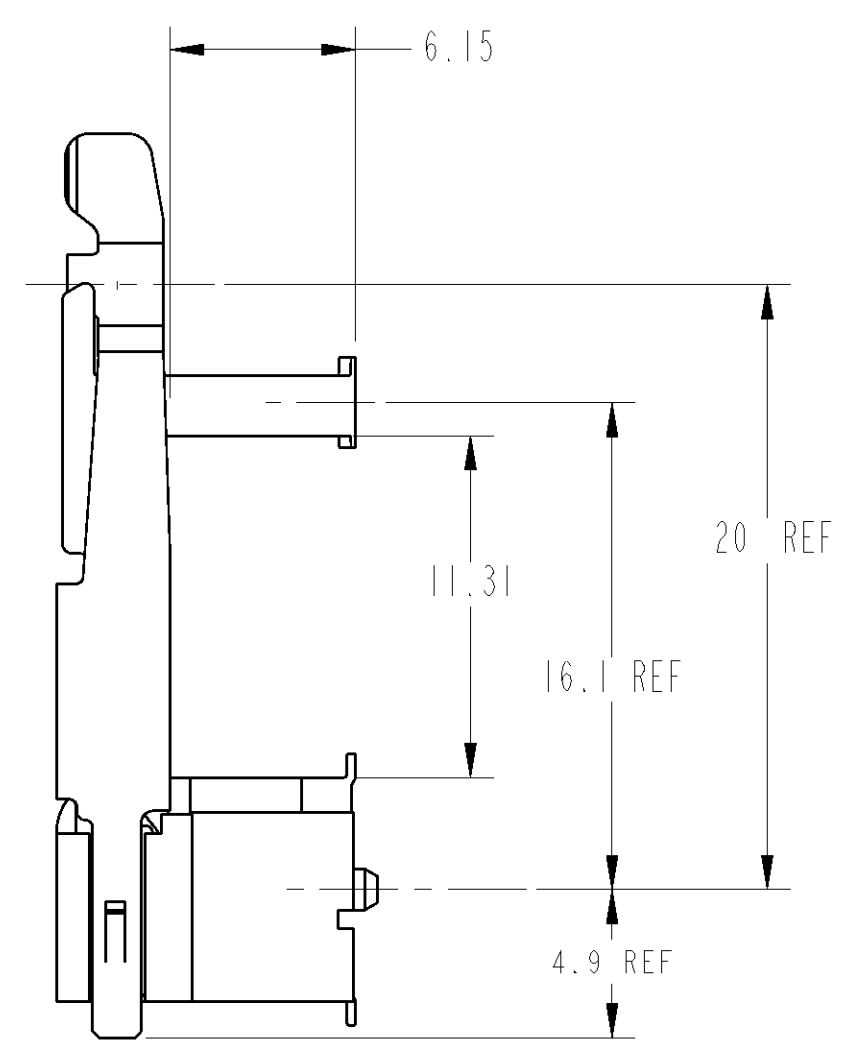
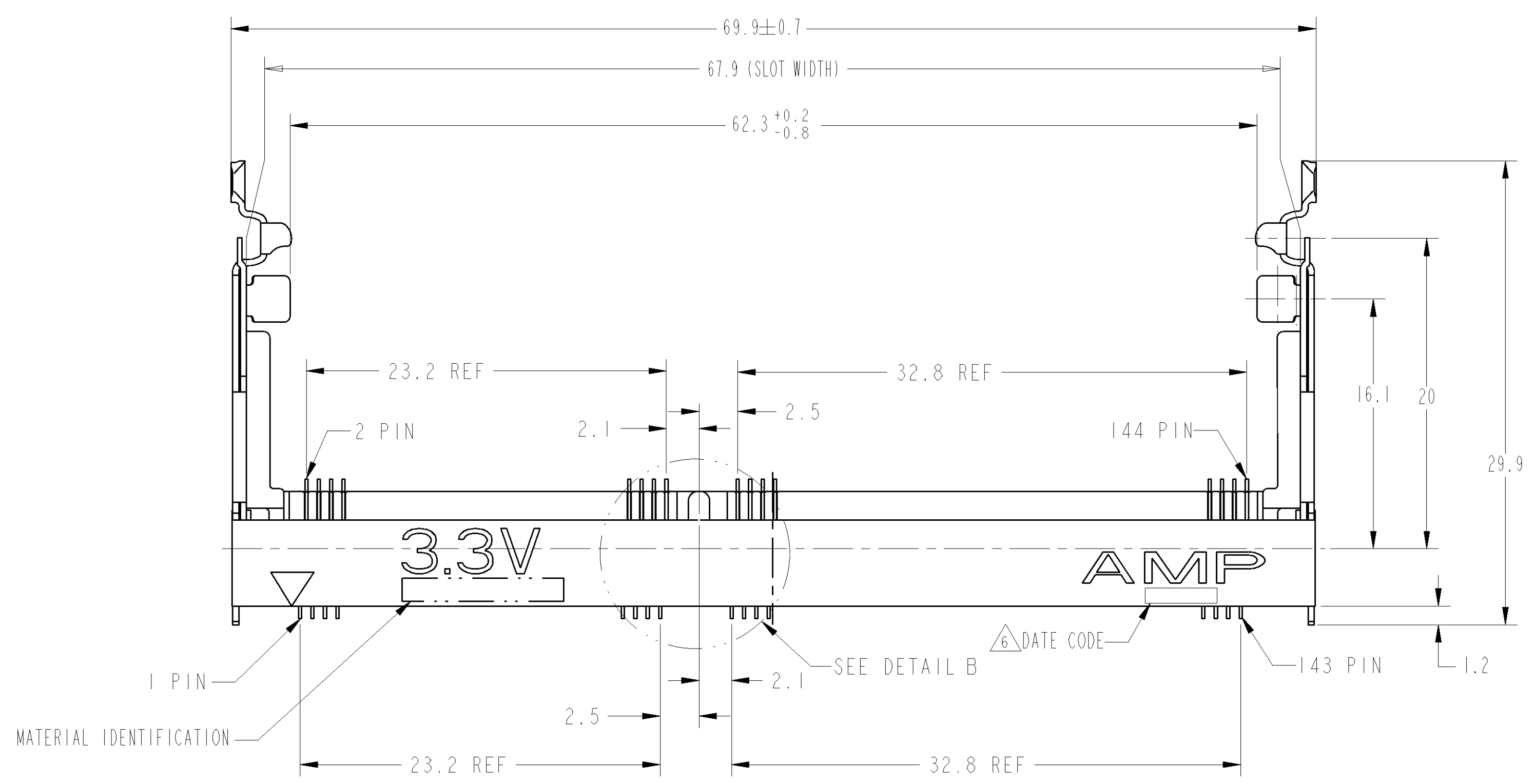
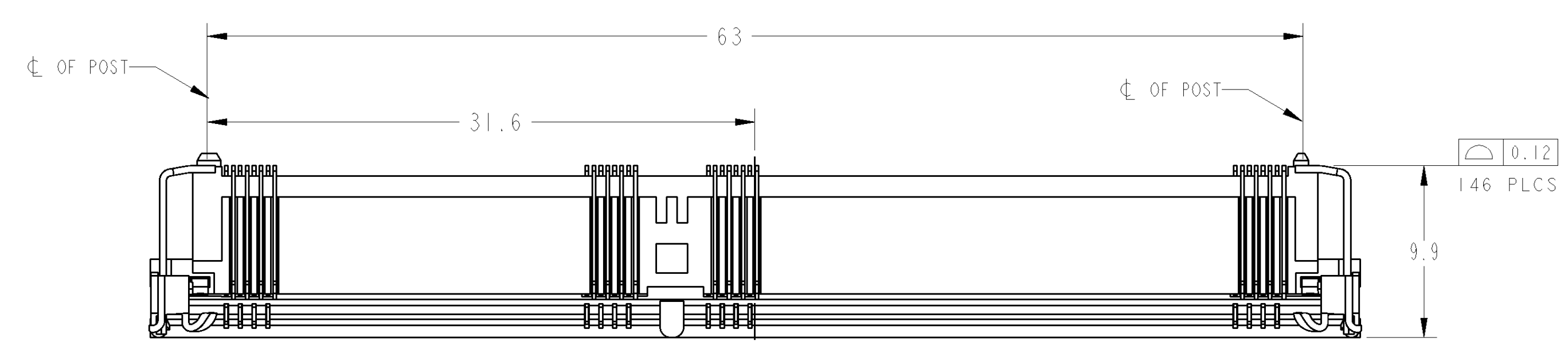
Tel: +86-755-8981 8866 Fax: +86-755-8427 6832

Email & Skype: info@chipsmall.com Web: www.chipsmall.com

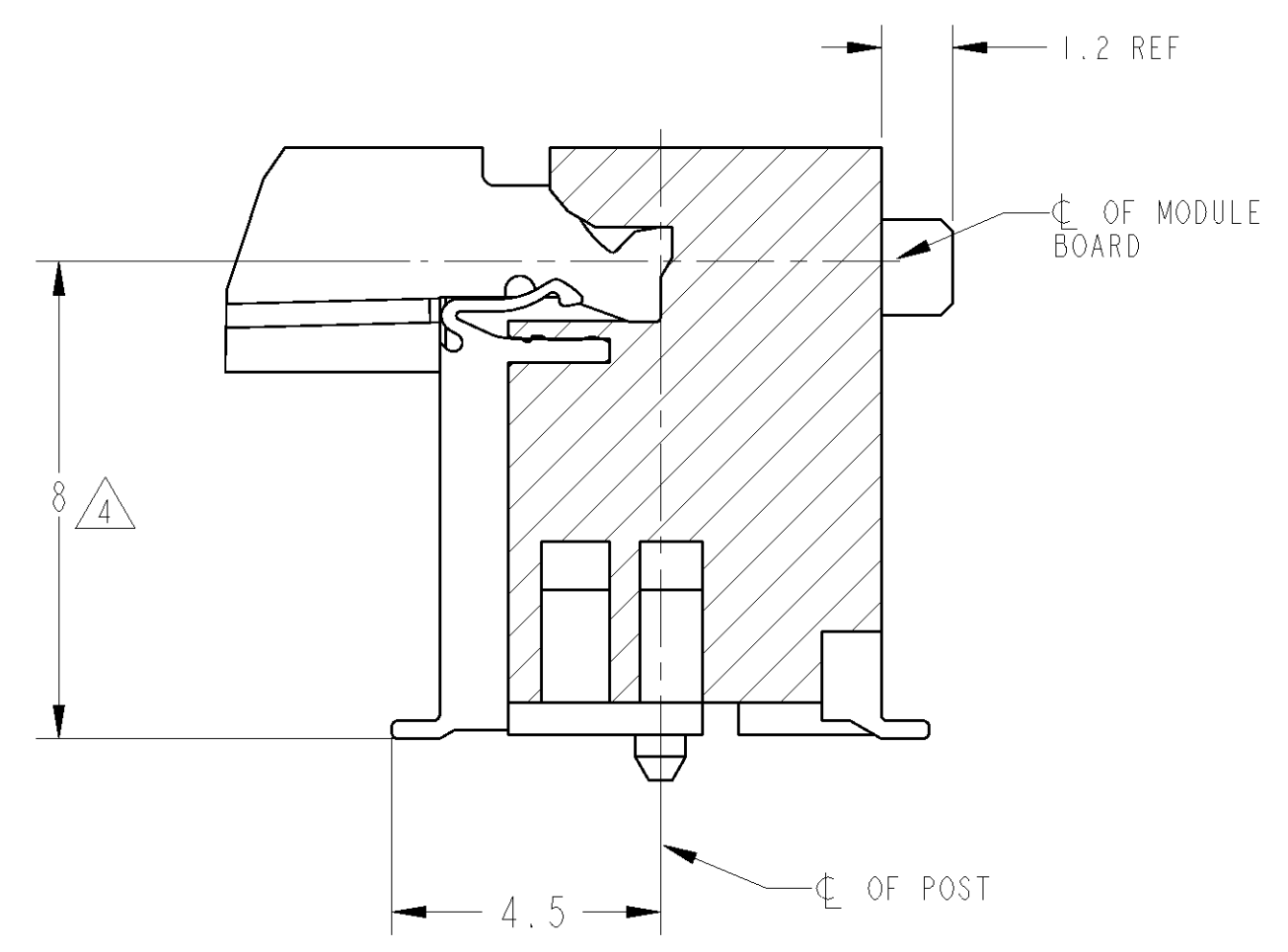
Address: A1208, Overseas Decoration Building, #122 Zhenhua RD., Futian, Shenzhen, China



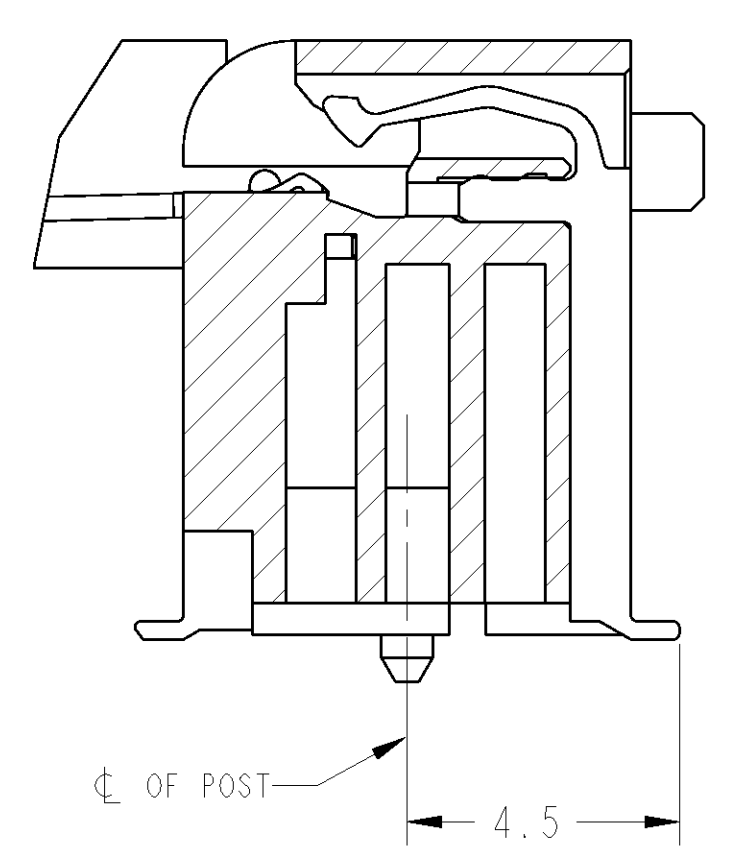
LOC	DIST	REVISONS			
F	LTR	DESCRIPTION	DATE	DRN	APFD
L1		REVISED PER ECO-11-005139	19MAR11	RK	HMR



DETAIL B
SCALE 8:1



SECTION X-X
SCALE 8:1
90° ROTATE



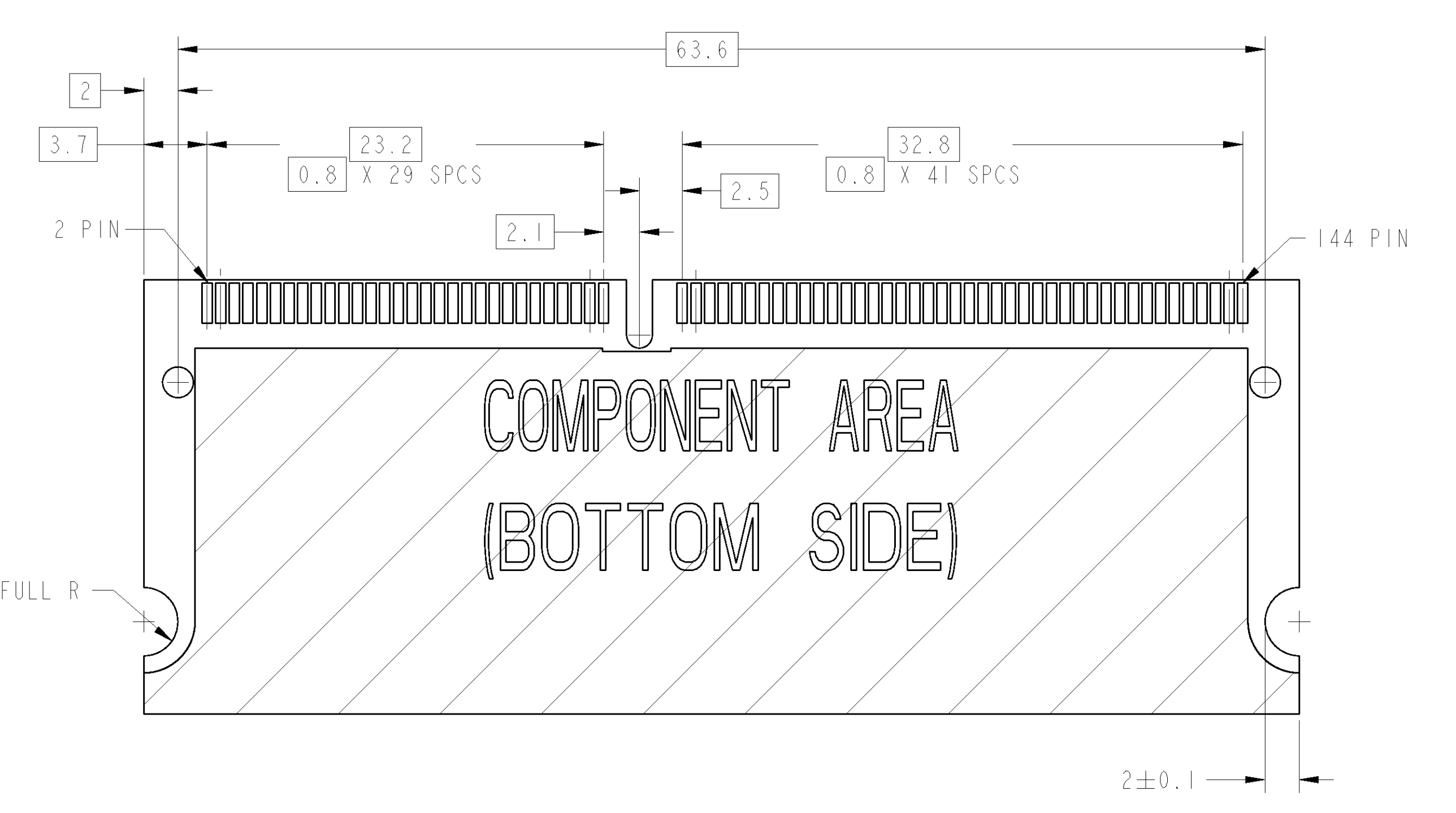
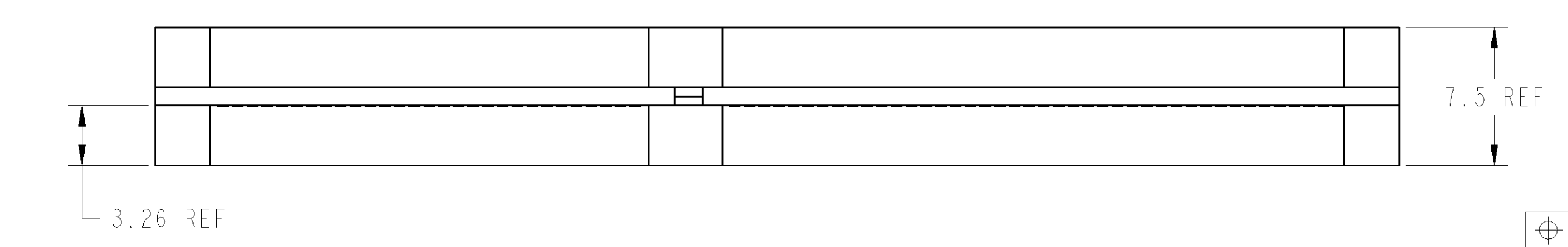
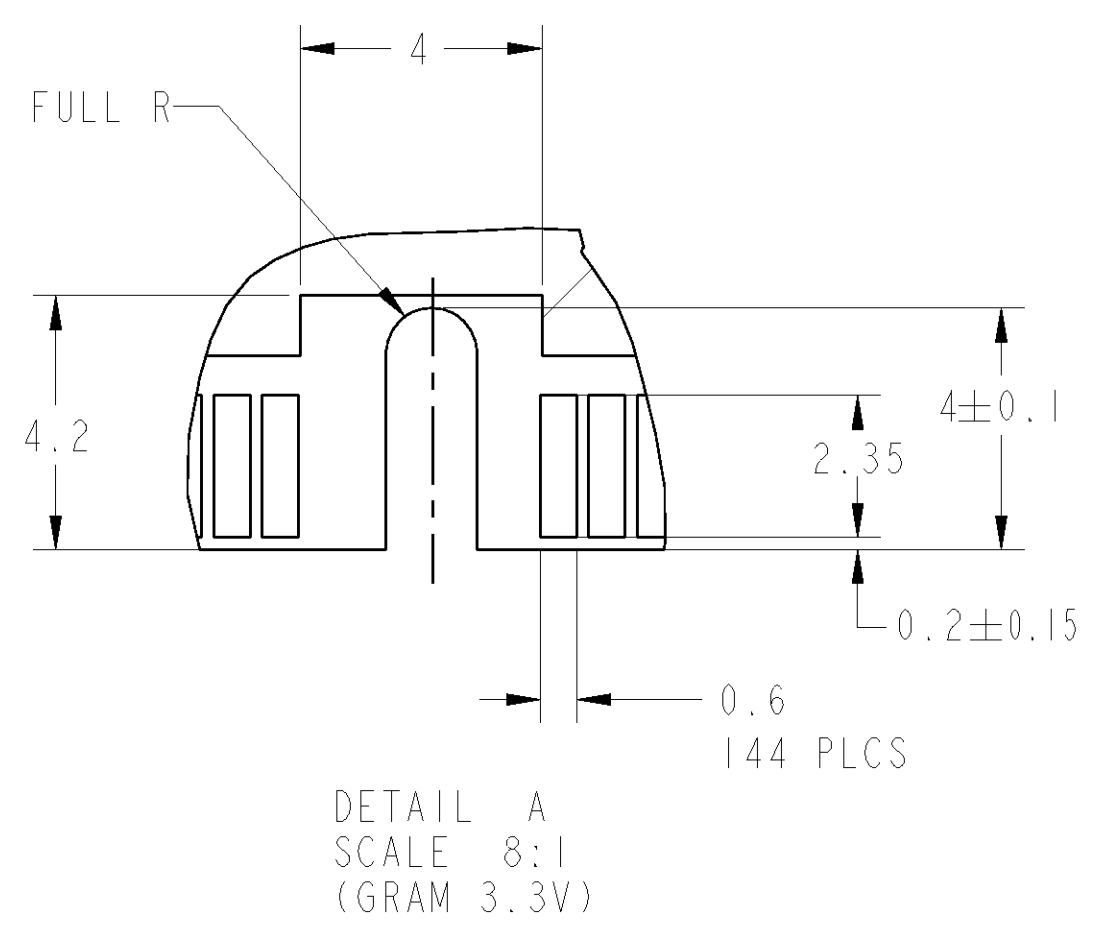
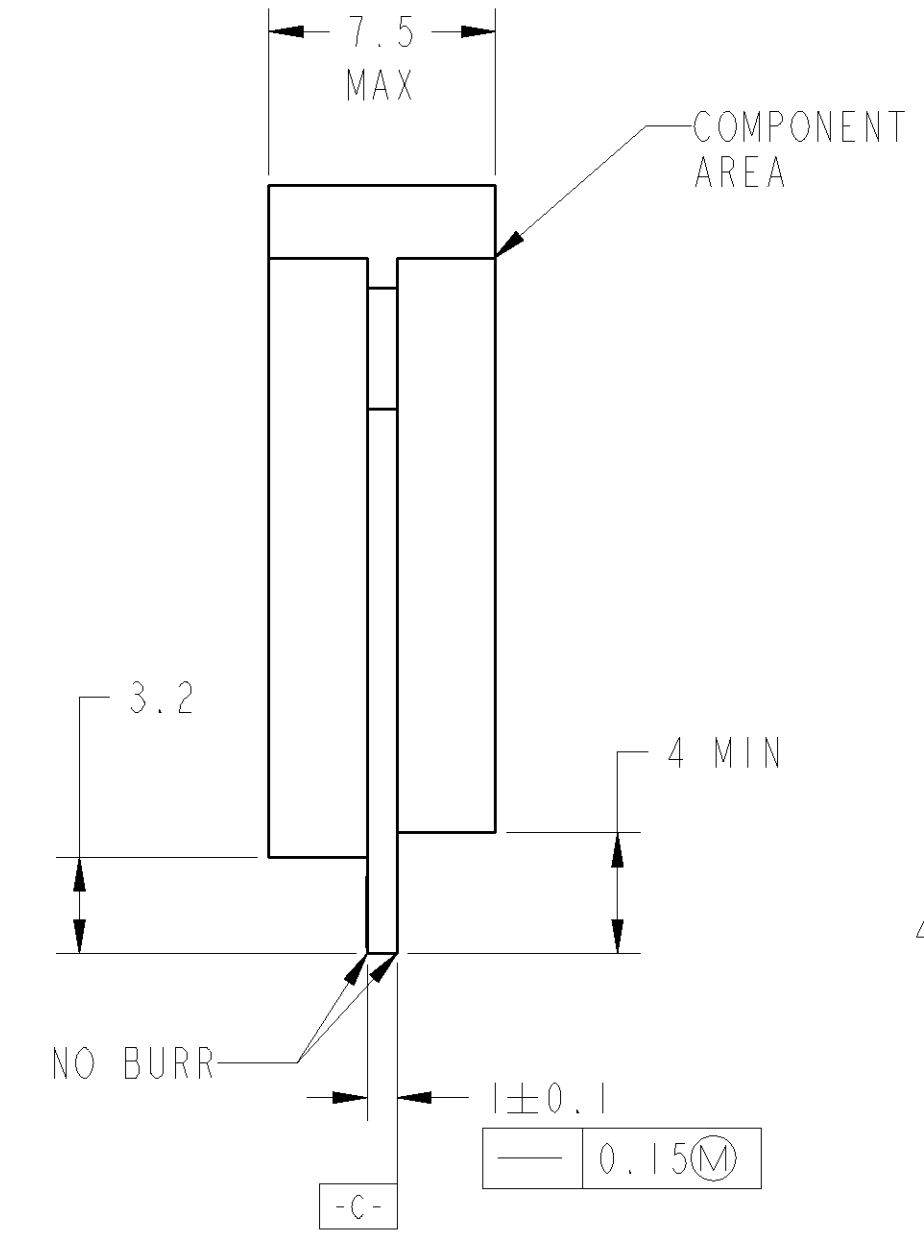
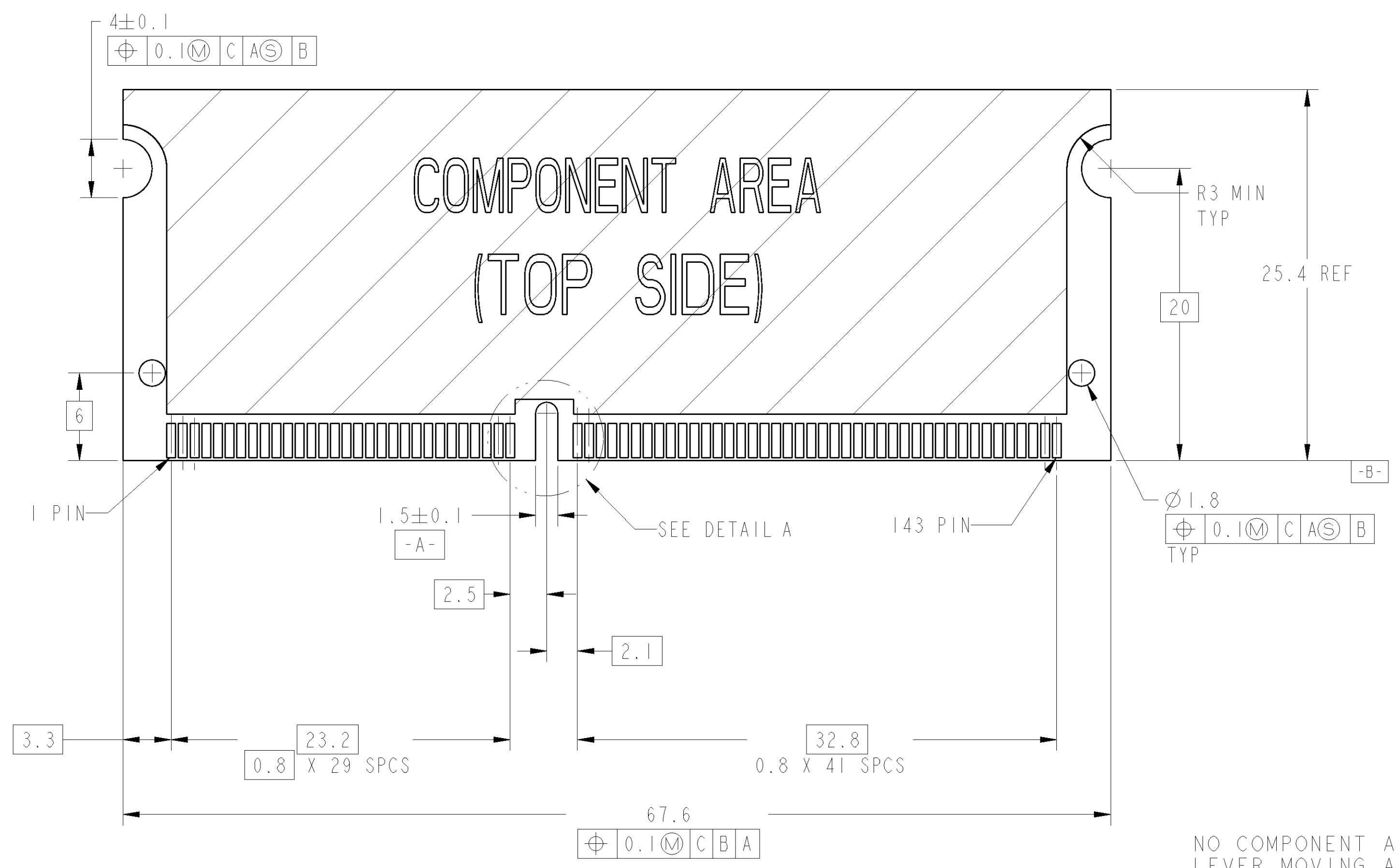
SECTION Y-Y
SCALE 8:1
90° ROTATE

- 1 MATERIAL, HOUSING, HIGH TEMP. PLASTIC, UL94V-0
CONTACT: COPPER ALLOY
LOCK LEVER: SUS301 TIN PLATING.
- 2 FINISH; CONTACT AREA: 0.00025 MIN GOLD PLT ON
0.001 MIN ALL OVER NICKEL
SOLDERING AREA: 0.00005 MIN TO 0.00030 MAX GOLD PLATE
- 3. TOLERANCES NON-ACCUMULATIVE.
- 4 DIMENSIONING TO MODULE CENTER LINE.
- 5 PART PACKAGING PER EIA-IS-704 STANDARD REEL
DIAMETER SHALL BE 330mm. TAPE WIDTH SHALL
BE 88mm AND TAPE PITCH SHALL BE 36mm
- 6 DATE CODE (4-DIGITS), LOCATED AS SHOWN.
TO BE INTERPRETED AS FOLLOWS:
DIGIT # 1 - LAST DIGIT OF YEAR.
DIGITS # 2 AND # 3 - CALENDAR WEEK.
DIGIT # 4 - DAY OF THE WEEK (WITH SUNDAYS AS DAY 1).

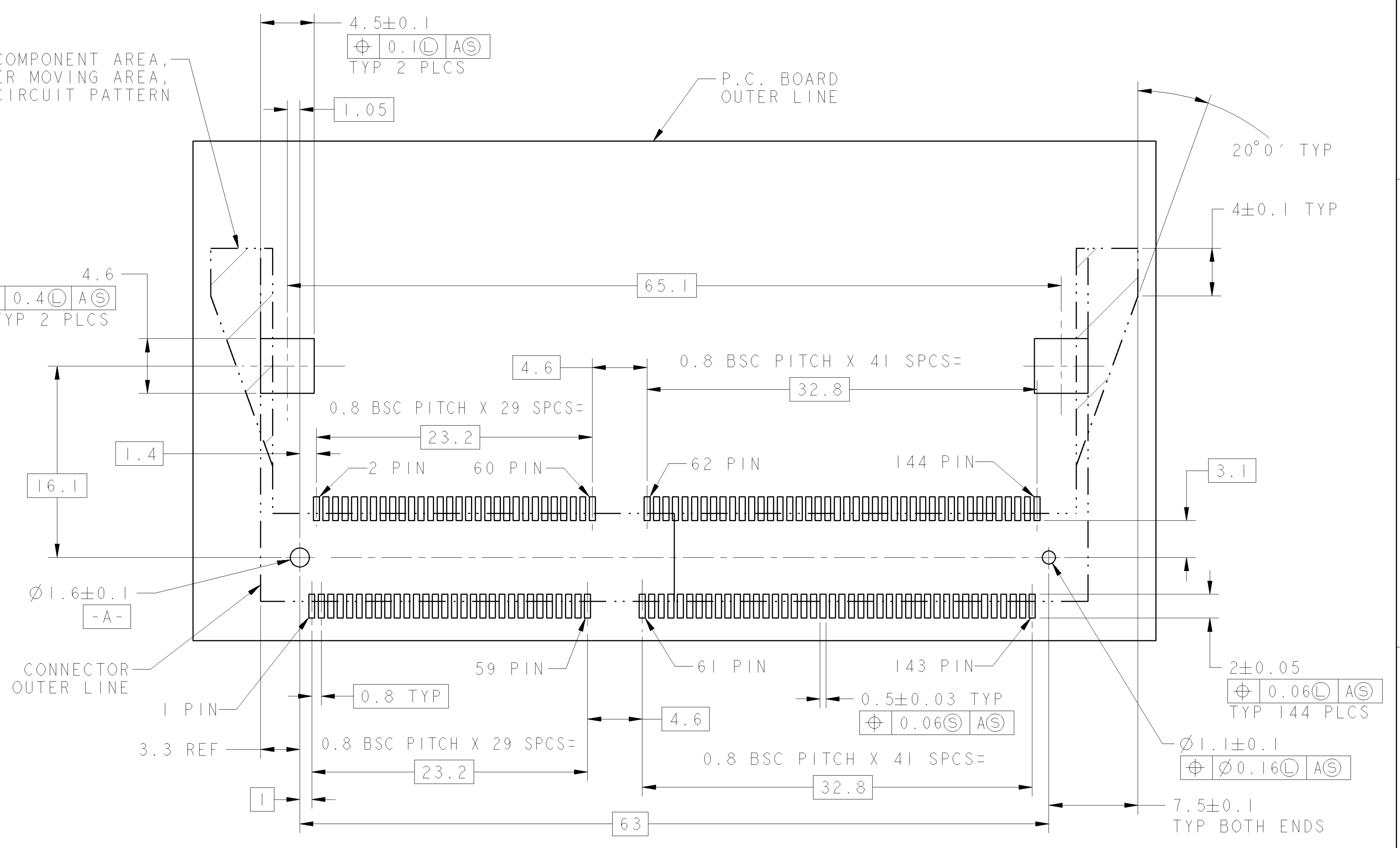
AVAILABLE	SDRAM 3.3V	144	6-390322-1	5
AVAILABLE	SDRAM 3.3V	144	390322-1	
REMARKS	POWER SUPPLY	POS	PART NUMBER	

DIMENSIONS:		TOLERANCES UNLESS OTHERWISE SPECIFIED:		DRN: J. BURWELL 8NOV99		DWG: K. KREIDLER 22JUL99		APFD: SE LEONG		NAME: S.O.DIMM SOCKET ASSY., 0.8mm PITCH	
mm	0 PLC ±	1 PLC ±0.2	2 PLC ±0.2	3 PLC ±0.2	4 PLC ±	ANGLES ±	FINISH	PRODUCT SPEC: 108-1739-1	APPLICATION SPEC: 114-1114	SIZE: A1	CAGE CODE: 00779
MATERIAL								WEIGHT		DRAWING NO: C=390322	SCALE: 4:1
CUSTOMER DRAWING								SHEET 1 OF 2		REV L1	

LOC	DIST	REVISIONS			
F	LTR	DESCRIPTION	DATE	OWN	APPD
-	-	SEE SHEET 1	-	-	-



NO COMPONENT AREA, LEVER MOVING AREA, ACCEPT CIRCUIT PATTERN



RECOMMENDED P.C. BOARD PATTERN LAYOUT (CONNECTOR MOUNTING SIDE)

DIMENSIONS: mm		TOLERANCES UNLESS OTHERWISE SPECIFIED:		DWN J. BURWELL 01FEB01 CHW K. KREIDLER 23JUL99 APD SE LEONG PRODUCT SPEC 108-1739-1 APPLICATION SPEC 114-1114 WEIGHT MATERIAL FINISH	CAGE CODE DRAWING NO SCALE 4:1 SHEET 2 OF 2 REV L1
0 PLCS	±	1 PLCS	±0.2	NAME S.O.DIMM SOCKET ASSY., 0.8mm PITCH 144 POS., 8mm PROFILE FOR SDRAM TYPE MODULE	STE TE Connectivity
2 PLCS	±0.2	3 PLCS	±0.2	SIZE A1 C=390322	
4 PLCS	±	5 PLCS	±	CUSTOMER DRAWING	