



Chipsmall Limited consists of a professional team with an average of over 10 year of expertise in the distribution of electronic components. Based in Hongkong, we have already established firm and mutual-benefit business relationships with customers from,Europe,America and south Asia,supplying obsolete and hard-to-find components to meet their specific needs.

With the principle of "Quality Parts,Customers Priority,Honest Operation,and Considerate Service",our business mainly focus on the distribution of electronic components. Line cards we deal with include Microchip,ALPS,ROHM,Xilinx,Pulse,ON,Everlight and Freescale. Main products comprise IC,Modules,Potentiometer,IC Socket,Relay,Connector.Our parts cover such applications as commercial,industrial, and automotives areas.

We are looking forward to setting up business relationship with you and hope to provide you with the best service and solution. Let us make a better world for our industry!



Contact us

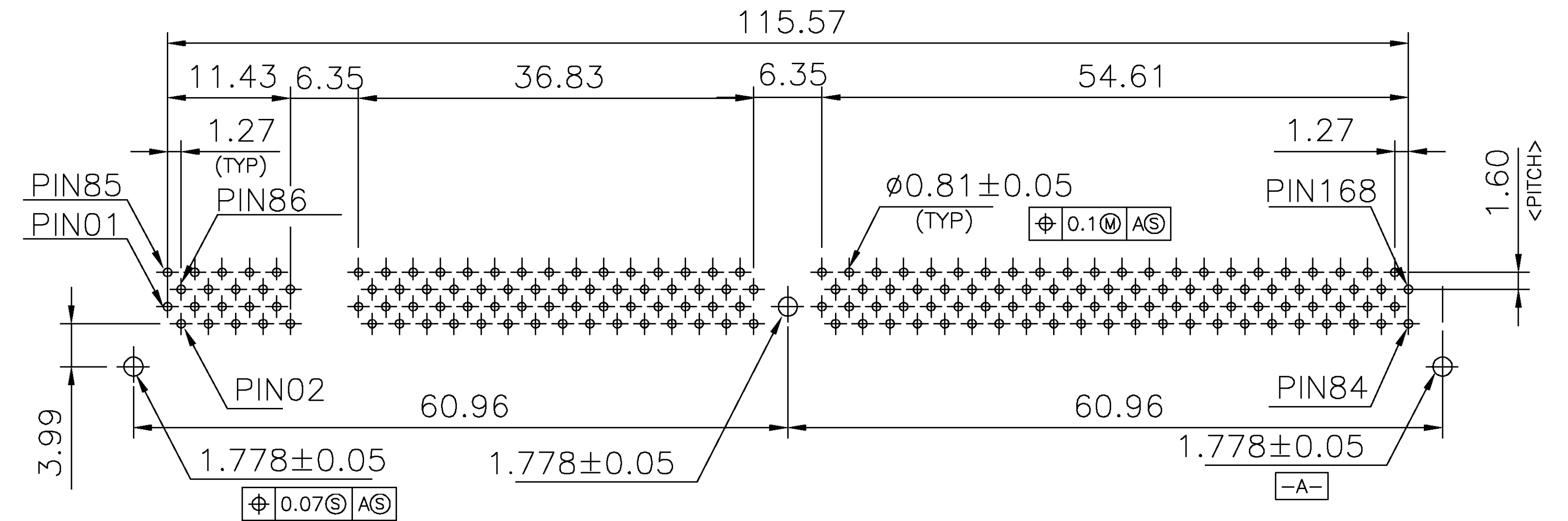
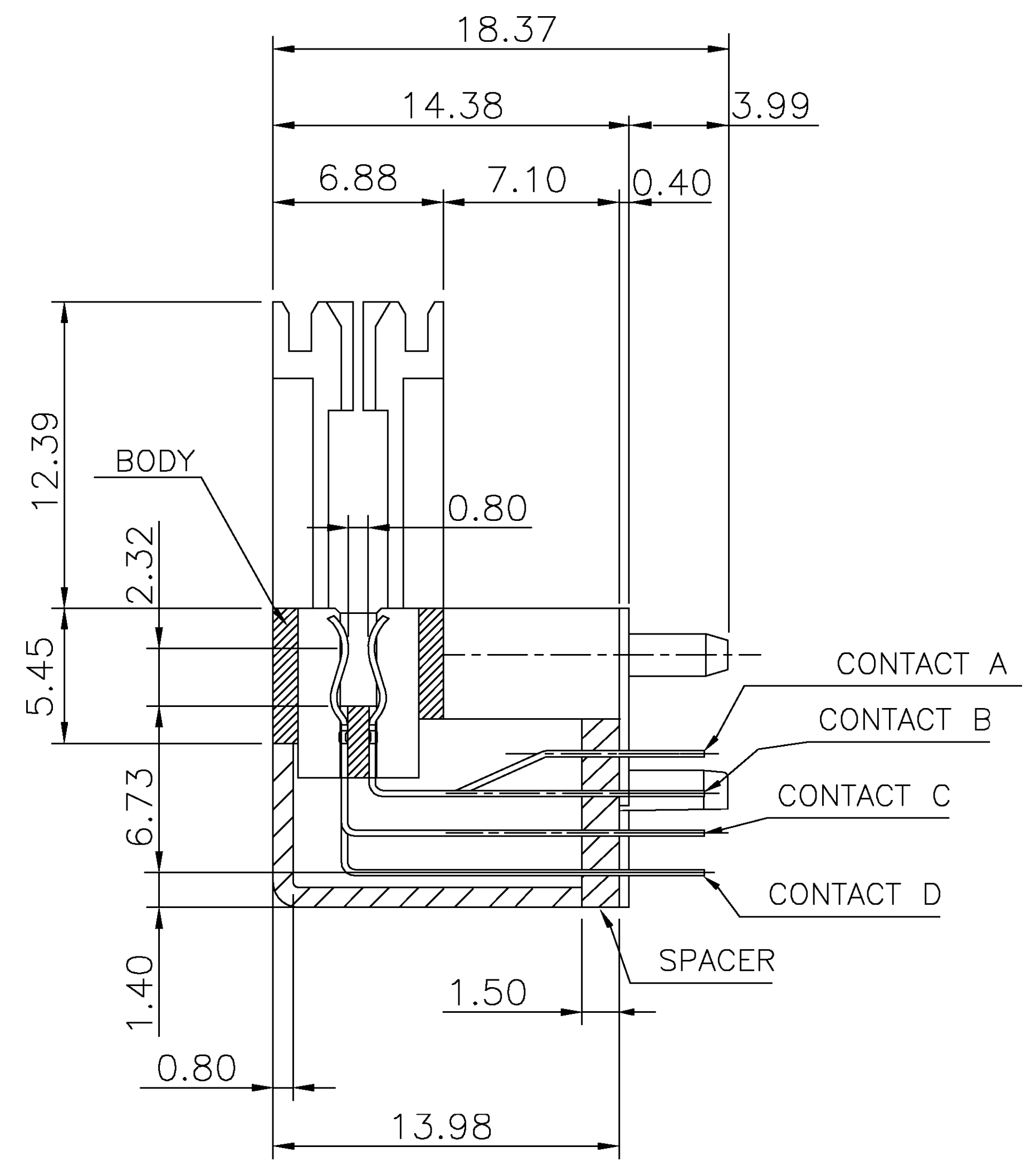
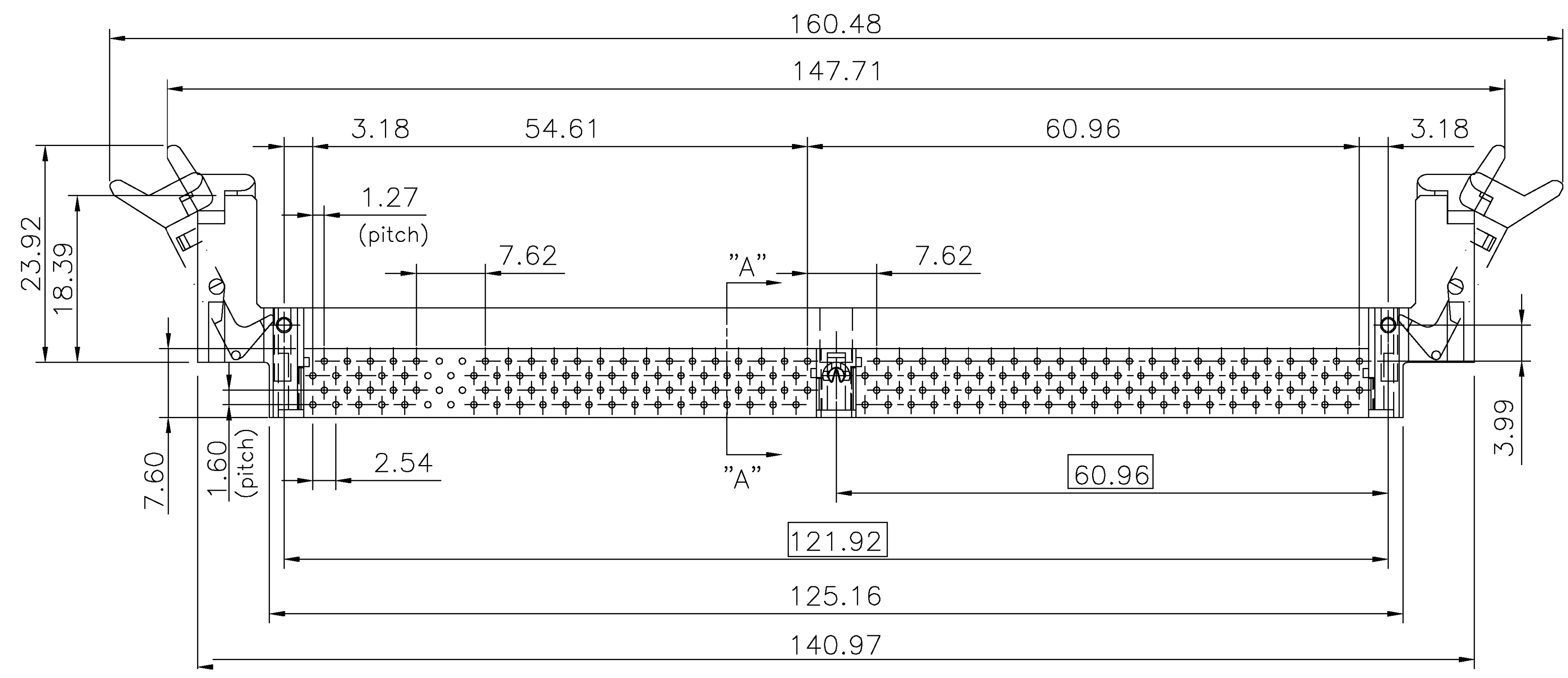
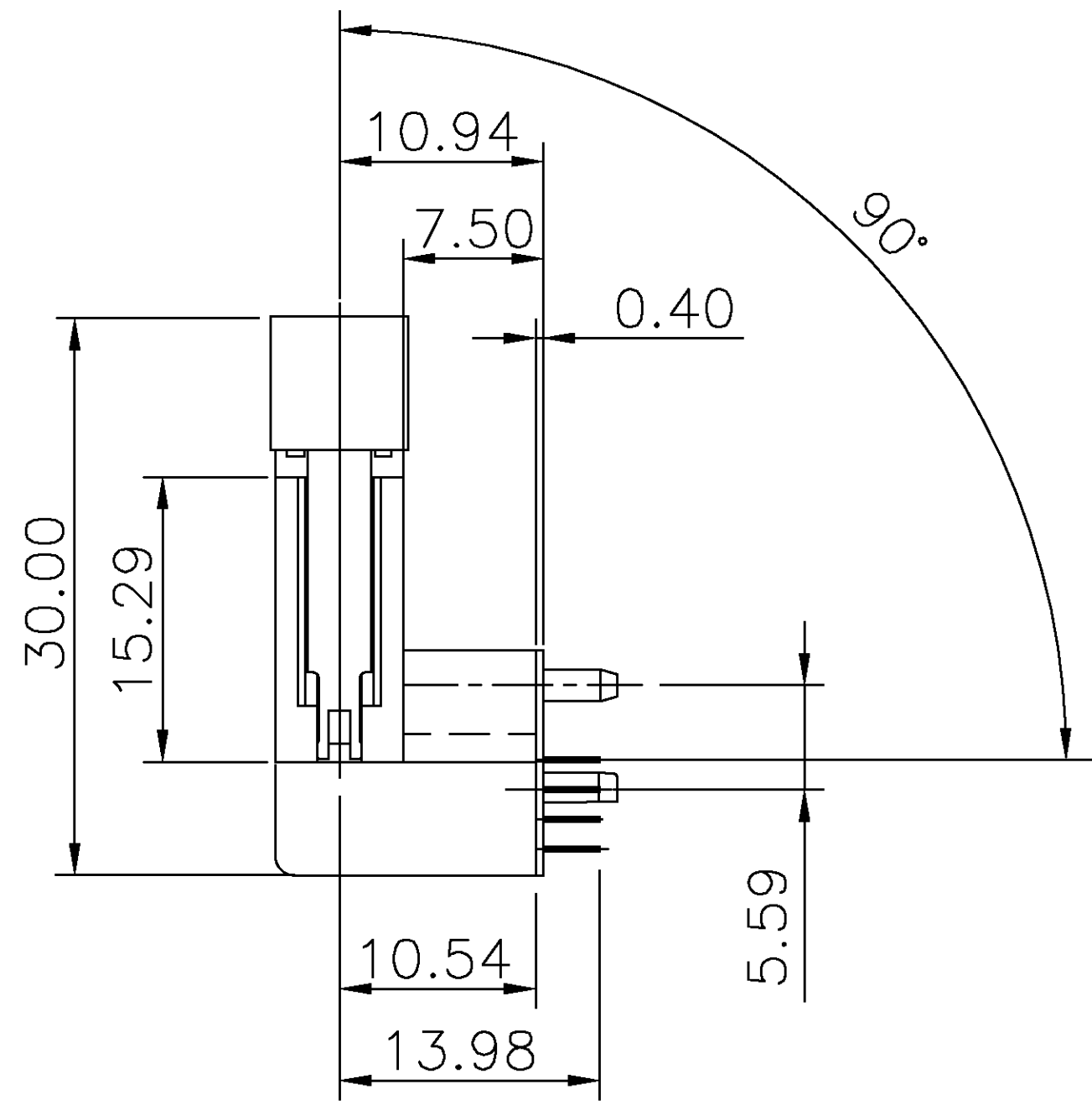
Tel: +86-755-8981 8866 Fax: +86-755-8427 6832

Email & Skype: info@chipsmall.com Web: www.chipsmall.com

Address: A1208, Overseas Decoration Building, #122 Zhenhua RD., Futian, Shenzhen, China



LOC		DIST		REVISIONS			
GP	00	P	LN	DESCRIPTION	DATE	DN	APD
		E		REVISED PER OS1D-0025-01	10APR01	AH	CF



RECOMMENDED CIRCUIT BOARD HOLE LAYOUT

NOTES:

- 1 MATERIAL:
HOUSING, CONTACT COVER AND ALIGNMENT PLATE:
LCP, 94V-0 RATED, BLACK.
LATCH: NYLON, NATURAL.
CONTACT: PHOS BRONZE.
- 2 CONTACT PLATING:
50 μin MIN NICKEL UNDERPLATE ON ENTIRE CONTACT,
100 μin MIN TIN/LEAD ON SOLDER TAILS,
30 μin MIN GOLD IN CONTACT INTERFACE AREA.

DETAIL C	DETAIL A	NON-BUFFERED DRAM, 3.3 VOLT	390326-6
KEY #1	KEY #2	PART DESCRIPTION	PART NUMBER

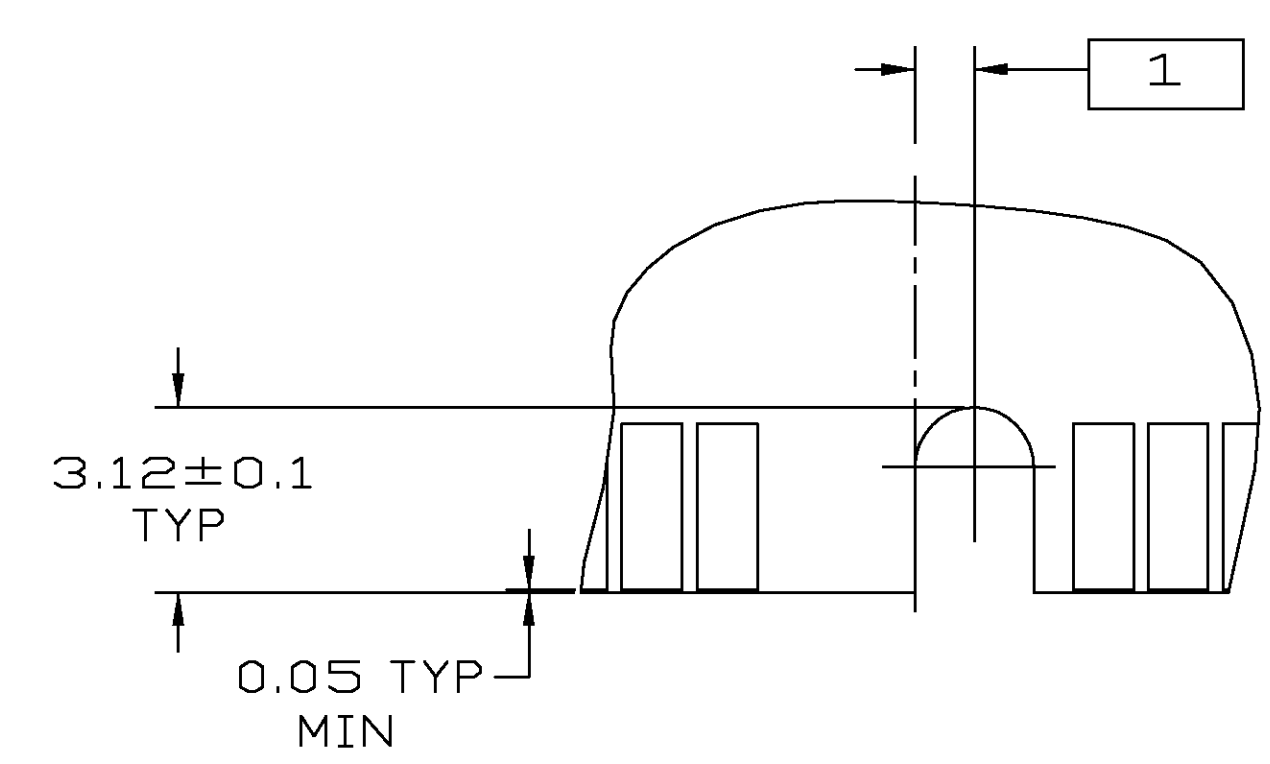
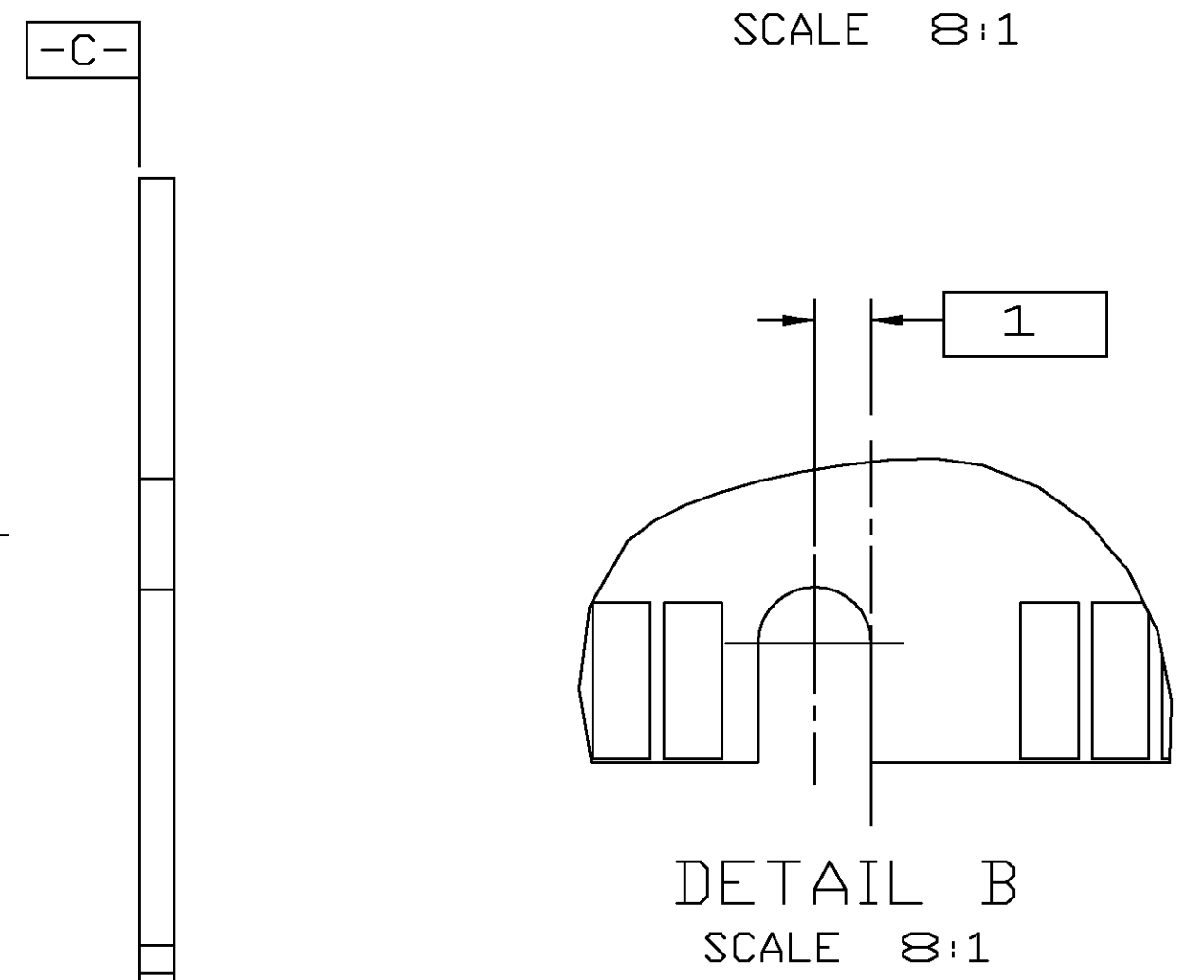
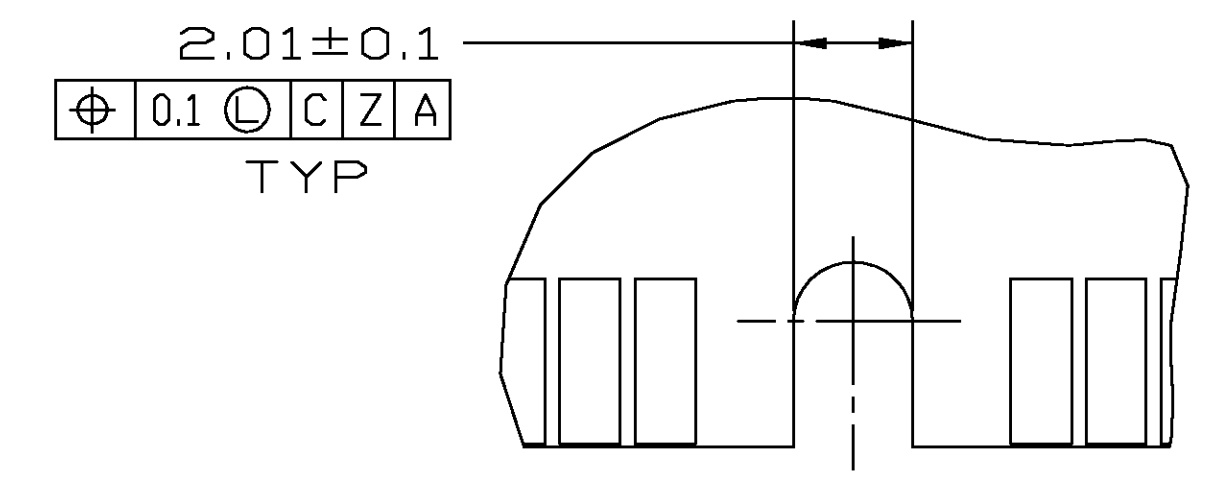
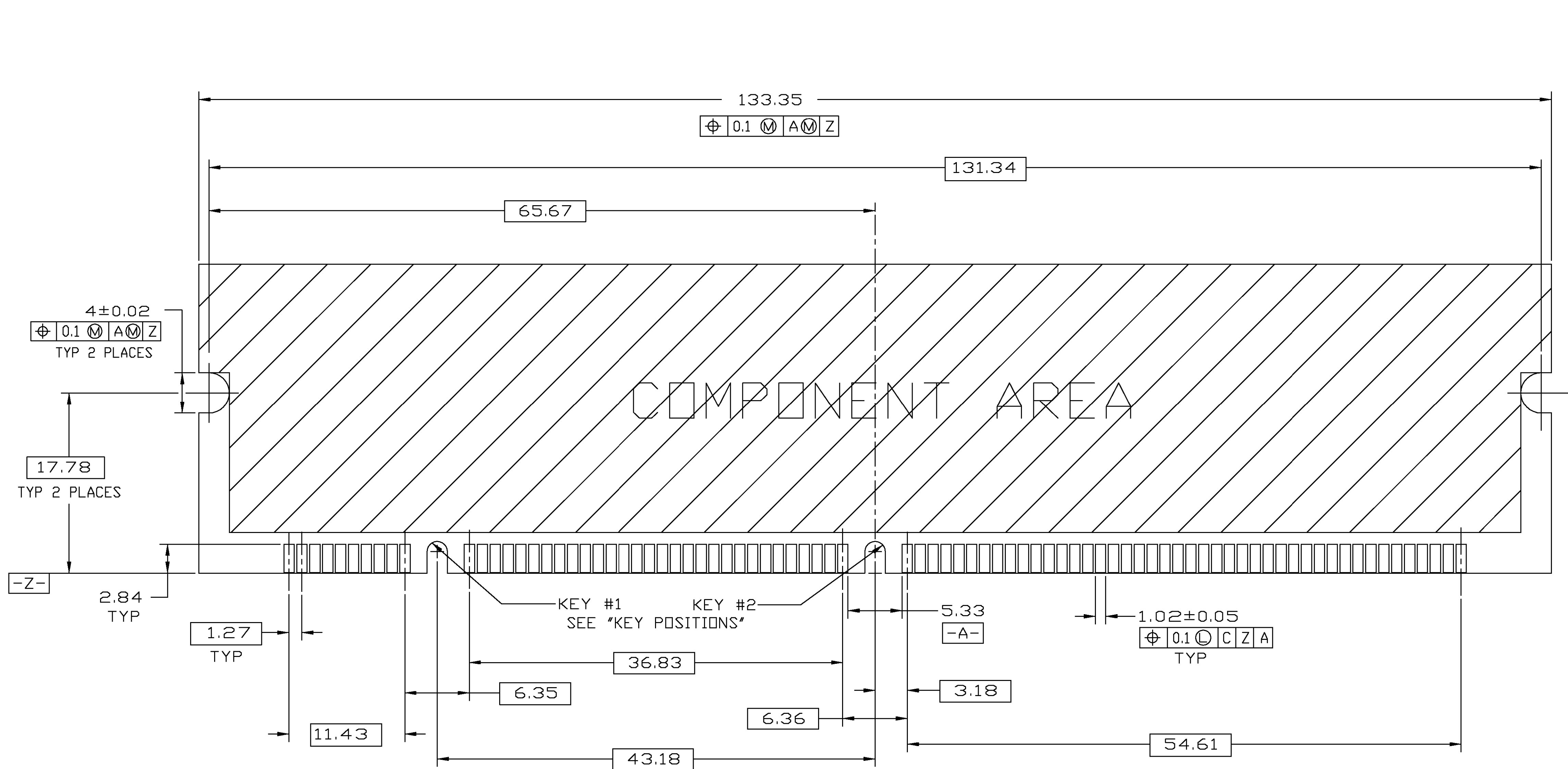
SECTION A-A
< 6:1 >

THIS DRAWING IS A CONTROLLED DOCUMENT.

DW: A.HOLT	24AUG99	AMP AMP Incorporated Harrisburg Pa 17105-3608
CHK: C.FULP	24AUG99	
APRO: C.FULP	24AUG99	NAME: SOCKET, DIMM, DRO, RIGHT ANGLE
		168 POSITION, 1.60mm CONTACT PITCH
		PRODUCT SPEC: 108-1756
		APPLICATION SPEC: NONE
		SIZE: A1
		CAGE CODE: 00779
		DRAWING NO: C-390326
		RESTRICTED TO: -
		WEIGHT: -
		CUSTOMER DRAWING

SCALE: 3:1 SHEET 1 OF 2 REV E

LOC		DIST		REVISIONS			
GP	00	P	LN	DESCRIPTION	DATE	DNW	APD
		E		SEE SHEET 1	-	-	-



RECOMMENDED MODULE LAYOUT
 SEE JEDEC SPEC. MO-161 FOR COMPLETE MODULE DETAILS
 1.27 ± 0.10 THICK ACROSS CONTACT PADS
 SCALE 4:1

KEY POSITIONS

THIS DRAWING IS A CONTROLLED DOCUMENT.		DNW A.HOLT 24AUG99	AMP Incorporated Harrisburg Pa 17105-3608
DIMENSIONS: MM		CHK C.FULP 24AUG99	AMP
TOLERANCES UNLESS OTHERWISE SPECIFIED:		APD C.FULP 24AUG99	NAME
0 PLC	± 0.3	PRODUCT SPEC	108-1756
1 PLC	± 0.05	APPLICATION SPEC	NONE
2 PLC	± 0.010	WEIGHT	-
3 PLC	± 0.010	SIZE	A1
4 PLC	± 0.010	CAGE CODE	00779
ANGLES	± 1°	DRAWING NO	C-390326
MATERIAL	FINISH	RESTRICTED TO	-
1	2	CUSTOMER DRAWING	SCALE 3:1 SHEET 2 OF 2 REV E