



Chipsmall Limited consists of a professional team with an average of over 10 year of expertise in the distribution of electronic components. Based in Hongkong, we have already established firm and mutual-benefit business relationships with customers from,Europe,America and south Asia,supplying obsolete and hard-to-find components to meet their specific needs.

With the principle of “Quality Parts,Customers Priority,Honest Operation,and Considerate Service”,our business mainly focus on the distribution of electronic components. Line cards we deal with include Microchip,ALPS,ROHM,Xilinx,Pulse,ON,Everlight and Freescale. Main products comprise IC,Modules,Potentiometer,IC Socket,Relay,Connector.Our parts cover such applications as commercial,industrial, and automotives areas.

We are looking forward to setting up business relationship with you and hope to provide you with the best service and solution. Let us make a better world for our industry!



Contact us

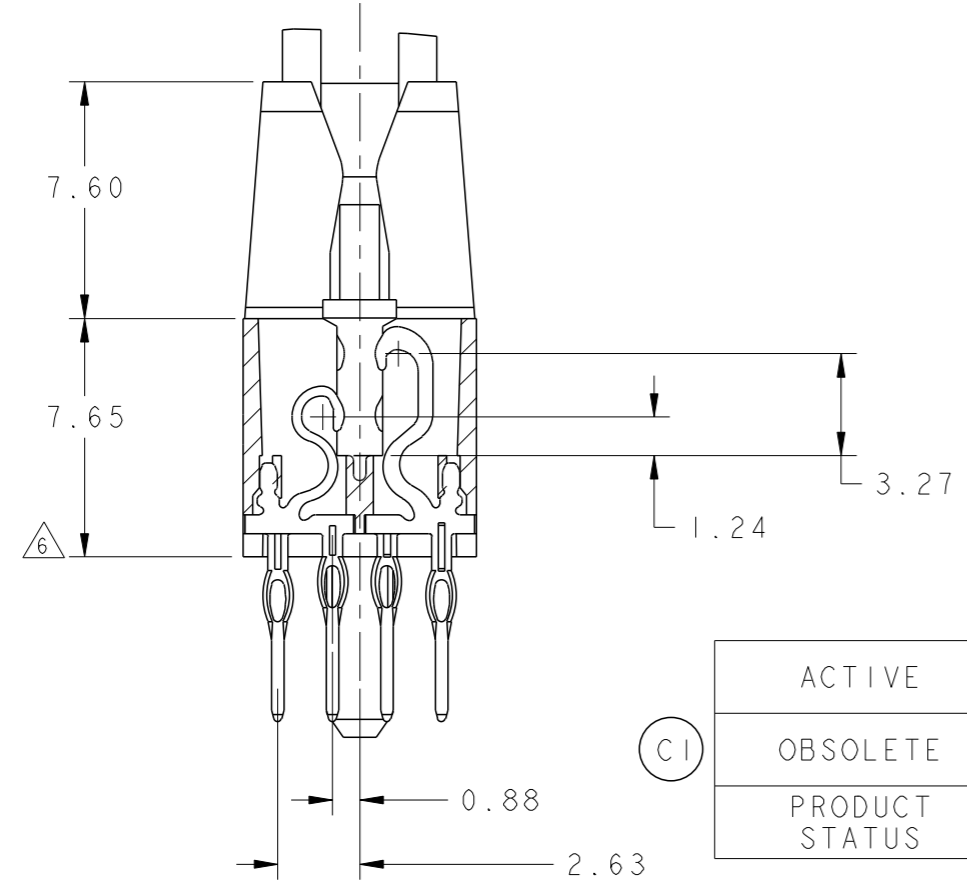
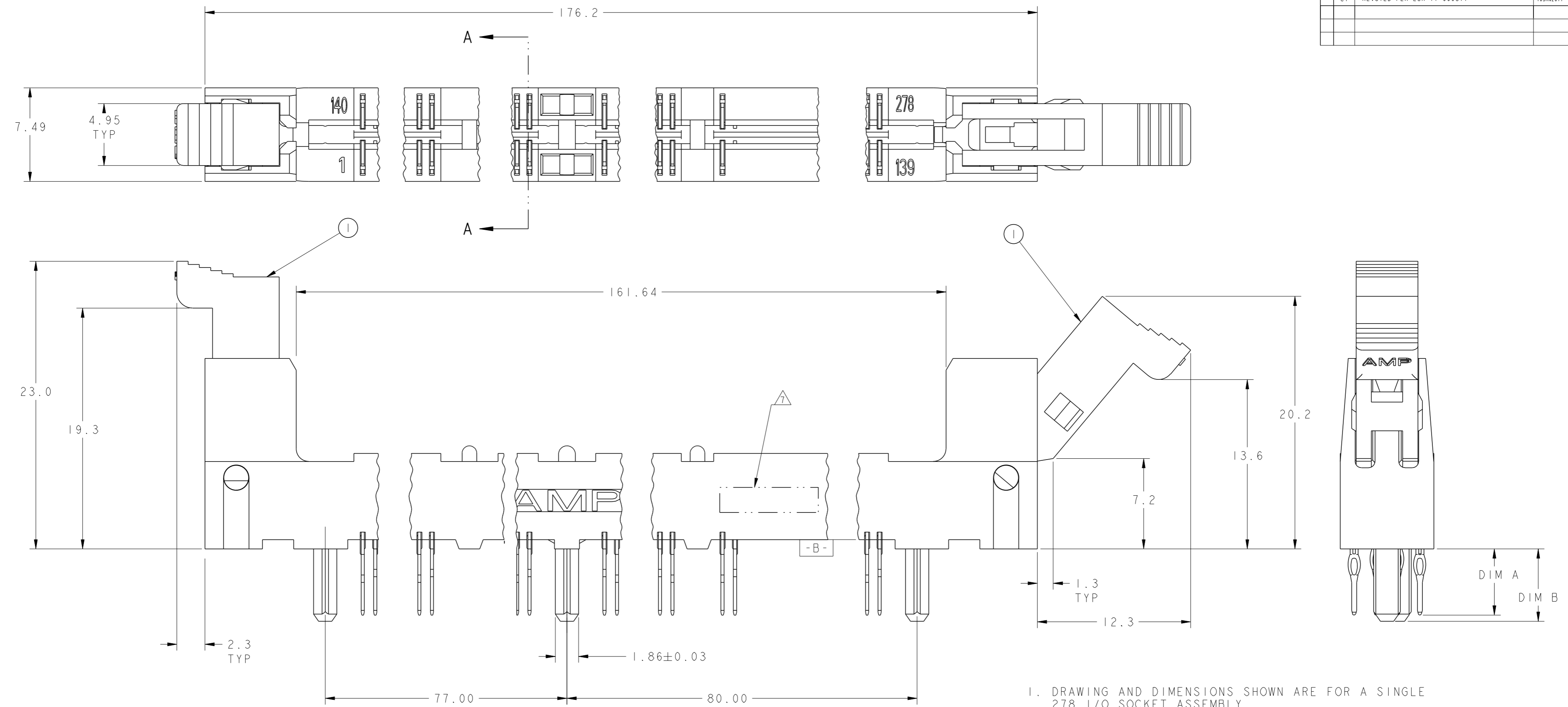
Tel: +86-755-8981 8866 Fax: +86-755-8427 6832

Email & Skype: info@chipsmall.com Web: www.chipsmall.com

Address: A1208, Overseas Decoration Building, #122 Zhenhua RD., Futian, Shenzhen, China



LOC		DIST		REVISONS			
GP	0	LT#	DESCRIPTION	DATE	DRN	APPR	
		C1	REVISED PER ECR-11-000517	10JAN2011	SW	CW	



ACTIVE	NATURAL	5.79	4.21	278	390350-2
OBSOLETE	BLACK	5.79	5.29	278	390350-1
PRODUCT STATUS	COLOR (1)	DIM_B	DIM_A	POS	PART NUMBER

- DRAWING AND DIMENSIONS SHOWN ARE FOR A SINGLE 278 I/O SOCKET ASSEMBLY.
- THE POST DIAMETER REFERENCE DIMENSIONS EXCLUDE THE POSTS' FLUTING FEATURES.

CONTACT PADS SHALL BE PLATED WITH 0.0008 [0.0003] MINIMUM THICK GOLD OVER 0.0038 [0.00015] MINIMUM THICK NICKEL.

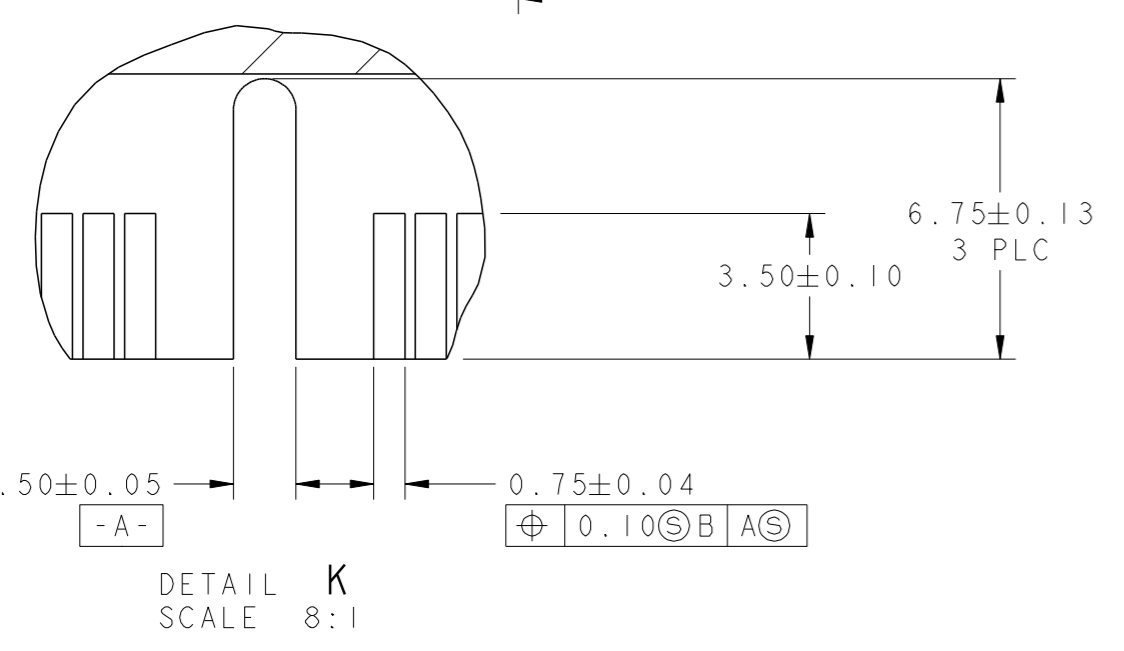
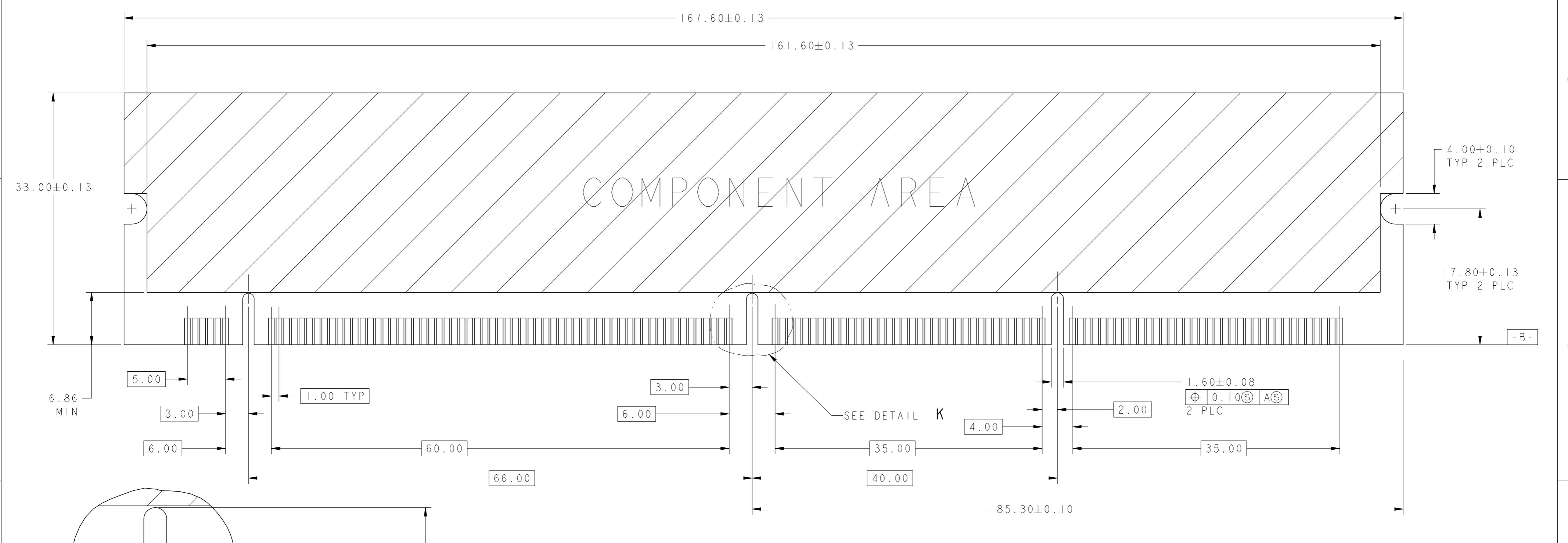
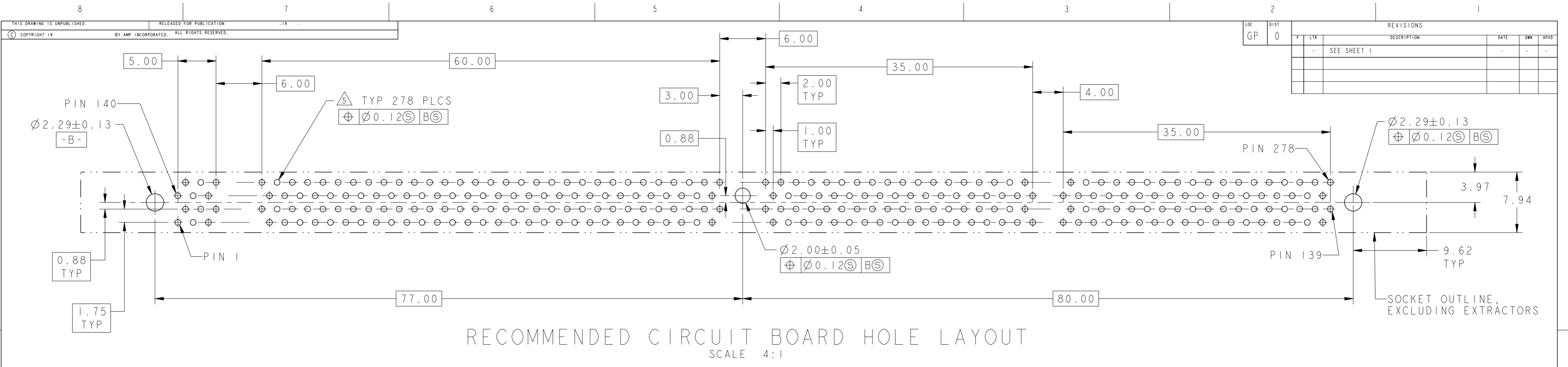
MATERIAL:
 HOUSING- HIGH TEMPERATURE NYLON, BLACK.
 EXTRACTORS- HIGH TEMPERATURE NYLON, DARK BLUE, DARK GREEN.
 CONTACTS- PHOSPHOR BRONZE WITH 0.00076[0.00030] MIN THICK GOLD OVER 0.00381[0.000150] MIN THICK NICKEL IN CONTACT AREA AND 0.00381[0.000150] MIN THICK TIN-LEAD OVER 0.00127[0.000050] MIN THICK NICKEL ON SOLDER TAIL.

REFERENCE APPLICATION SPEC 114-13153 FOR RECOMMENDED PLATED THRU HOLE DIAMETER AND PLATING THICKNESS.

PCB SURFACE

DATE CODE LOCATED APPROX. AS SHOWN.

<small>THIS DRAWING IS UNPUBLISHED. RELEASED FOR PUBLICATION BY AMP INCORPORATED. ALL RIGHTS RESERVED.</small>		DWN: SIWINSKI 12-NOV-99 CHK: SHIRLING 16-NOV-99 APFD: SIWINSKI 16-NOV-99	NAME: SOCKET ASSEMBLY, 16 BYTE DIMM, 278 PRESS FIT SIZE: A1 CAGE CODE: 00779 DRAWING NO: 390350
DIMENSIONS: MM 0 PLC ±.05 1 PLC ±0.30 2 PLC ±0.10 3 PLC ±0.01 4 PLC ±.05 ANGLES ±.5	TOLERANCES UNLESS OTHERWISE SPECIFIED: ±.05 ±0.30 ±0.10 ±0.01 ±.05 ±.5	Tyco Electronics Harrisburg, PA 17105-3608 	SCALE: 6:1 SHEET 1 OF 2 REV: C1



<small>THIS DRAWING IS A CONTROLLED DOCUMENT FOR AMP INCORPORATED. IT IS SUBJECT TO CHANGE AND THE CONTROLLING ENGINEERING ORGANIZATION SHOULD BE CONTACTED FOR THE LATEST REVISION.</small>		OWN: SIWINSKI 12-NOV-99 CHK: SHIRLING 16-NOV-99 APD: SIWINSKI 16-NOV-99	NAME: SOCKET ASSEMBLY, 16 BYTE DIMM, 1mm, 278 PRESS FIT SIZE: A1 CAGE CODE: 00779 DRAWING NO: 390350
DIMENSIONS: MM \varnothing (hole symbol) Δ (angle symbol)	TOLERANCES UNLESS OTHERWISE SPECIFIED: 0 PLC ±0.30 1 PLC ±0.30 2 PLC ±0.10 3 PLC ±0.01 4 PLC ±0.01 ANGLES ±0.5°	MATERIAL: Δ (material symbol) FINISH: -	CUSTOMER DRAWING SCALE: 6:1 SHEET: 2 OF 2 REV: C1