



Chipsmall Limited consists of a professional team with an average of over 10 year of expertise in the distribution of electronic components. Based in Hongkong, we have already established firm and mutual-benefit business relationships with customers from,Europe,America and south Asia,supplying obsolete and hard-to-find components to meet their specific needs.

With the principle of “Quality Parts,Customers Priority,Honest Operation,and Considerate Service”,our business mainly focus on the distribution of electronic components. Line cards we deal with include Microchip,ALPS,ROHM,Xilinx,Pulse,ON,Everlight and Freescale. Main products comprise IC,Modules,Potentiometer,IC Socket,Relay,Connector.Our parts cover such applications as commercial,industrial, and automotives areas.

We are looking forward to setting up business relationship with you and hope to provide you with the best service and solution. Let us make a better world for our industry!



## Contact us

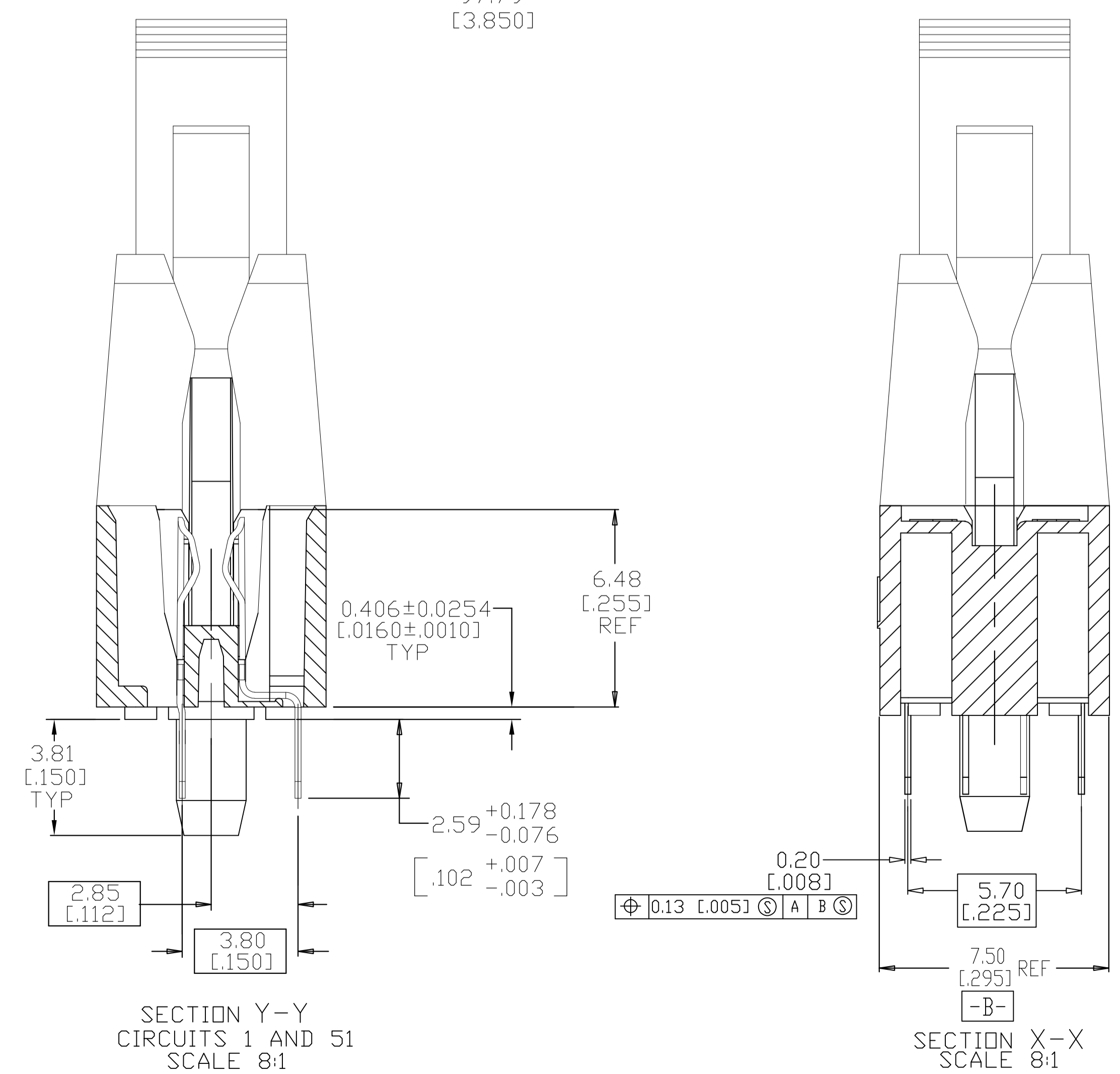
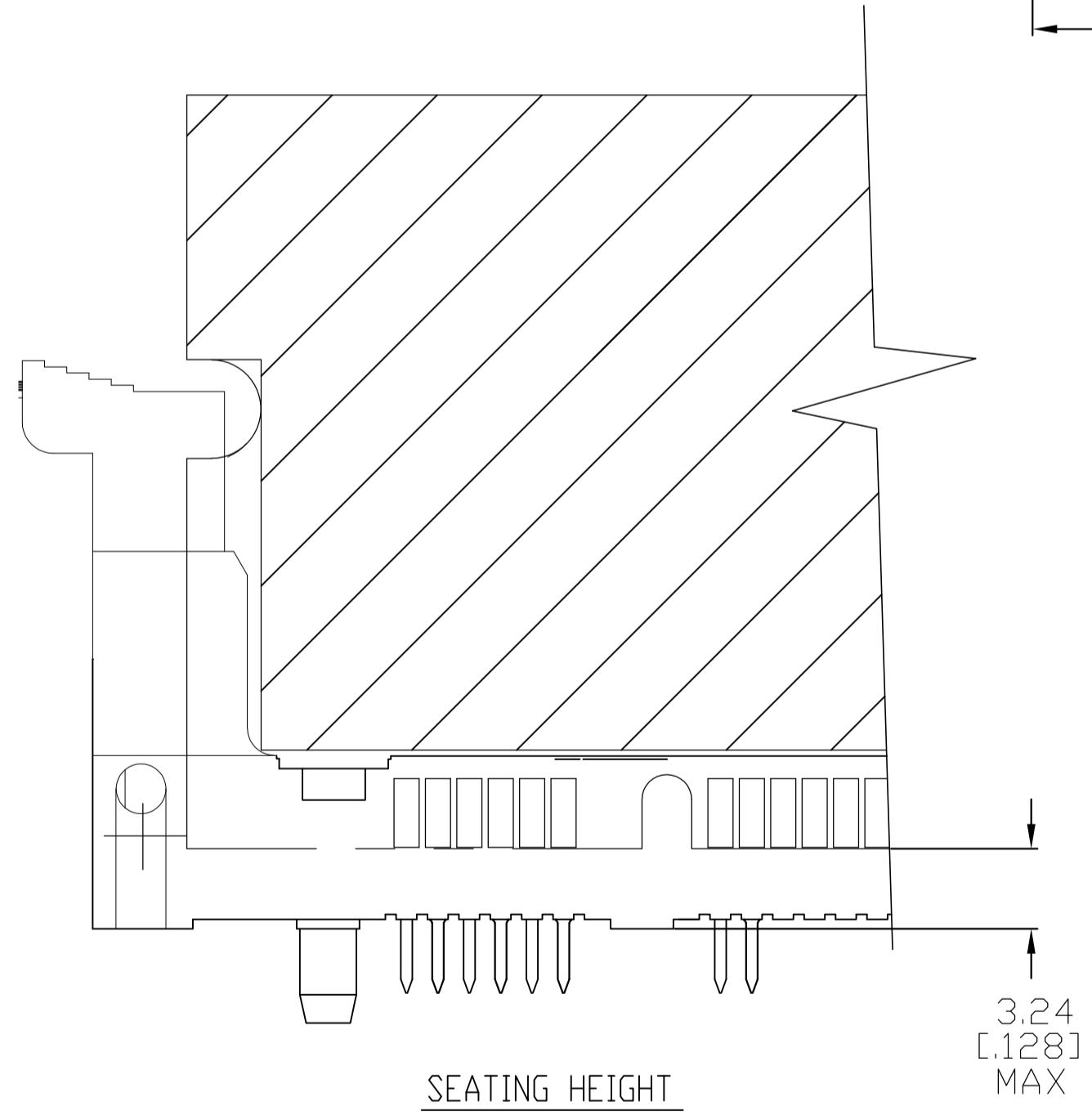
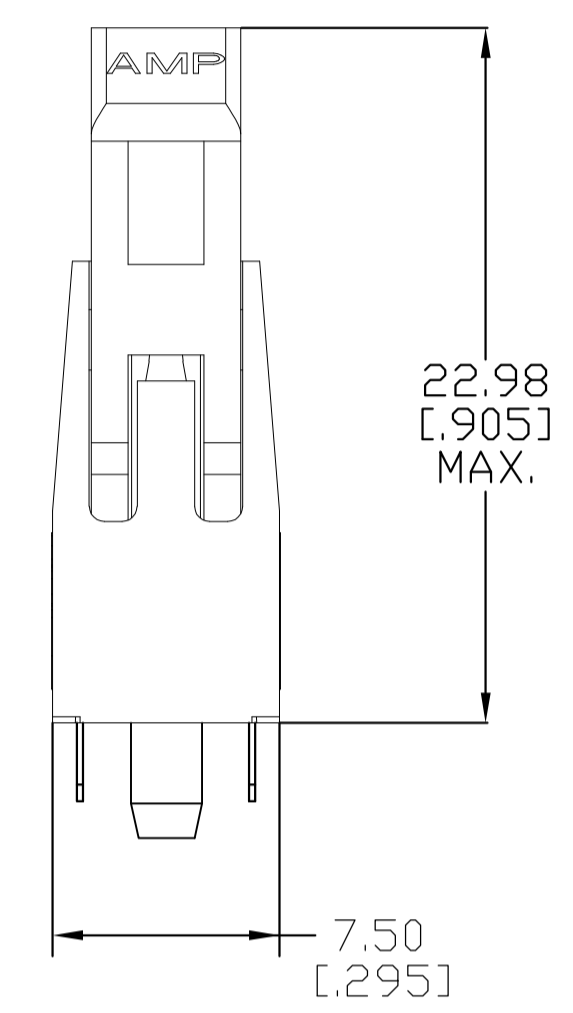
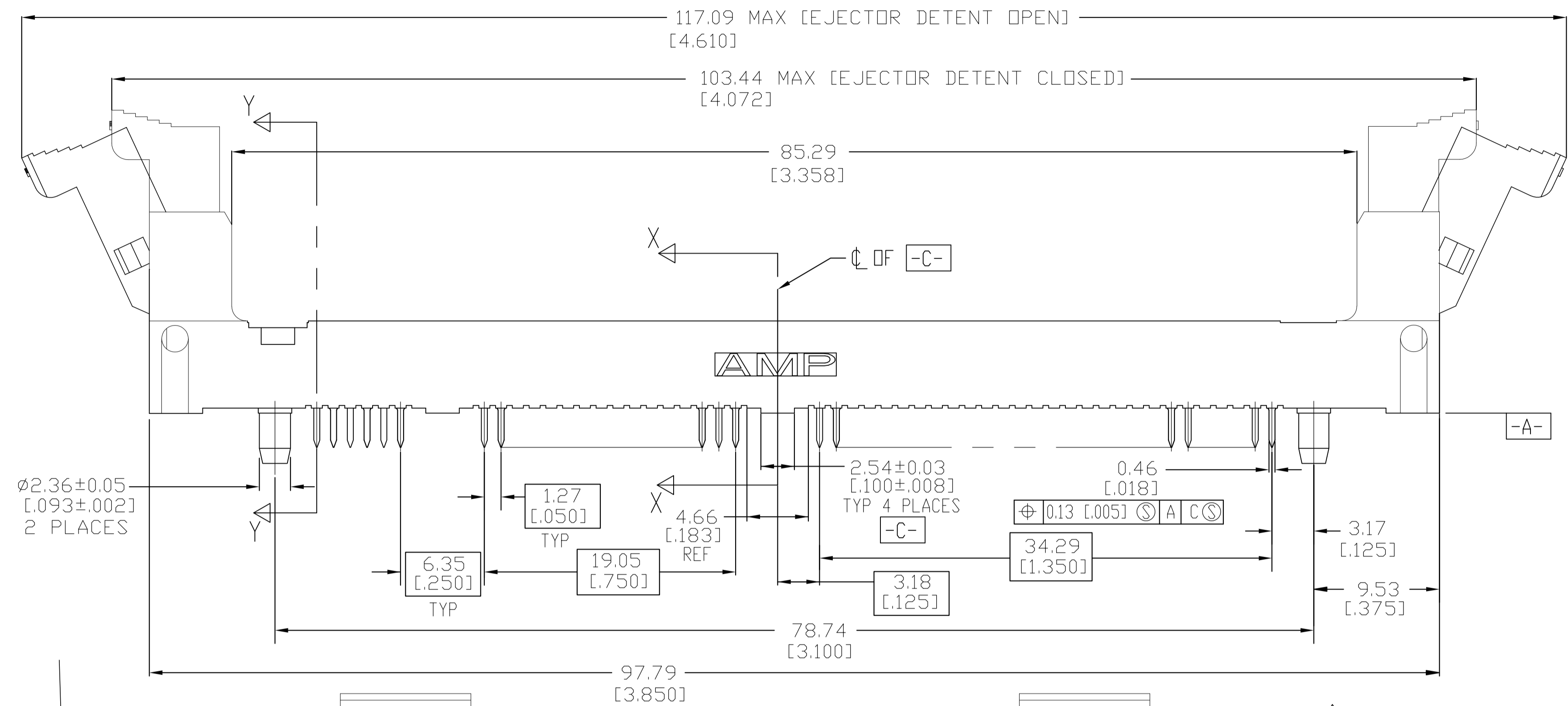
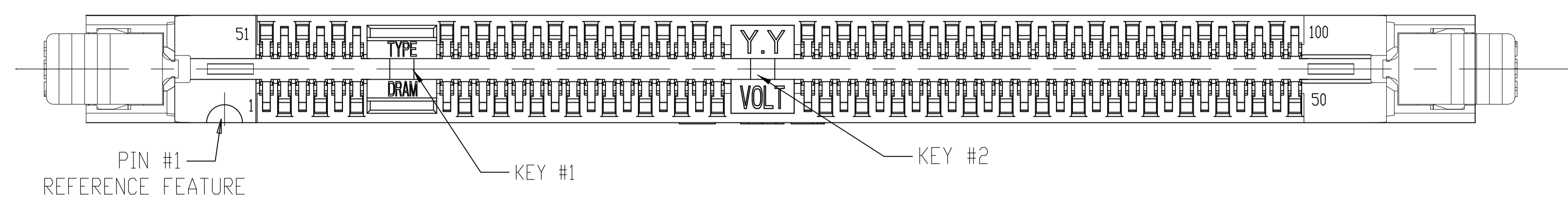
Tel: +86-755-8981 8866 Fax: +86-755-8427 6832

Email & Skype: info@chipsmall.com Web: www.chipsmall.com

Address: A1208, Overseas Decoration Building, #122 Zhenhua RD., Futian, Shenzhen, China



LOC		DIST		REVISIONS			
GP	0	REV	DATE	BY	CHK	APPV	
		0	09FEB04	JB	DS		
		01	12JAN10	KK	AEG		

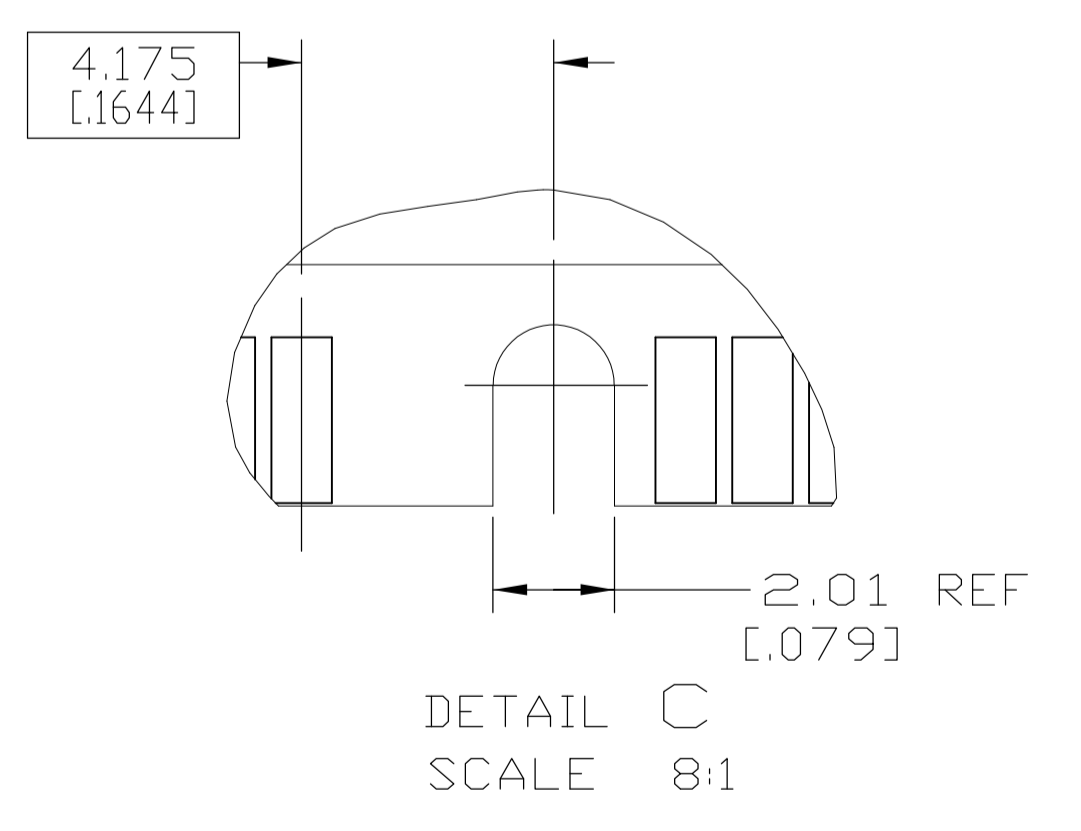
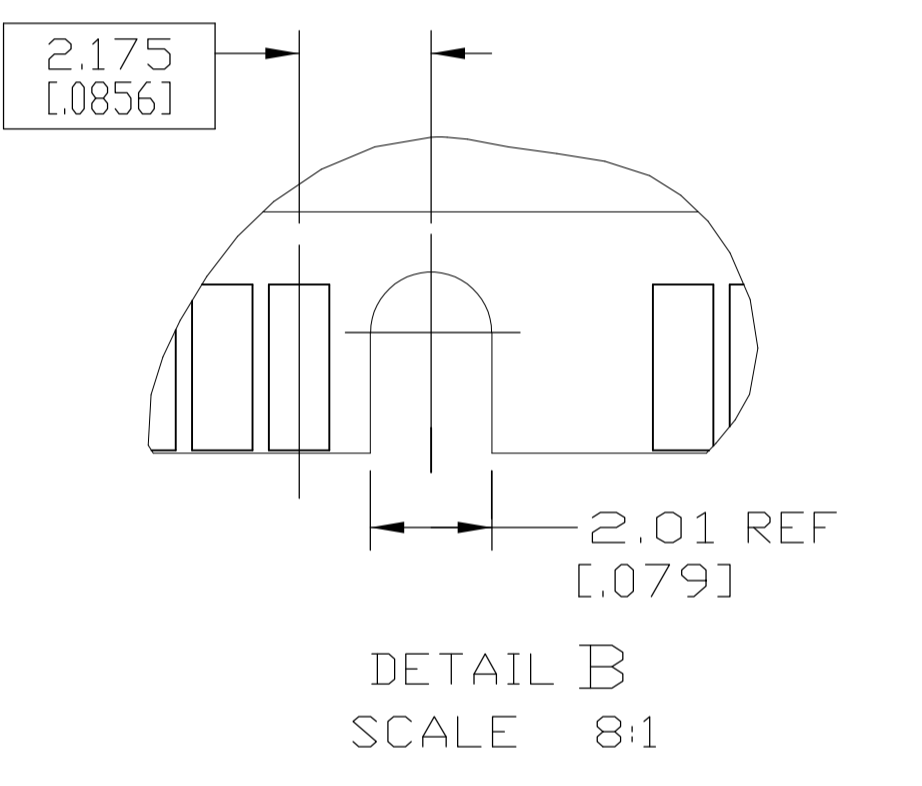
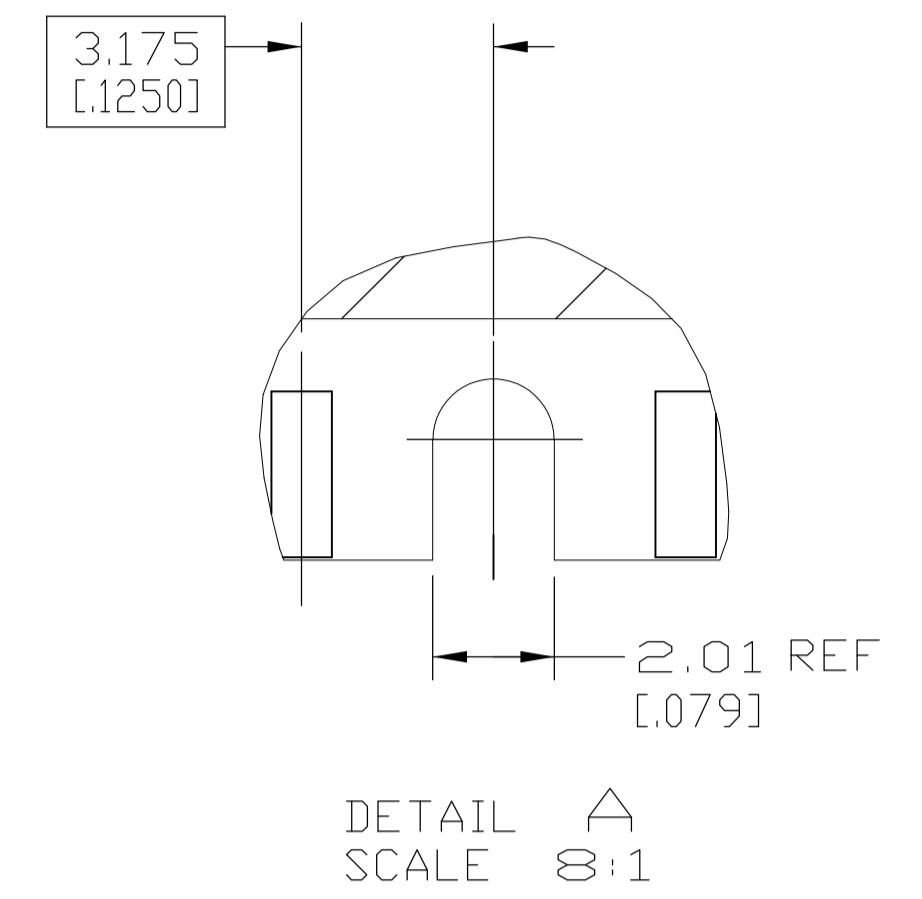
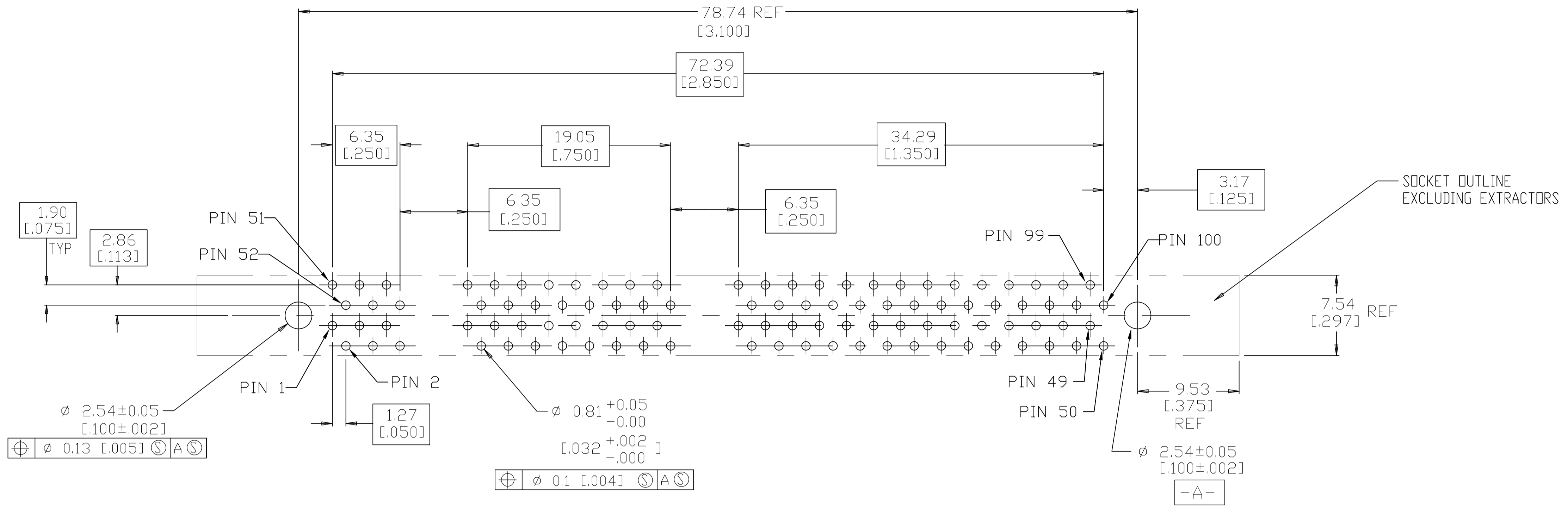


- 1 MATERIAL  
 HOUSING: GLASS FILLED HIGH TEMPERATURE NYLON, COLOR: BLACK.  
 EXTRACTORS: GLASS FILLED HIGH TEMPERATURE NYLON, COLOR: NATURAL (OFF-WHITE).  
 CONTACT: PHOS. BRONZE, C51100, TEMPER H06.
- 2 FINISH  
 CONTACT:  
 NICKEL PLATE ALL OVER 0.00127mm - 0.0019mm [0.00050 IN - 0.00075 IN] THICK.  
 PER AMP SPEC 112-25-2.  
 GOLD PLATE IN INTERFACE AREA 0.00038mm [0.00015 IN] THICK.  
 PER AMP SPEC 112-162-5.  
 LEAD-FREE MATTE TIN PLATE IN SOLDER TAIL AREA 0.00381mm - 0.00635mm [0.00150 IN - 0.00250 IN] THICK PER AMP SPEC 112-65-1.
- 3 CONTACT FINISH: GOLD PLATE IN INTERFACE AREA 0.00076mm [0.00030 IN] THICK PER AMP SPEC 112-162-5. NICKEL UNDERPLATE WILL BE THE SAME AS IN NOTE 2.
- 4 OBSOLETE PARTS: OBSOLETE CIS STREAMLINING PER D.RENAUD/D.SINISI

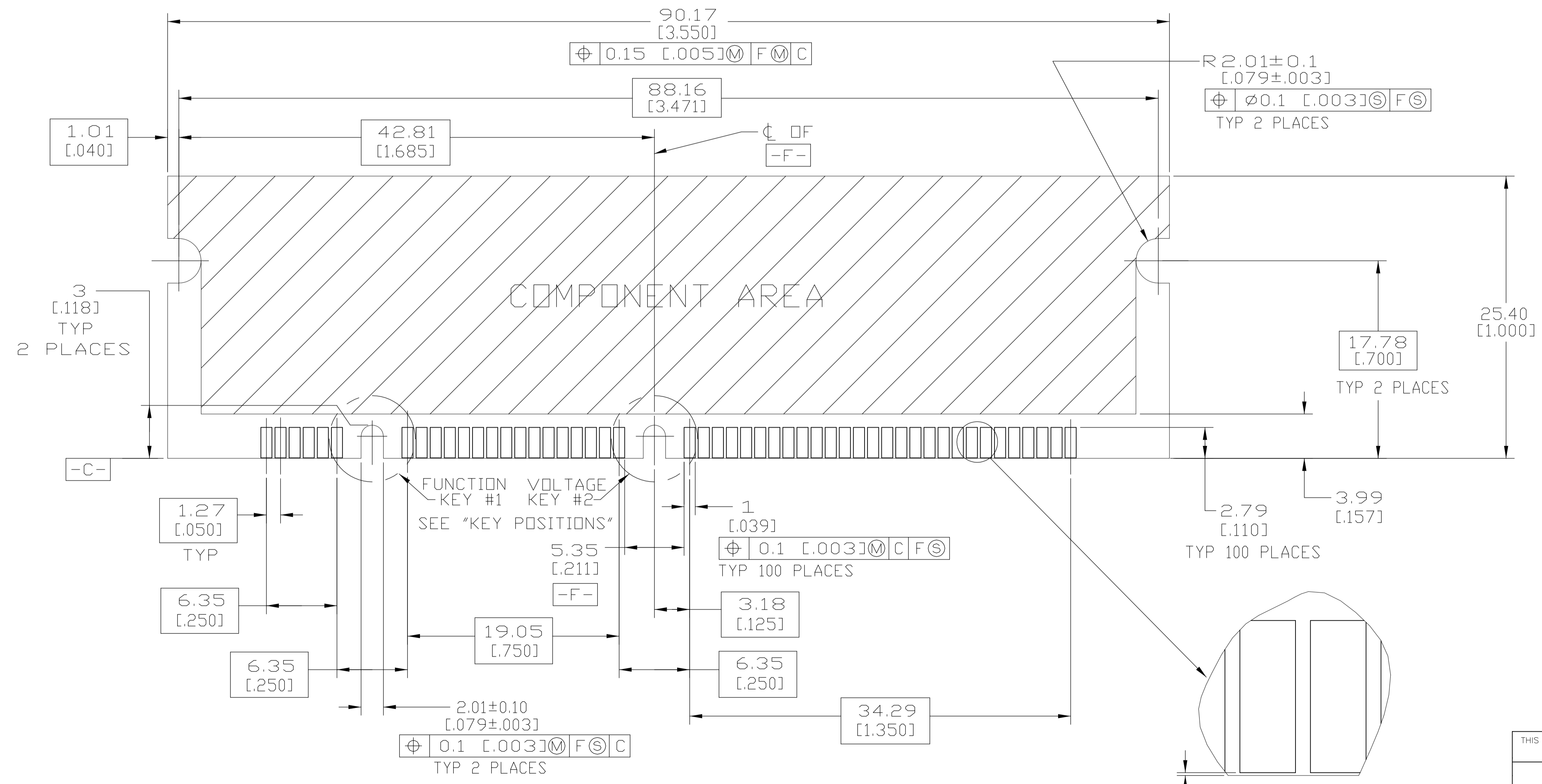
DETAIL	DESCRIPTION	PART NUMBER
DETAIL-C	NON-BUFFERED DRAM, 2.5 VOLT, PRE-PLATED CONTACTS	390484-3
DETAIL-C	NON-BUFFERED DRAM, 3.3 VOLT, PRE-PLATED CONTACTS	390484-2
DETAIL-C	NON-BUFFERED DRAM, 3.3 VOLT, PRE-PLATED CONTACTS	390484-1
FUNCTION KEY #1	VOLTAGE KEY #2	DESCRIPTION
		PART NUMBER

THIS DRAWING IS A CONTROLLED DOCUMENT.

DIMENSIONS: mm [INCHES]	TOLERANCES UNLESS OTHERWISE SPECIFIED:	DIN J.BURWELL 09FEB04	Tyco Electronics Corporation Harrisburg, Pa 17105-3608
0. PLC ± -	1. PLC ± -	CHK D.SHIRLING 09FEB04	NAME
2. PLC ± 0.13 [0.005]	3. PLC ± -	APVD	PRODUCT SPEC
4. PLC ± -	ANGLES ± -		APPLICATION SPEC
MATERIAL 1	FINISH 2	SIZE	CAGE CODE
		A1	00779
		WEIGHT	DRAWING NO
			C=390484
		CUSTOMER DRAWING	SCALE 1:1
			SHEET 1 OF 2
			REV 01



"KEY POSITIONS"



RECOMMENDED MODULE LAYOUT  
 SEE JEDEC SPEC. MD-161 FOR COMPLETE MODULE DETAILS,  
 1.27±0.10 [0.050±0.004] THICK ACROSS PADS

THIS DRAWING IS A CONTROLLED DOCUMENT.		DIN J.BURWELL 09FEB04	Tyco Electronics Corporation Harrisburg, Pa 17105-3608
		CIK D.SHIRLING 09FEB04	
DIMENSIONS: mm [INCHES]		NAME SOCKET ASSEMBLY, DIMM2P LOW INSERTION FORCE, 100 POSN LEAD-FREE	
TOLERANCES UNLESS OTHERWISE SPECIFIED:		PRODUCT SPEC	
0. PLC ± -		APPLICATION SPEC	
1. PLC ± ± 0.13 [0.005]		SIZE CASE CODE DRAWING NO	
2. PLC ± ± -		A1 00779 C=390484	
3. PLC ± ± -		WEIGHT	
4. PLC ANGLES ± ± -		CUSTOMER DRAWING	
MATERIAL FINISH		SCALE 1:1 SHEET 2 OF 2 REV 01	