



Chipsmall Limited consists of a professional team with an average of over 10 year of expertise in the distribution of electronic components. Based in Hongkong, we have already established firm and mutual-benefit business relationships with customers from,Europe,America and south Asia,supplying obsolete and hard-to-find components to meet their specific needs.

With the principle of "Quality Parts,Customers Priority,Honest Operation,and Considerate Service",our business mainly focus on the distribution of electronic components. Line cards we deal with include Microchip,ALPS,ROHM,Xilinx,Pulse,ON,Everlight and Freescale. Main products comprise IC,Modules,Potentiometer,IC Socket,Relay,Connector.Our parts cover such applications as commercial,industrial, and automotives areas.

We are looking forward to setting up business relationship with you and hope to provide you with the best service and solution. Let us make a better world for our industry!



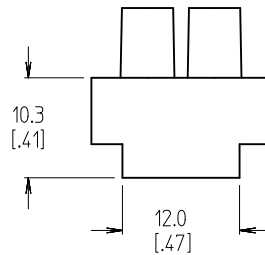
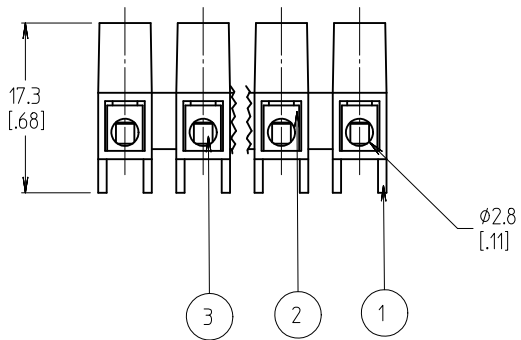
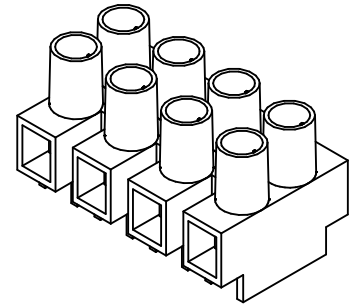
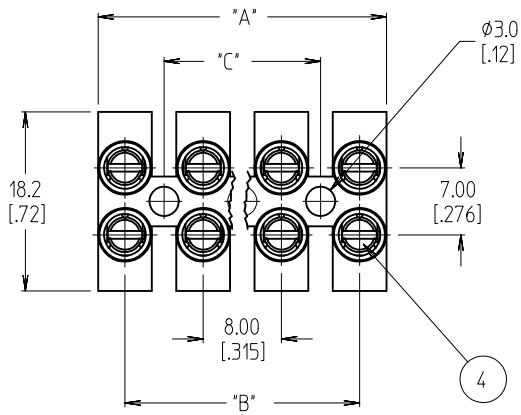
Contact us

Tel: +86-755-8981 8866 Fax: +86-755-8427 6832

Email & Skype: info@chipsmall.com Web: www.chipsmall.com

Address: A1208, Overseas Decoration Building, #122 Zhenhua RD., Futian, Shenzhen, China





NUMBER OF CIRCUITS	"A" DIM.	"B" DIM.	"C" DIM.	MATERIAL NUMBER
01	5.46 [0.215]	N/A	N/A	391000801
02	13.46 [0.530]	8.00 [0.315]	N/A	391000802
03	21.46 [0.845]	16.00 [0.630]	8.00 [0.315]	391000803
04	29.46 [1.160]	24.00 [0.945]	16.00 [0.630]	391000804
05	37.47 [1.475]	32.00 [1.260]	24.00 [0.945]	391000805
06	45.47 [1.790]	40.01 [1.575]	32.00 [1.260]	391000806
07	53.47 [2.105]	48.01 [1.890]	40.00 [1.575]	391000807
08	61.47 [2.420]	56.01 [2.205]	48.00 [1.890]	391000808
09	69.47 [2.735]	64.01 [2.520]	56.00 [2.205]	391000809
10	77.47 [3.050]	72.01 [2.835]	64.00 [2.520]	391000810
11	85.47 [3.365]	80.01 [3.150]	72.00 [2.835]	391000811
12	93.47 [3.680]	88.01 [3.465]	80.00 [3.150]	391000812

NOTES:

- 1. MATERIAL: SEE TABLE
- 2. FINISHES: SEE TABLE
- 3.*XX* REFERS TO THE NUMBER OF CIRCUITS
- 4. ASSEMBLY IS ROHS COMPLIANT BY EXEMPTION. COMPONENTS MARKED WITH AN ASTERISK (*) ARE ROHS COMPLIANT BY EXEMPTION, ALL OTHERS ARE ROHS COMPLIANT.

4	XX*2	CLAMPING SCREWS, M2.6 (B)	STEEL	ZINC
3	XX	WIRE PROTECTOR	BRASS	NICKEL
2	XX	TERMINAL (*)	BRASS	NICKEL
1	1	INSULATOR	NYLON 6	CLEAR
ITEM	QTY.	DESCRIPTION	MATERIAL	FINISH

REVISED & REDRAWN EC NO: WNA2010-0649 DRAWN: CLYORK 2010/04/26 CHKD: DTITUS 2010/04/26 APPR: DTITUS 2010/04/26	DESCRIPTION B	QUALITY SYMBOLS ▽=0 ▽=0	GENERAL TOLERANCES (UNLESS SPECIFIED)		DIMENSION STYLE MM/IN		SCALE 2:1	DESIGN UNITS INCH	THIRD ANGLE PROJECTION																	
		<table border="1"> <thead> <tr> <th></th> <th>mm</th> <th>INCH</th> </tr> </thead> <tbody> <tr> <td>4 PLACES</td> <td>± ---</td> <td>± ---</td> </tr> <tr> <td>3 PLACES</td> <td>± ---</td> <td>± .005</td> </tr> <tr> <td>2 PLACES</td> <td>± 0.13</td> <td>± .010</td> </tr> <tr> <td>1 PLACE</td> <td>± 0.3</td> <td>± ---</td> </tr> </tbody> </table>			mm	INCH	4 PLACES	± ---	± ---	3 PLACES	± ---	± .005	2 PLACES	± 0.13	± .010	1 PLACE	± 0.3	± ---	DRAWN BY CLYORK		DATE 2010/04/26		TITLE 8MM PITCH HIGH PROFILE WITH WIRE PROTECTORS			
			mm	INCH																						
		4 PLACES	± ---	± ---																						
3 PLACES	± ---	± .005																								
2 PLACES	± 0.13	± .010																								
1 PLACE	± 0.3	± ---																								
CHECKED BY DTITUS		DATE 2010/04/26																								
APPROVED BY DTITUS		DATE 2010/04/27		MATERIAL NO.		DOCUMENT NO.		SHEET NO.																		
DRAFT WHERE APPLICABLE MUST REMAIN WITHIN DIMENSIONS				SEE CHART		MOLEX INCORPORATED		SD-39100-002																		
THIS DRAWING CONTAINS INFORMATION THAT IS PROPRIETARY TO MOLEX INCORPORATED AND SHOULD NOT BE USED WITHOUT WRITTEN PERMISSION																										