



Chipsmall Limited consists of a professional team with an average of over 10 year of expertise in the distribution of electronic components. Based in Hongkong, we have already established firm and mutual-benefit business relationships with customers from,Europe,America and south Asia,supplying obsolete and hard-to-find components to meet their specific needs.

With the principle of “Quality Parts,Customers Priority,Honest Operation,and Considerate Service”,our business mainly focus on the distribution of electronic components. Line cards we deal with include Microchip,ALPS,ROHM,Xilinx,Pulse,ON,Everlight and Freescale. Main products comprise IC,Modules,Potentiometer,IC Socket,Relay,Connector.Our parts cover such applications as commercial,industrial, and automotives areas.

We are looking forward to setting up business relationship with you and hope to provide you with the best service and solution. Let us make a better world for our industry!



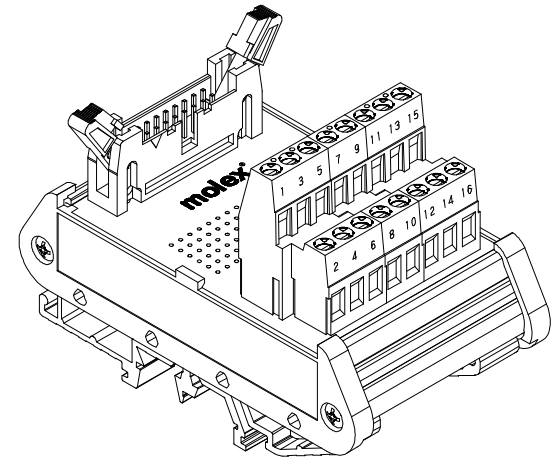
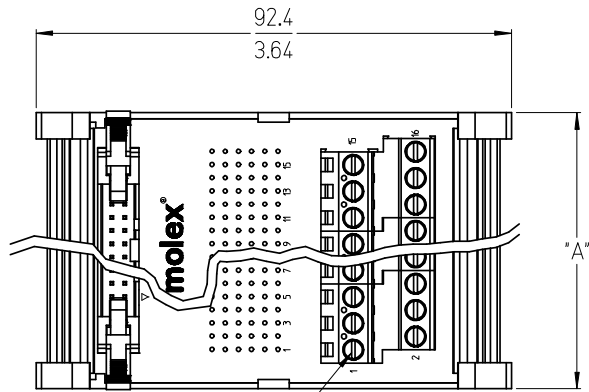
## Contact us

Tel: +86-755-8981 8866 Fax: +86-755-8427 6832

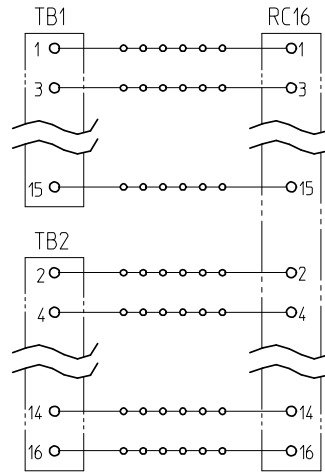
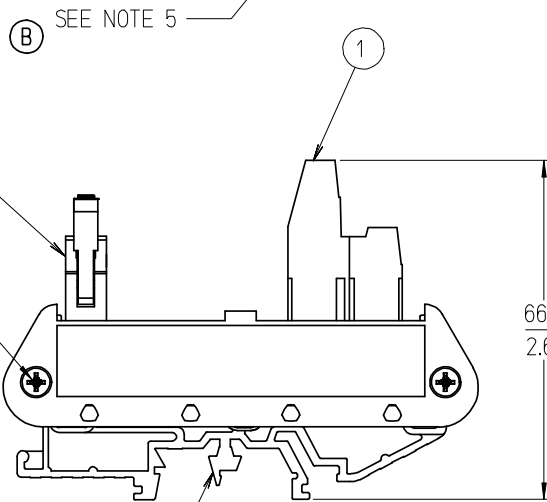
Email & Skype: info@chipsmall.com Web: www.chipsmall.com

Address: A1208, Overseas Decoration Building, #122 Zhenhua RD., Futian, Shenzhen, China





16 POSITION SHOWN



TYPICAL SCHEMATIC  
(16 POSITION SHOWN)

NO. OF CIRCUITS	DIM. "A"		MATERIAL NUMBER
14	50.8	[2.00]	39170-1014
16	53.3	[2.10]	39170-1016
20	61.0	[2.40]	39170-1020
26	76.2	[3.00]	39170-1026
34	95.0	[3.74]	39170-1034
40	111.5	[4.39]	39170-1040
50	135.6	[5.34]	39170-1050

NOTES:

- 1. MATERIAL: SEE TABLE
- 2. FINISHES: SEE TABLE
- 3. MATES WITH: RIBBON CABLE
- (B) 4. END CAP MOUNT SCREW TORQUE: 0.5 N-m (4.4 lbf-in) MINIMUM  
0.6 N-m (5.3 lbf-in) MAXIMUM
- (B) 5. TERMINAL BLOCK SCREW TORQUE: 0.8 N-m (7.1 lbf-in)
- 6. 39170-1050 IS ROHS COMPLIANT, ALL OTHERS NOT REQUIRED.

ITEM	QTY.	DESCRIPTION	MATERIAL	FINISH
3	2	DIN RAIL ADAPTOR UNIT	THERMOPLASTIC	BLACK
2	1	RIBBON CABLE TO 5.08 FIXED, PC BOARD ASSY.	-	-
1	1	5.08 FIXED DUAL LEVEL BTS	SEE SD-39880-006	BLACK

**ADD SCREW TORQUE**  
 EC NO: ETC2007-0331  
 DRWN: CLYORK 2007/03/12  
 CHKD: JMACNEIL 2007/03/14  
 APPR: JMACNEIL 2007/03/15

**QUALITY SYMBOLS**  
 ▽=0  
 ∇=0

**DESCRIPTION**  
 B

**GENERAL TOLERANCES (UNLESS SPECIFIED)**

	mm	INCH
4 PLACES	± ---	± ---
3 PLACES	± ---	± .005
2 PLACES	± 0.13	± .01
1 PLACE	± 0.3	± ---

ANGULAR ± 2 °

DRAFT WHERE APPLICABLE  
 MUST REMAIN WITHIN DIMENSIONS

**DIMENSION STYLE**  
 MM/IN

**SCALE**  
 1:1

**DESIGN UNITS**  
 INCH

**THIRD ANGLE PROJECTION**

**DRAWN BY**  
 C. YORK

**DATE**  
 2004/11/10

**CHECKED BY**  
 R. STONE

**DATE**  
 2004/11/16

**APPROVED BY**  
 G. ROBERTSON

**DATE**  
 2004/11/16

**MATERIAL NO.**  
 SEE CHART

**TITLE**  
 DIN RAIL INTERFACE  
 MODULE, RIBBON CABLE TO  
 5.08MM DUAL LEV. FIXED

**MOLEX INCORPORATED**

**DOCUMENT NO.**  
 SD-39170-005

**SHEET NO.**  
 1 OF 1

**THIS DRAWING CONTAINS INFORMATION THAT IS PROPRIETARY TO MOLEX INCORPORATED AND SHOULD NOT BE USED WITHOUT WRITTEN PERMISSION**