



Chipsmall Limited consists of a professional team with an average of over 10 year of expertise in the distribution of electronic components. Based in Hongkong, we have already established firm and mutual-benefit business relationships with customers from,Europe,America and south Asia,supplying obsolete and hard-to-find components to meet their specific needs.

With the principle of “Quality Parts,Customers Priority,Honest Operation,and Considerate Service”,our business mainly focus on the distribution of electronic components. Line cards we deal with include Microchip,ALPS,ROHM,Xilinx,Pulse,ON,Everlight and Freescale. Main products comprise IC,Modules,Potentiometer,IC Socket,Relay,Connector.Our parts cover such applications as commercial,industrial, and automotives areas.

We are looking forward to setting up business relationship with you and hope to provide you with the best service and solution. Let us make a better world for our industry!



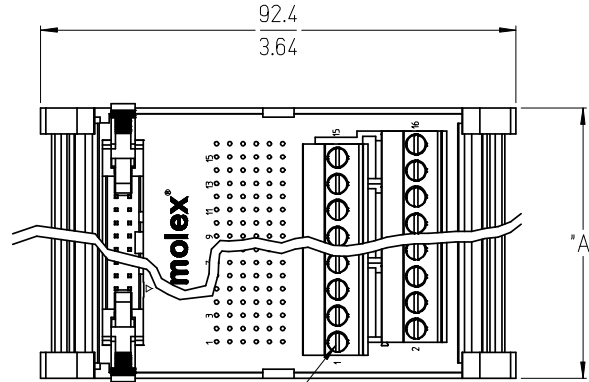
## Contact us

Tel: +86-755-8981 8866 Fax: +86-755-8427 6832

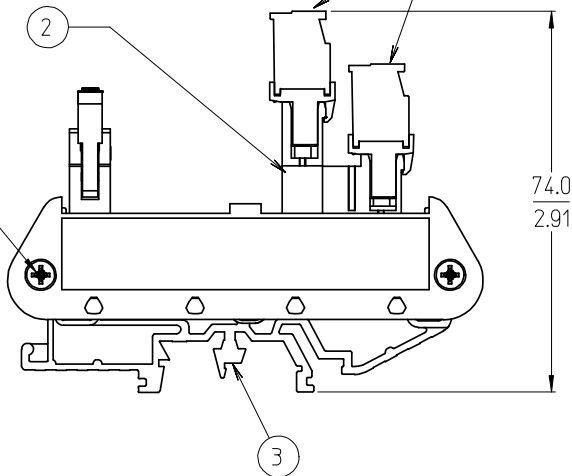
Email & Skype: info@chipsmall.com Web: www.chipsmall.com

Address: A1208, Overseas Decoration Building, #122 Zhenhua RD., Futian, Shenzhen, China

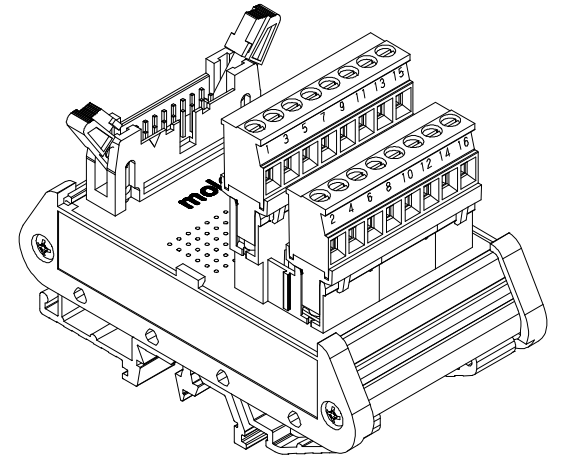




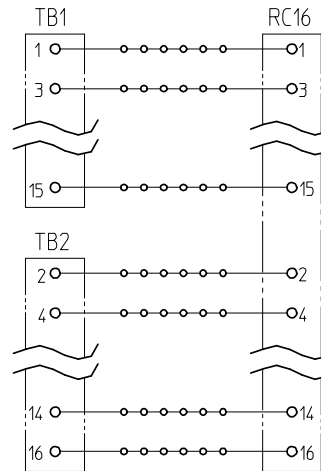
(B) SEE NOTE 5



(B) SEE NOTE 4



16 POSITION SHOWN



TYPICAL SCHEMATIC  
(16 POSITION SHOWN)

| NO. OF CIRCUITS | DIM. "A" |        | MATERIAL NUMBER |
|-----------------|----------|--------|-----------------|
| 14              | 50.8     | [2.00] | 39170-1114      |
| 16              | 53.3     | [2.10] | 39170-1116      |
| 20              | 61.0     | [2.40] | 39170-1120      |
| 26              | 76.2     | [3.00] | 39170-1126      |
| 34              | 95.0     | [3.74] | 39170-1134      |
| 40              | 111.5    | [4.39] | 39170-1140      |
| 50              | 135.6    | [5.34] | 39170-1150      |

NOTES:

- 1. MATERIAL: SEE TABLE
- 2. FINISHES: SEE TABLE
- 3. MATES WITH: RIBBON CABLE
- (B) 4. END CAP MOUNT SCREW TORQUE: 0.5 N-m (4.4 lbf-in) MINIMUM  
0.6 N-m (5.3 lbf-in) MAXIMUM
- (B) 5. TERMINAL BLOCK SCREW TORQUE: 0.8 N-m (7.1 lbf-in)
- 6. ASSEMBLY ROHS COMPLIANCE NOT REQUIRED.

| ITEM | QTY. | DESCRIPTION                                 | MATERIAL         | FINISH |
|------|------|---|------------------|--------|
| 3    | 2    | DIN RAIL ADAPTOR UNIT                       | THERMOPLASTIC    | BLACK  |
| 2    | 1    | RIBBON CABLE TO 5.08 HEADER, PC BOARD ASSY. | -                | -      |
| 1    | 2    | 5.08 PLUGGABLE BTS                          | SEE SD-39860-004 | BLACK  |

ADD SCREW TORQUE  
 EC NO: ETC2007-0331  
 DRWN: CLYORK 2007/03/12  
 CHKD: JMACHEIL 2007/03/14  
 APPR: JMACHEIL 2007/03/15

QUALITY SYMBOLS  
 ▽=0  
 ▽=0

GENERAL TOLERANCES (UNLESS SPECIFIED)

|          | mm    | INCH  |
|----------|-------|-------|
| 4 PLACES | ±---  | ±---  |
| 3 PLACES | ±---  | ±.005 |
| 2 PLACES | ±0.13 | ±.01  |
| 1 PLACE  | ±0.3  | ±---  |

ANGULAR ± 2 °

DRAFT WHERE APPLICABLE  
 MUST REMAIN WITHIN DIMENSIONS

DIMENSION STYLE  
**MM/IN**

SCALE  
**1:1**

DESIGN UNITS  
**INCH**

THIRD ANGLE PROJECTION

DRAWN BY: C. YORK DATE: 2004/11/10  
 CHECKED BY: R. STONE DATE: 2004/11/16  
 APPROVED BY: G. ROBERTSON DATE: 2004/11/16

MATERIAL NO.  
**SEE CHART**

SIZE  
**B**

TITLE  
**DIN RAIL INTERFACE MODULE, RIBBON CABLE TO 5.08MM VERT EURO PLUG**

**MOLEX INCORPORATED**

DOCUMENT NO.  
**SD-39170-006**

SHEET NO.  
**1 OF 1**

THIS DRAWING CONTAINS INFORMATION THAT IS PROPRIETARY TO MOLEX INCORPORATED AND SHOULD NOT BE USED WITHOUT WRITTEN PERMISSION