



Chipsmall Limited consists of a professional team with an average of over 10 year of expertise in the distribution of electronic components. Based in Hongkong, we have already established firm and mutual-benefit business relationships with customers from,Europe,America and south Asia,supplying obsolete and hard-to-find components to meet their specific needs.

With the principle of “Quality Parts,Customers Priority,Honest Operation,and Considerate Service”,our business mainly focus on the distribution of electronic components. Line cards we deal with include Microchip,ALPS,ROHM,Xilinx,Pulse,ON,Everlight and Freescale. Main products comprise IC,Modules,Potentiometer,IC Socket,Relay,Connector.Our parts cover such applications as commercial,industrial, and automotives areas.

We are looking forward to setting up business relationship with you and hope to provide you with the best service and solution. Let us make a better world for our industry!



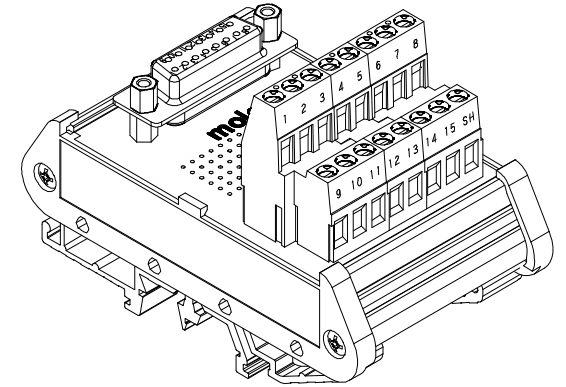
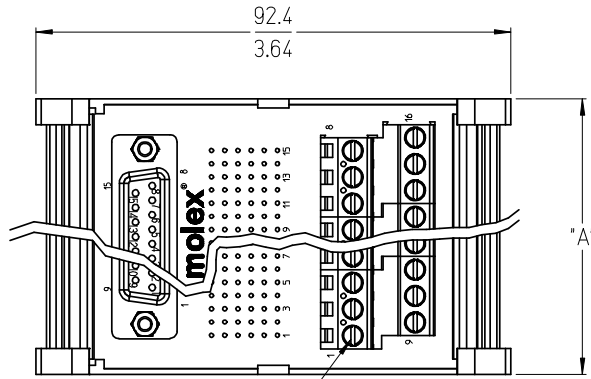
Contact us

Tel: +86-755-8981 8866 Fax: +86-755-8427 6832

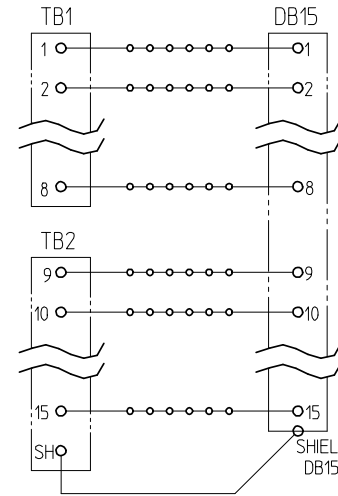
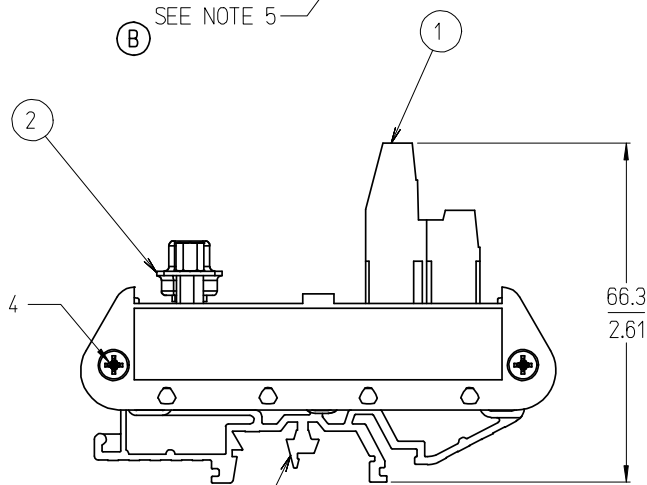
Email & Skype: info@chipsmall.com Web: www.chipsmall.com

Address: A1208, Overseas Decoration Building, #122 Zhenhua RD., Futian, Shenzhen, China





15 POSITION SHOWN



TYPICAL SCHEMATIC (15 POSITION SHOWN)

NO. OF CIRCUITS	DIM. "A"		MATERIAL NUMBER
09	39.4	[1.55]	39170-3009
15	54.4	[2.14]	39170-3015
25	79.8	[3.14]	39170-3025
37	106.4	[4.19]	39170-3037

NOTES:

- 1. MATERIAL: SEE TABLE
- 2. FINISHES: SEE TABLE
- 3. MATES WITH: MALE D-SUB
- 4. END CAP MOUNT SCREW TORQUE: 0.5 N-m (4.4 lbf-in) MINIMUM
0.6 N-m (5.3 lbf-in) MAXIMUM
- 5. TERMINAL BLOCK SCREW TORQUE: 0.8 N-m (7.1 lbf-in)
- 6. ASSEMBLY ROHS COMPLIANCE NOT REQUIRED.

ITEM	QTY.	DESCRIPTION	MATERIAL	FINISH
3	2	DIN RAIL ADAPTOR UNIT	THERMOPLASTIC	BLACK
2	1	FEMALE D-SUB TO 5.08 FIXED, PC BOARD ASSY.	-	-
1	1	5.08 FIXED DUAL LEVEL BTS	SEE SD-39880-006	BLACK

ADD SCREW TORQUE
 EC NO: ETC2007-0331
 DRWN: CLYORK 2007/03/12
 CHKD: JMACNEIL 2007/03/14
 APPR: JMACNEIL 2007/03/15

QUALITY SYMBOLS
 ▽=0
 ∇=0

GENERAL TOLERANCES (UNLESS SPECIFIED)	
	MM/IN
4 PLACES	± --- ± ---
3 PLACES	± --- ± .005
2 PLACES	± 0.13 ± .01
1 PLACE	± 0.3 ± ---
ANGULAR ± 2 °	

DIMENSION STYLE
 MM/IN

DRAWN BY: C. YORK DATE: 2004/11/09
 CHECKED BY: R. STONE DATE: 2004/11/16
 APPROVED BY: G. ROBERTSON DATE: 2004/11/16

SCALE: 1:1
 DESIGN UNITS: INCH
 THIRD ANGLE PROJECTION

TITLE: DIN RAIL INTERFACE MODULE, FEMALE D-SUB TO 5.08MM DUAL LEV. FIXED

MATERIAL NO.: SEE CHART
 DOCUMENT NO.: SD-39170-002
 SHEET NO.: 1 OF 1

THIS DRAWING CONTAINS INFORMATION THAT IS PROPRIETARY TO MOLEX INCORPORATED AND SHOULD NOT BE USED WITHOUT WRITTEN PERMISSION