



Chipsmall Limited consists of a professional team with an average of over 10 year of expertise in the distribution of electronic components. Based in Hongkong, we have already established firm and mutual-benefit business relationships with customers from,Europe,America and south Asia,supplying obsolete and hard-to-find components to meet their specific needs.

With the principle of “Quality Parts,Customers Priority,Honest Operation,and Considerate Service”,our business mainly focus on the distribution of electronic components. Line cards we deal with include Microchip,ALPS,ROHM,Xilinx,Pulse,ON,Everlight and Freescale. Main products comprise IC,Modules,Potentiometer,IC Socket,Relay,Connector.Our parts cover such applications as commercial,industrial, and automotives areas.

We are looking forward to setting up business relationship with you and hope to provide you with the best service and solution. Let us make a better world for our industry!



Contact us

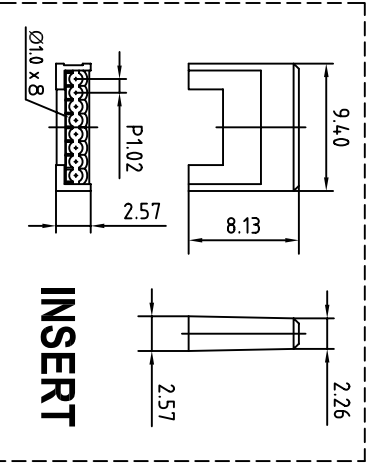
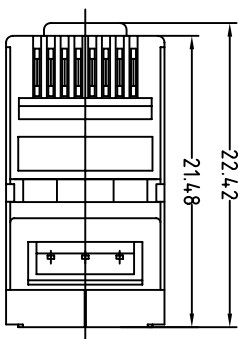
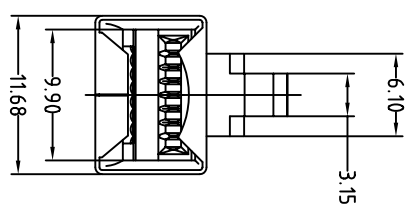
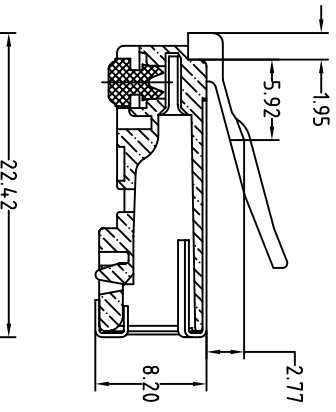
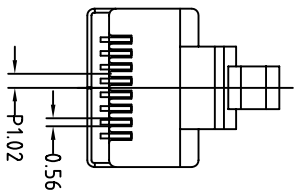
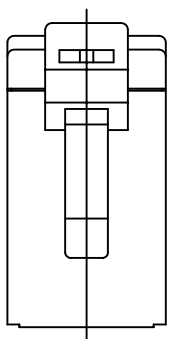
Tel: +86-755-8981 8866 Fax: +86-755-8427 6832

Email & Skype: info@chipsmall.com Web: www.chipsmall.com

Address: A1208, Overseas Decoration Building, #122 Zhenhua RD., Futian, Shenzhen, China



used for:



Notes:

1. Electrical Specifications:

- Meets TIA/EIA-606-B.2 and IEC60603-7-3 Specifications
- Contact Resistance: 20 mOhm max.
- Termination Resistance: 35 mOhm max.
- Insulation Resistance: 500 MOhm min @ 100V DC
- Current Rating 1.5A max @ 25°C
- DWV: 1000V DC/60s Contact to Contact
- 1500V DC/60s Contact to Metal Shell
- Operation Temperature: -40°C to +125°C.

2. Material and Finish:

- Ⓟ Housing: Polycarbonate, UL94 V-0, Color: Transparency
- Ⓟ Shell: Copper Alloy with 50u" min Nickel Plating
- Contact: Phosphor Bronze.
- Contact Finish: 50u" Au min over 50u" min Nickel

3. Suitable for AWG24 - 26 Stranded and Solid Wires

4. Cable Tensile Strength: 7.7kg

5. RoHS compliant



THIS DRAWING MAY NOT BE COPIED OR REPRODUCED IN ANY WAY, AND MAY NOT BE PASSED ON TO A THIRD PARTY WITHOUT WRITTEN PERMISSION. OWNERSHIP AND COPYRIGHT OF CONEC CORPORATION

DO NOT ALTER CAD DRAWING BY HAND

tolerance	Angles: 3°
Unless otherwise specified tolerance shall be as follow	
Decimal: X .44 .25	
xx .48 .15	

rev	a	b	origin	date	name
1			May/15/07		Vincent Ke

finish	date	name	title
2006	Sept. 08	Vincent Ke	Shielded Cat. 5e RJ45 Plug with one Insert with 2 prongs pin for both stranded & solid wires
drawn:	appd.:	J. Chaudry	RoHS compliant
norm			

scale:	material:
SEE NOTES	

drawing no.:	part no.:
AutocAD 2005	39K1A270
DIN A3	391J00039X
Sheet 1/1	

