



Chipsmall Limited consists of a professional team with an average of over 10 year of expertise in the distribution of electronic components. Based in Hongkong, we have already established firm and mutual-benefit business relationships with customers from,Europe,America and south Asia,supplying obsolete and hard-to-find components to meet their specific needs.

With the principle of “Quality Parts,Customers Priority,Honest Operation,and Considerate Service”,our business mainly focus on the distribution of electronic components. Line cards we deal with include Microchip,ALPS,ROHM,Xilinx,Pulse,ON,Everlight and Freescale. Main products comprise IC,Modules,Potentiometer,IC Socket,Relay,Connector.Our parts cover such applications as commercial,industrial, and automotives areas.

We are looking forward to setting up business relationship with you and hope to provide you with the best service and solution. Let us make a better world for our industry!



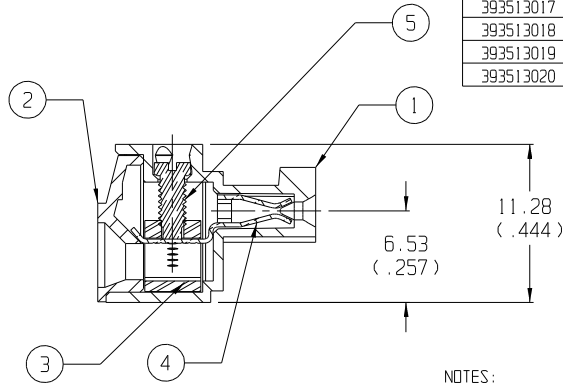
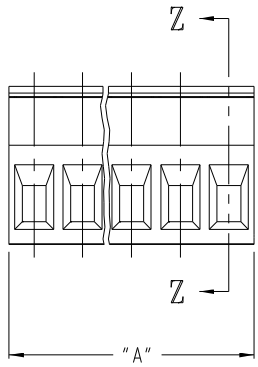
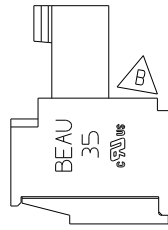
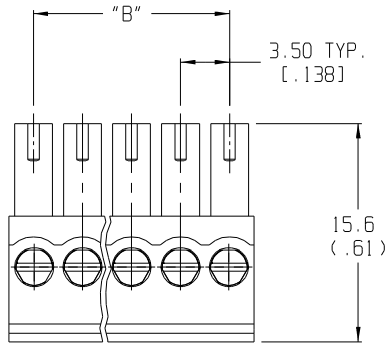
Contact us

Tel: +86-755-8981 8866 Fax: +86-755-8427 6832

Email & Skype: info@chipsmall.com Web: www.chipsmall.com

Address: A1208, Overseas Decoration Building, #122 Zhenhua RD., Futian, Shenzhen, China





SECTION Z-Z

BLUE MATERIAL NO.	ORANGE MATERIAL NO.	GREEN MATERIAL NO.	BLACK MATERIAL NO.	BLACK (GOLD OPT) MATERIAL NO.	NUMBER OF CIRCUITS "XX"	DIM. "A" ±.13 (.010)	DIM. "B"
393513002	393512002	393511002	393510002	393510102	02	7.1 (.28)	3.50 (.138)
393513003	393512003	393511003	393510003	393510103	03	10.4 (.41)	7.00 (.276)
393513004	393512004	393511004	393510004	393510104	04	14.0 (.55)	10.50 (.413)
393513005	393512005	393511005	393510005	393510105	05	17.5 (.69)	14.00 (.551)
393513006	393512006	393511006	393510006	393510106	06	21.1 (.83)	17.50 (.689)
393513007	393512007	393511007	393510007	393510107	07	24.6 (.97)	21.00 (.827)
393513008	393512008	393511008	393510008	393510108	08	28.0 (1.10)	24.50 (.965)
393513009	393512009	393511009	393510009	393510109	09	31.5 (1.24)	28.00 (1.102)
393513010	393512010	393511010	393510010	393510110	10	35.1 (1.38)	31.50 (1.240)
393513011	393512011	393511011	393510011	393510111	11	38.6 (1.52)	35.00 (1.378)
393513012	393512012	393511012	393510012	393510112	12	41.9 (1.65)	38.50 (1.516)
393513013	393512013	393511013	393510013	393510113	13	45.5 (1.79)	42.00 (1.654)
393513014	393512014	393511014	393510014	393510114	14	49.0 (1.93)	45.50 (1.791)
393513015	393512015	393511015	393510015	393510115	15	52.6 (2.07)	49.00 (1.929)
393513016	393512016	393511016	393510016	393510116	16	56.1 (2.21)	52.50 (2.067)
393513017	393512017	393511017	393510017	393510117	17	59.4 (2.34)	56.00 (2.205)
393513018	393512018	393511018	393510018	393510118	18	63.0 (2.48)	59.50 (2.343)
393513019	393512019	393511019	393510019	393510119	19	66.6 (2.62)	63.00 (2.480)
393513020	393512020	393511020	393510020	393510120	20	70.1 (2.76)	66.50 (2.618)

NOTES:

1. MATERIAL: SEE TABLE
2. FINISHES: SEE TABLE
3. PRODUCT SPECIFICATION: NOT REQUIRED
4. PACKAGING: NOT REQUIRED
5. MATES WITH: 35 SERIES HEADER.
6. ALL FEATURES ARE TYPICAL UNLESS OTHERWISE NOTED.

ITEM	QTY.	DESCRIPTION	MATERIAL	FINISH
5	XX	SCREW (M2 X 0.4 - 6g)	SILICON/BRONZE	BRIGHT NICKEL/CU
4	XX	TERMINAL	BERYLLIUM/COPPER	HOT TIN DIP GOLD PLATED
3	XX	CAGE	BRASS	BRIGHT NICKEL/CU
2	1	PLUG COVER	POLYAMIDE 4/6	SEE CHART
1	1	PLUG BASE	POLYAMIDE 4/6	SEE CHART

EC NO: 11432	DRWN: WH 08-14-03
CHK: CJK	APPR:
REV: D	DESCRIPTION:

QUALITY SYMBOLS	MAJOR =	CRITICAL =
-----------------	---------	------------

GENERAL TOLERANCES: (UNLESS SPECIFIED)	
4 PLACES	±.015
3 PLACES	±.038
2 PLACES	±.13
1 PLACE	±.3
ANGULAR: ±2°	
DRAFT WHERE APPLICABLE MUST REMAIN WITHIN DIMENSIONS	

SCALE: 3:1	DESIGN UNITS: <input type="checkbox"/> mm <input checked="" type="checkbox"/> INCH
DRAWN BY & DATE: R. STONE 9-17-01	
CHECKED BY & DATE: P. WALTZ 9-17-01	
APPROVED BY & DATE: L. ROTHHAUS 9-17-01	
CAD FILENAME: 3505XX	

PROJECT NO. E-602		SHT	REV
DIMENSIONS: <input checked="" type="checkbox"/> mm <input type="checkbox"/> INCH <input type="checkbox"/> mm ONLY		REVISE ON CAD ONLY	
THIRD ANGLE PROJECTION			
TITLE: 3.5mm PLUG ASSEMBLY (NO MTG. ENDS)			
MOLEX INCORPORATED			
MATERIAL NO. SEE CHART	DRAWING NO. SD-39351-001	SHEET NO. 1 OF 1	
THIS DRAWING CONTAINS INFORMATION THAT IS PROPRIETARY TO MOLEX INCORPORATED AND SHOULD NOT BE USED WITHOUT WRITTEN PERMISSION.			SIZE B