



Chipsmall Limited consists of a professional team with an average of over 10 year of expertise in the distribution of electronic components. Based in Hongkong, we have already established firm and mutual-benefit business relationships with customers from,Europe,America and south Asia,supplying obsolete and hard-to-find components to meet their specific needs.

With the principle of “Quality Parts,Customers Priority,Honest Operation,and Considerate Service”,our business mainly focus on the distribution of electronic components. Line cards we deal with include Microchip,ALPS,ROHM,Xilinx,Pulse,ON,Everlight and Freescale. Main products comprise IC,Modules,Potentiometer,IC Socket,Relay,Connector.Our parts cover such applications as commercial,industrial, and automotives areas.

We are looking forward to setting up business relationship with you and hope to provide you with the best service and solution. Let us make a better world for our industry!



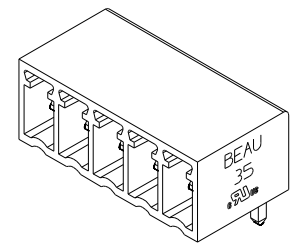
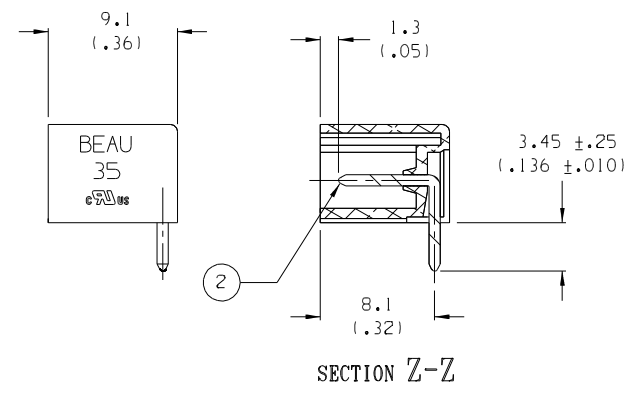
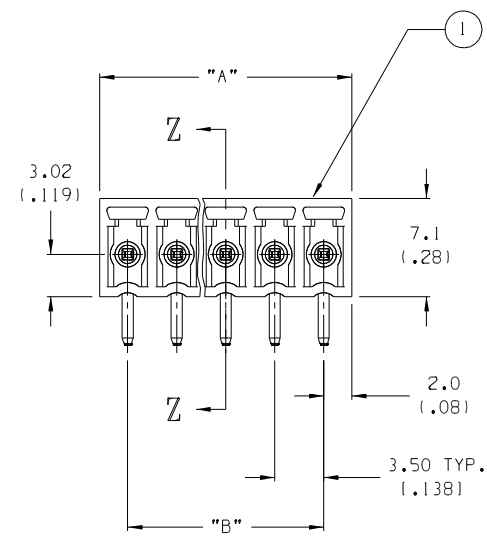
Contact us

Tel: +86-755-8981 8866 Fax: +86-755-8427 6832

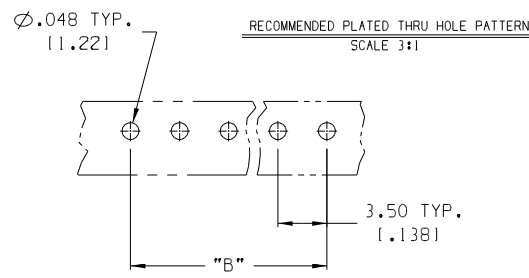
Email & Skype: info@chipsmall.com Web: www.chipsmall.com

Address: A1208, Overseas Decoration Building, #122 Zhenhua RD., Futian, Shenzhen, China





5 CIRCUIT SHOWN



NOTES:

1. MATERIAL: SEE TABLE
2. FINISHES: SEE TABLE
3. PRODUCT SPECIFICATION: NOT REQUIRED
4. PACKAGING: NOT REQUIRED
5. MATES WITH: 35 SERIES PLUG.
6. ALL FEATURES ARE TYPICAL UNLESS OTHERWISE NOTED.

2	XX	RIGHT ANGLE PIN	BRASS C 26000	BRT.TIN/CU
1	1	HEADER	POLYAMIDE 4/6	SEE CHART
ITEM	QTY.	DESCRIPTION	MATERIAL NO.	FINISH

EC NO. ECN# 3972 DRAWN: CY 12-29-04 CH: K1 APPR: H	QUALITY SYMBOLS MAJOR : CRITICAL : C :	GENERAL TOLERANCES: (UNLESS SPECIFIED) mm INCH 4 PLACES ±.0015 3 PLACES ±.038 ±.005 2 PLACES ±.13 ±.01 1 PLACE ±.3		SCALE 3:1 DESIGN UNITS <input type="checkbox"/> mm <input checked="" type="checkbox"/> INCH	THIRD ANGLE PROJECTION	PROJECT NO. E-602 DIMENSIONS: <input checked="" type="checkbox"/> mm <input type="checkbox"/> INCH <input type="checkbox"/> mm ONLY <input type="checkbox"/> INCH ONLY	SHT REV REVISE ON CAD ONLY
		DRAWN BY & DATE R.STONE 9-17-01 CHECKED BY & DATE R.KEMP 1-4-02 APPROVED BY & DATE L.ROTHAUS 1-5-02		TITLE: 3.5mm HEADER ASSEMBLY-RIGHT ANGLE PINS (NO MOUNTING ENDS)		MOLEX INCORPORATED MATERIAL NO. SEE CHART DRAWING NO. SD-39355-001 SHEET NO. 1 OF 2	
DRAFT WHERE APPLICABLE MUST REMAIN WITHIN DIMENSIONS				THIS DRAWING CONTAINS INFORMATION THAT IS PROPRIETARY TO MOLEX INCORPORATED AND SHOULD NOT BE USED WITHOUT WRITTEN PERMISSION.			

10 9 8 7 6 5 4 3 2 SD-39355-001

F

E

D

C

B

A

F

E

D

C

B

A

NUMBER OF CIRCUITS "XX"	DIM. "B"	DIM. "A" ±.13 (.010)	BLUE MATERIAL NO.	ORANGE MATERIAL NO.	GREEN MATERIAL NO.	BLACK MATERIAL NO.	BLACK (GOLD OPT) MATERIAL NO.
02	3.50 (.138)	7.51 (.296)	393553002	393552002	393551002	393550002	393550102
03	7.00 (.276)	11.01 (.433)	393553003	393552003	393551003	393550003	393550103
04	10.50 (.413)	14.51 (.571)	393553004	393552004	393551004	393550004	393550104
05	14.00 (.551)	18.01 (.709)	393553005	393552005	393551005	393550005	393550105
06	17.50 (.689)	21.51 (.847)	393553006	393552006	393551006	393550006	393550106
07	21.00 (.827)	25.01 (.985)	393553007	393552007	393551007	393550007	393550107
08	24.50 (.965)	28.51 (1.122)	393553008	393552008	393551008	393550008	393550108
09	28.00 (1.102)	32.01 (1.260)	393553009	393552009	393551009	393550009	393550109
10	31.50 (1.240)	35.51 (1.398)	393553010	393552010	393551010	393550010	393550110
11	35.00 (1.378)	39.01 (1.536)	393553011	393552011	393551011	393550011	393550111
12	38.50 (1.516)	42.51 (1.674)	393553012	393552012	393551012	393550012	393550112
13	42.00 (1.654)	46.01 (1.811)	393553013	393552013	393551013	393550013	393550113
14	45.50 (1.791)	49.51 (1.949)	393553014	393552014	393551014	393550014	393550114
15	49.00 (1.929)	53.01 (2.087)	393553015	393552015	393551015	393550015	393550115
16	52.50 (2.067)	56.51 (2.225)	393553016	393552016	393551016	393550016	393550116
17	56.00 (2.205)	60.01 (2.363)	393553017	393552017	393551017	393550017	393550117
18	59.50 (2.343)	63.51 (2.500)	393553018	393552018	393551018	393550018	393550118
19	63.00 (2.480)	67.01 (2.638)	393553019	393552019	393551019	393550019	393550119
20	66.50 (2.618)	70.51 (2.776)	393553020	393552020	393551020	393550020	393550120

PROJECT NO. E-602	SHT	REV
DIMENSIONS:	REVISE ON CAD ONLY	
<input checked="" type="checkbox"/> mm	<input type="checkbox"/> INCH	<input type="checkbox"/> mm ONLY
<input type="checkbox"/> INCH	<input type="checkbox"/> mm	

EC NO. SEE SHT. 1 DRAWN: CH'K1 APPR:	DESCRIPTION MAJOR CRITICAL C	QUALITY SYMBOLS	GENERAL TOLERANCES* (UNLESS SPECIFIED)	SCALE 3:1	DESIGN UNITS <input type="checkbox"/> mm <input checked="" type="checkbox"/> INCH	THIRD ANGLE PROJECTION	TITLE: 3.5mm HEADER ASSEMBLY-RIGHT ANGLE PINS (NO MOUNTING ENDS)
		MAJOR	mm INCH	DRAWN BY & DATE R.STONE 9-17-01	<input checked="" type="checkbox"/> mm <input checked="" type="checkbox"/> INCH	CHECKED BY & DATE R.KEMP 1-4-02	APPROVED BY & DATE L.ROTHAUS 1-5-02
CRITICAL	C	4 PLACES ±.0015	3 PLACES ±.038 ±.005	2 PLACES ±.13 ±.01	1 PLACE ±.3	ANGULAR: ±2°	CAD FILENAME 3519XX
REV		DRAFT WHERE APPLICABLE MUST REMAIN WITHIN DIMENSIONS		THIS DRAWING CONTAINS INFORMATION THAT IS PROPRIETARY TO MOLEX INCORPORATED AND SHOULD NOT BE USED WITHOUT WRITTEN PERMISSION.		MATERIAL NO. SEE CHART	
						DRAWING NO. SD-39355-001	
						SHEET NO. 2 OF 2	
						SIZE B	

10 9 8 7 6 5 4 3 2 1