



Chipsmall Limited consists of a professional team with an average of over 10 year of expertise in the distribution of electronic components. Based in Hongkong, we have already established firm and mutual-benefit business relationships with customers from,Europe,America and south Asia,supplying obsolete and hard-to-find components to meet their specific needs.

With the principle of “Quality Parts,Customers Priority,Honest Operation,and Considerate Service”,our business mainly focus on the distribution of electronic components. Line cards we deal with include Microchip,ALPS,ROHM,Xilinx,Pulse,ON,Everlight and Freescale. Main products comprise IC,Modules,Potentiometer,IC Socket,Relay,Connector.Our parts cover such applications as commercial,industrial, and automotives areas.

We are looking forward to setting up business relationship with you and hope to provide you with the best service and solution. Let us make a better world for our industry!



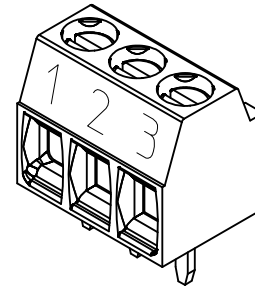
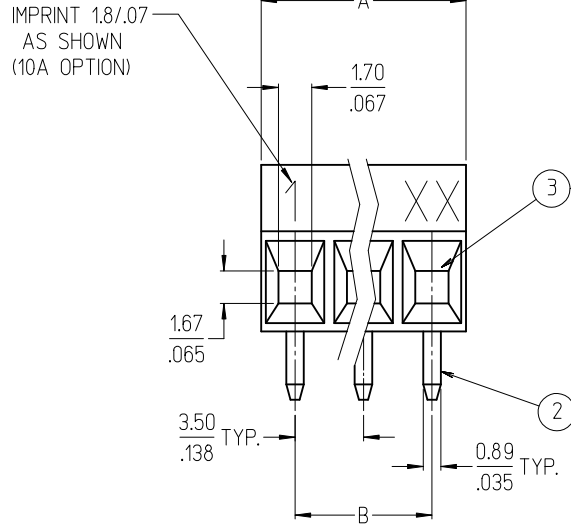
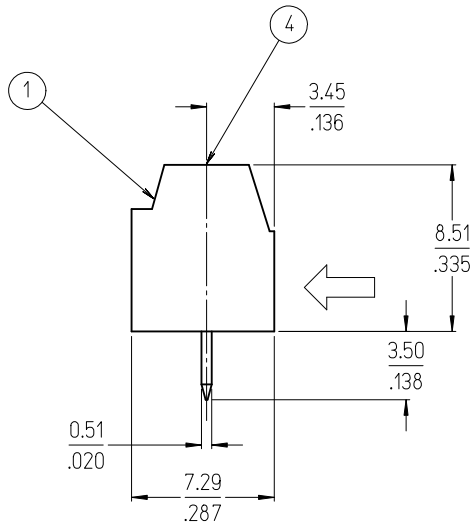
Contact us

Tel: +86-755-8981 8866 Fax: +86-755-8427 6832

Email & Skype: info@chipsmall.com Web: www.chipsmall.com

Address: A1208, Overseas Decoration Building, #122 Zhenhua RD., Futian, Shenzhen, China



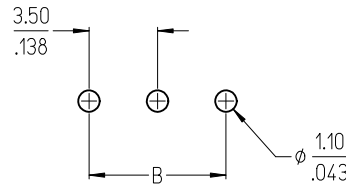


3 CIRCUIT AND 10A IMPRINTING OPTION SHOWN

NO. OF CIRCUITS "XX"	DIM. "A"	DIM. "B"	MATERIAL NO.	MATERIAL NO. 10A IMPRINT
02	7.0 (.28)	3.50 (.138)	39357-0002	393590006
03	10.5 (.41)	7.00 (.276)	39357-0003	393590004
04	14.0 (.55)	10.50 (.413)	39357-0004	
05	17.5 (.69)	14.00 (.551)	39357-0005	393590003
06	21.0 (.83)	17.50 (.689)	39357-0006	
07	24.5 (.96)	21.00 (.827)	39357-0007	
08	28.0 (1.10)	24.50 (.965)	39357-0008	
09	31.5 (1.24)	28.00 (1.102)	39357-0009	
10	35.0 (1.38)	31.50 (1.240)	39357-0010	
11	38.5 (1.52)	35.00 (1.378)	39357-0011	
12	42.0 (1.65)	38.50 (1.516)	39357-0012	
13	45.5 (1.79)	42.00 (1.654)	39357-0013	
14	49.0 (1.93)	45.50 (1.791)	39357-0014	
15	52.5 (2.07)	49.00 (1.929)	39357-0015	
16	56.0 (2.20)	52.50 (2.067)	39357-0016	
17	59.5 (2.34)	56.00 (2.205)	39357-0017	
18	63.0 (2.48)	59.50 (2.343)	39357-0018	
19	66.5 (2.62)	63.00 (2.480)	39357-0019	
20	70.0 (2.76)	66.50 (2.618)	39357-0020	
21	73.5 (2.89)	70.00 (2.756)	39357-0021	
22	77.0 (3.03)	73.50 (2.894)	39357-0022	
23	80.5 (3.17)	77.00 (3.031)	39357-0023	
24	84.0 (3.31)	80.50 (3.169)	39357-0024	
25	87.5 (3.44)	84.00 (3.307)	39357-0025	

NOTES:

- MATERIAL: SEE TABLE
- FINISHES: SEE TABLE
- ASSEMBLY IS ROHS COMPLIANT BY EXEMPTION. COMPONENTS MARKED WITH AN ASTERISK (*) ARE ROHS COMPLIANT BY EXEMPTION, ALL OTHERS ARE ROHS COMPLIANT.



ITEM	QTY.	DESCRIPTION	MATERIAL	FINISH
4	XX	SCREW, M2	COPPER ALLOY	NICKEL
3	XX	CAGE CLAMP (*)	COPPER ALLOY	NICKEL
2	XX	TERMINAL, PC	COPPER ALLOY	TIN
1	1	INSULATOR	POLYAMIDE	BLACK

ADD MATERIAL NO.
 EC NO: WNA2011-0328
 TIDRWA/CLYORK 2010/12/10
 CHKD:DTITUS
 APPR:DTITUS 2010/12/15

QUALITY SYMBOLS
 ▽=0
 ▽=0

GENERAL TOLERANCES (UNLESS SPECIFIED)
 mm INCH
 4 PLACES ± --- ± ---
 3 PLACES ± --- ± .005
 2 PLACES ± 0.13 ± .010
 1 PLACE ± 0.3 ± ---
 ANGULAR ± 2 °
 DRAFT WHERE APPLICABLE MUST REMAIN WITHIN DIMENSIONS

DIMENSION STYLE MM/IN
 DRAWN BY DATE
 CLYORK 2010/12/10
 CHECKED BY DATE
 DTITUS 2010/12/10
 APPROVED BY DATE
 DTITUS 2010/12/15

SCALE 1:1
 DESIGN UNITS INCH
 THIRD ANGLE PROJECTION
 TITLE 3.5MM EUROSTYLE LOW, SINGLE ROW FIXED BLOCK
 MOLEX INCORPORATED
 MATERIAL NO. SEE CHART
 DOCUMENT NO. SD-39357-001
 SHEET NO. 1 OF 1