



Chipsmall Limited consists of a professional team with an average of over 10 year of expertise in the distribution of electronic components. Based in Hongkong, we have already established firm and mutual-benefit business relationships with customers from,Europe,America and south Asia,supplying obsolete and hard-to-find components to meet their specific needs.

With the principle of “Quality Parts,Customers Priority,Honest Operation,and Considerate Service”,our business mainly focus on the distribution of electronic components. Line cards we deal with include Microchip,ALPS,ROHM,Xilinx,Pulse,ON,Everlight and Freescale. Main products comprise IC,Modules,Potentiometer,IC Socket,Relay,Connector.Our parts cover such applications as commercial,industrial, and automotives areas.

We are looking forward to setting up business relationship with you and hope to provide you with the best service and solution. Let us make a better world for our industry!



## Contact us

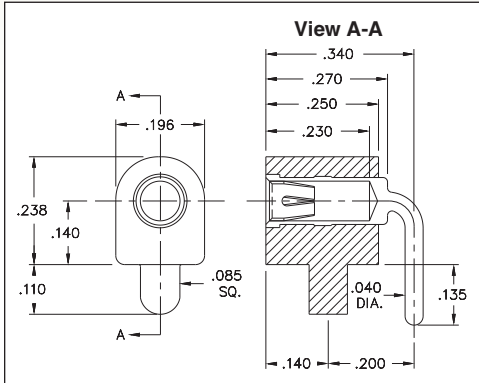
Tel: +86-755-8981 8866 Fax: +86-755-8427 6832

Email & Skype: info@chipsmall.com Web: www.chipsmall.com

Address: A1208, Overseas Decoration Building, #122 Zhenhua RD., Futian, Shenzhen, China



## SERIES 395...3XX • RIGHT ANGLE SOCKET • TEST POINT



- Available to accept 3 pin sizes: 1, 1.5, & 2mm
- Uses high temperature PCT polyester insulator
- Standard insulator color is black
- For Electrical, Mechanical and Environmental Data, see page 264 for details



Pin Size	ORDERING INFORMATION						
1.0mm	395-XX-101-34-340000						
1.5mm	395-XX-101-03-380000						
2.0mm	395-XX-101-07-350000						
	<p><b>RECOMMENDED MOUNTING HOLES</b></p> <p>Ø.110±.003 DRILLED or PLATED THROUGH-HOLE</p> <p>Ø.045±.003 PLATED THROUGH-HOLE</p> <p>.200</p> <p style="border: 1px solid black; border-radius: 50%; padding: 5px; display: inline-block;">XX=Plating Code See Below</p> <div style="border: 1px solid black; padding: 5px; display: inline-block; color: white; background-color: #76b82a; width: 40px; height: 40px; transform: rotate(45deg); margin-left: 20px;">             RoHS-2 2011/65/EU         </div>						
<b>SPECIFY PLATING CODE XX =</b>	13 <span style="color: green;">◆</span>		93				
Sleeve (Pin)	10 μ" Au		200 μ" Sn/Pb				
Contact (Clip)	30 μ" Au		30 μ" Au				