



Chipsmall Limited consists of a professional team with an average of over 10 year of expertise in the distribution of electronic components. Based in Hongkong, we have already established firm and mutual-benefit business relationships with customers from,Europe,America and south Asia,supplying obsolete and hard-to-find components to meet their specific needs.

With the principle of "Quality Parts,Customers Priority,Honest Operation,and Considerate Service",our business mainly focus on the distribution of electronic components. Line cards we deal with include Microchip,ALPS,ROHM,Xilinx,Pulse,ON,Everlight and Freescale. Main products comprise IC,Modules,Potentiometer,IC Socket,Relay,Connector.Our parts cover such applications as commercial,industrial, and automotives areas.

We are looking forward to setting up business relationship with you and hope to provide you with the best service and solution. Let us make a better world for our industry!



Contact us

Tel: +86-755-8981 8866 Fax: +86-755-8427 6832

Email & Skype: info@chipsmall.com Web: www.chipsmall.com

Address: A1208, Overseas Decoration Building, #122 Zhenhua RD., Futian, Shenzhen, China





CONCEALED HINGE



Version 1 & 2*



Version 3 & 4

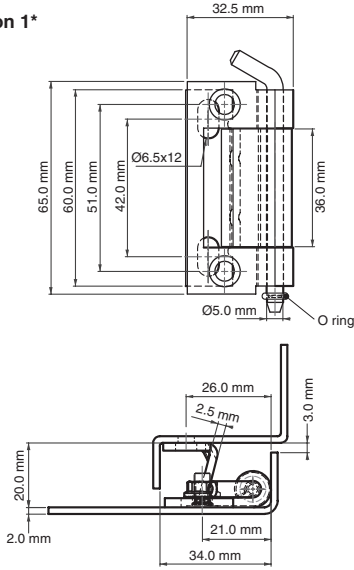
Specifications

- Material: Steel
- Finish: Zinc plated

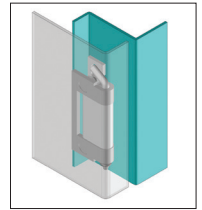
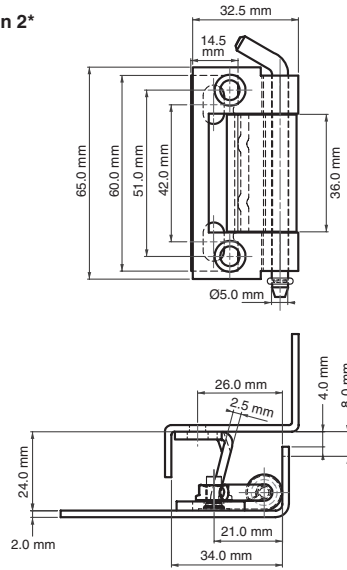
Features

- For doors with a bend of between 20 mm and 24 mm*
- Frame part screwed on, door part welded on
- Suitable for left-hand and right-hand application
- Applications: Electric panels, machinery covers

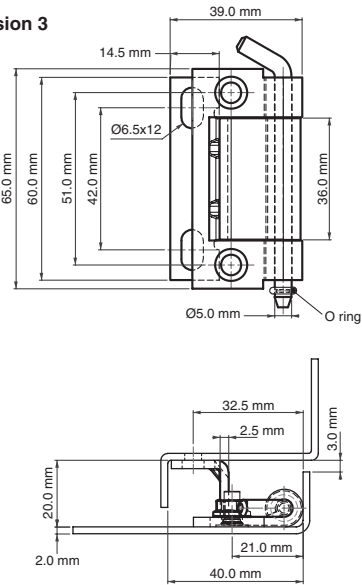
Version 1*



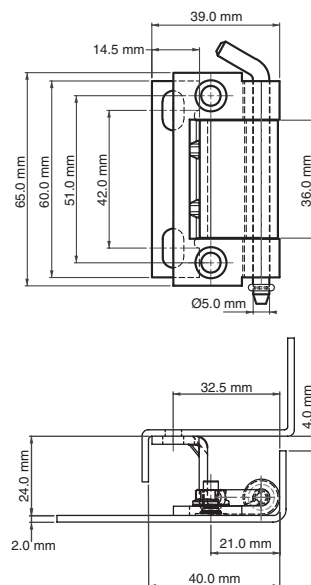
Version 2*



Version 3



Version 4



Hinge Rotation Angle



Item Number	Hinge Rotation	Material	Finish	Version
395631	120°	Steel	Zinc	1
395632	120°	Steel	Zinc	2
395633	120°	Steel	Zinc	3
395634	120°	Steel	Zinc	4

Note: Bolts are not supplied