

Chipsmall Limited consists of a professional team with an average of over 10 year of expertise in the distribution of electronic components. Based in Hongkong, we have already established firm and mutual-benefit business relationships with customers from,Europe,America and south Asia,supplying obsolete and hard-to-find components to meet their specific needs.

With the principle of “Quality Parts,Customers Priority,Honest Operation,and Considerate Service”,our business mainly focus on the distribution of electronic components. Line cards we deal with include Microchip,ALPS,ROHM,Xilinx,Pulse,ON,Everlight and Freescale. Main products comprise IC,Modules,Potentiometer,IC Socket,Relay,Connector.Our parts cover such applications as commercial,industrial, and automotives areas.

We are looking forward to setting up business relationship with you and hope to provide you with the best service and solution. Let us make a better world for our industry!

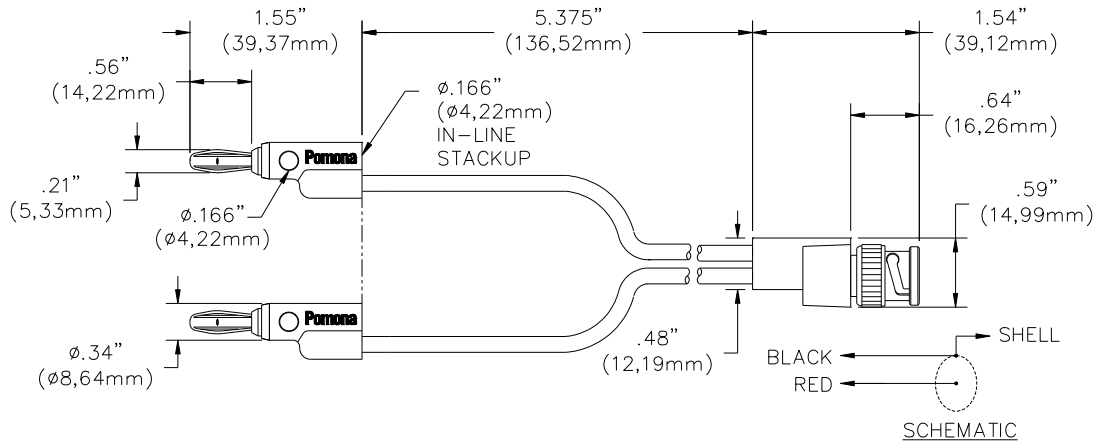


Contact us

Tel: +86-755-8981 8866 Fax: +86-755-8427 6832

Email & Skype: info@chipsmall.com Web: www.chipsmall.com

Address: A1208, Overseas Decoration Building, #122 Zhenhua RD., Futian, Shenzhen, China



FEATURES:

- Converts BNC (Female) cables/connectors to top/side stackable banana plugs for test versatility.
- BNC connector and banana plugs are molded directly to the wire for pull strength durability and dust/moisture resistance.
- BNC dielectric is PTFE for superior temperature performance
- BNC center contact is gold plated for corrosion resistance, low contact resistance and long insertion life.

MATERIALS:

BNC: Body - Brass, Nickel Plated

Center Contact – Brass, Gold Plated.

Dielectric: PTFE

Wire: 18 AWG, Stranding 65 x 36 T.C., PVC Insulated, .144" (3,66mm) O.D., Color matches banana plugs

Marking: "POMONA 3957"

Banana Plugs: Body – Brass Nickel Plated

Spring – Beryllium Copper, Nickel Plated

Insulation: Polypropylene Color: One Red, One Black

RATINGS:

Operating Voltage: Hand-Held testing: 30VAC/60VDC Max.

Hands free testing in controlled voltage environments: 500 VRMS Max.

Operating Temperature: +55°C (+131°F) Max.

ORDERING INFORMATION: Model 3957

Custom lengths are available, contact Pomona Technical support: 800-241-2060

(Technicalsupport@pomonatest.com)

All dimensions are in inches. Tolerances (except noted): .xx = ±.02" (.51 mm), .xxx = ±.005" (.127 mm).

All specifications are to the latest revisions. Specifications are subject to change without notice.

Registered trademarks are the property of their respective companies.

Sales: 800-490-2361 Fax: 888-403-3360 Technical Assistance: 800-241-2060

For "Where to Buy" information, visit the Pomona web site at www.pomonaelectronics.com