



Chipsmall Limited consists of a professional team with an average of over 10 year of expertise in the distribution of electronic components. Based in Hongkong, we have already established firm and mutual-benefit business relationships with customers from,Europe,America and south Asia,supplying obsolete and hard-to-find components to meet their specific needs.

With the principle of “Quality Parts,Customers Priority,Honest Operation,and Considerate Service”,our business mainly focus on the distribution of electronic components. Line cards we deal with include Microchip,ALPS,ROHM,Xilinx,Pulse,ON,Everlight and Freescale. Main products comprise IC,Modules,Potentiometer,IC Socket,Relay,Connector.Our parts cover such applications as commercial,industrial, and automotives areas.

We are looking forward to setting up business relationship with you and hope to provide you with the best service and solution. Let us make a better world for our industry!



## Contact us

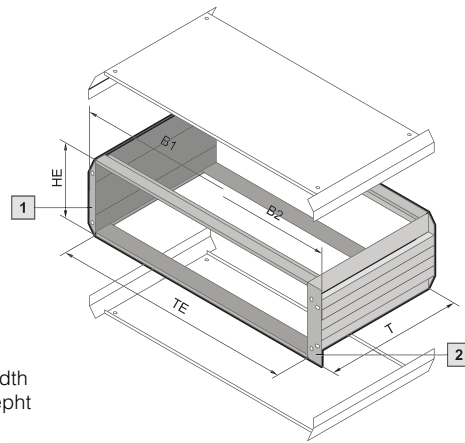
Tel: +86-755-8981 8866 Fax: +86-755-8427 6832

Email & Skype: info@chipsmall.com Web: www.chipsmall.com

Address: A1208, Overseas Decoration Building, #122 Zhenhua RD., Futian, Shenzhen, China



### Ripac Vario-Module 3 U



B = Width  
T = Depth  
HE = U  
TE = HP

#### Technical specifications:

May be used as a rack-mount enclosure or instrument case. External dimensions to IEC 60 297-1 for installation in 482.6 mm (19") racks. Installation dimensions for board type plug-in assemblies to IEC 60 297-3-101.

#### Material/Surface finish:

Side panels: Extruded aluminum section, spray finished in RAL 7035  
Horizontal rails: Extruded aluminum section, clear-chromated  
Corner trims: Die-cast zinc, spray-finished in RAL 7035  
Side trims:

Extruded aluminum section, spray-finished in RAL 7035

#### Protection category:

IP 40 for non-vented version.

#### Supply includes:

2 side panels,  
4 horizontal rails,  
4 threaded inserts,  
2 corner trims,  
assembly parts.

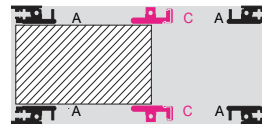
- 1** Equipped as an instrument case
- 2** Equipped as a rack-mount unit

#### Note:

Corner trims, mounting flanges and top and bottom covers must be ordered separately.

#### Horizontal rail configuration

Horizontal rails for further configuration must be ordered separately, see page 100 – 101.



3 U

Ripac Vario-Module	Packs of	3 U							Page
Installation width (TE)		42	42	63	63	84	84	84	
Width (B1) mm		235.6	235.6	342.3	342.3	449.0	449.0	449.0	
Width (B2) mm		251.6	251.6	358.3	358.3	465.1	465.1	465.1	
Depth (T) mm		250.4	310.4	250.4	310.4	250.4	310.4	370.4	
Order No. VM Basic enclosure	1	<b>3982.040</b>	<b>3982.070</b>	<b>3982.050</b>	<b>3982.080</b>	<b>3982.060</b>	<b>3982.090</b>	<b>3982.100</b>	
<b>Also required</b>									
Top covers									
– with vent holes	1	<b>3982.941</b>	<b>3982.951</b>	<b>3982.942</b>	<b>3982.952</b>	<b>3982.940</b>	<b>3982.950</b>	<b>3982.960</b>	77
– without vent holes	1	<b>3982.901</b>	<b>3982.911</b>	<b>3982.902</b>	<b>3982.912</b>	<b>3982.900</b>	<b>3982.910</b>	<b>3982.920</b>	77
Bottom covers									
– with vent holes	1	<b>3982.741</b>	<b>3982.751</b>	<b>3982.742</b>	<b>3982.752</b>	<b>3982.740</b>	<b>3982.750</b>	<b>3982.760</b>	77
– without vent holes	1	<b>3982.701</b>	<b>3982.711</b>	<b>3982.702</b>	<b>3982.712</b>	<b>3982.700</b>	<b>3982.710</b>	<b>3982.720</b>	77
Front corner trims for assembly as instrument case	2	<b>3981.310</b>	<b>3981.310</b>	<b>3981.310</b>	<b>3981.310</b>	<b>3981.310</b>	<b>3981.310</b>	<b>3981.310</b>	78
Flanges for configuration as rack-mount									
– without handle holes	2	<b>3981.210</b>	<b>3981.210</b>	<b>3981.210</b>	<b>3981.210</b>	<b>3981.210</b>	<b>3981.210</b>	<b>3981.210</b>	78
– with handle holes	2	<b>3981.260</b>	<b>3981.260</b>	<b>3981.260</b>	<b>3981.260</b>	<b>3981.260</b>	<b>3981.260</b>	<b>3981.260</b>	78
<b>Accessories</b>									
Front/rear panels		see page 135 – 150							
Carrying handles	2	<b>3981.350</b>	<b>3981.360</b>	<b>3981.350</b>	<b>3981.360</b>	<b>3981.350</b>	<b>3981.360</b>	<b>3981.370</b>	78
Front handles <sup>1)</sup>	2	<b>3636.010</b>	<b>3636.010</b>	<b>3636.010</b>	<b>3636.010</b>	<b>3636.010</b>	<b>3636.010</b>	<b>3636.010</b>	104
Rear adjustable feet	4	<b>3901.000</b>	<b>3901.000</b>	<b>3901.000</b>	<b>3901.000</b>	<b>3901.000</b>	<b>3901.000</b>	<b>3901.000</b>	79

<sup>1)</sup> Only in conjunction with mounting flanges with handle holes.